

FED. ROAD DIST. NO.	STATE	PROJ. NO.	FISCAL YEAR	SHEET NO.	TOTAL SHEETS
HAWAII	HAW.	7101A-01-20	2021	ADD. 350	

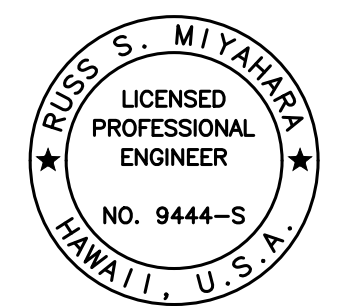
DRAWING NAME: Z:\A\00\CONDOINGS\20-013-FARR-HWY-KAPOLEI\GG-10-11-WP-EMT\01-CAD\06-06-21-ADD1-DELTA2\EMHS-S&I\01-HDR-LAYOUT-ADD1.DWG
 PLOT TIME: 06-06-22, 12:05 PM

SURVEY PLOTTED BY	DATE
DRAWN BY	
DESIGNED BY	
QUANTITIES BY	
CHECKED BY	
ORIGINAL PLAN	
NOTE BOOK	
No.	

Notes:

- Contractor is responsible for determining the limits and providing all necessary earthwork shoring to facilitate the staged construction requirements of the bridge. Shoring design shall take in to account grade differences between the staged backfilling operations as well as the location of and load imposed by the nearby existing metal guardrails.
- Earthwork shoring near existing HART piers may be required during structure excavation work
- The Contractor shall submit working drawings and calculations for the shoring design. The drawings and calculations shall be stamped by a licensed Structural Engineer and a licensed Civil Engineer specializing in Geotechnical Engineering in the State of Hawaii. The drawings and calculations shall be reviewed by the Engineer before any construction work is to proceed.
- Dimensions for approach slab and sleeper slab are measured parallel with ϕ bridge.

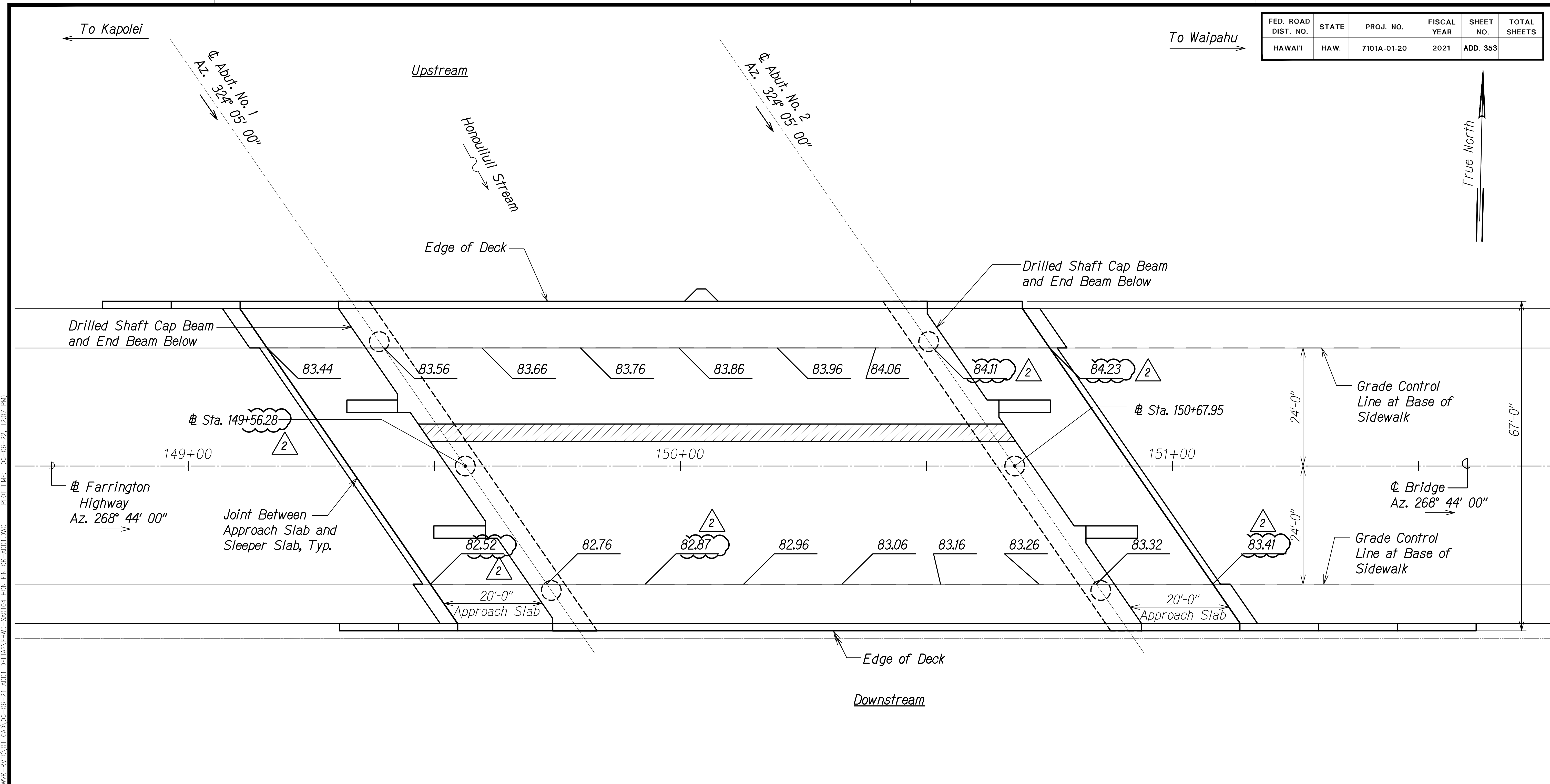
LAYOUT PLAN A
 Scale: 1" = 10'-0"



THIS WORK WAS PREPARED BY ME OR UNDER MY SUPERVISION AND CONSTRUCTION OF THIS PROJECT WILL BE UNDER MY OBSERVATION.
 Signature: *Ruges S. Miyahara*
 April 30, 2024
 EXPIRATION DATE OF THE LICENSE

06/08/22	2	Revised Station and Azimuth
DATE	REVISION	
STATE OF HAWAII DEPARTMENT OF TRANSPORTATION HIGHWAYS DIVISION Honouliuli Stream Bridge Layout Plan FARRINGTON HIGHWAY WIDENING Kapolei Golf Course Road to Fort Weaver Road Project No. 7101A-01-20		
Scale: As Shown	Date: Apr. 2022	
SHEET No. SA1.1 OF 4 SHEETS		

FED. ROAD DIST. NO.	STATE	PROJ. NO.	FISCAL YEAR	SHEET NO.	TOTAL SHEETS
HAWAII	HAW.	7101A-01-20	2021	ADD. 353	



DRAWING NAME: Z:\A\00\CONDOINGS\20-013-FARR-HWY-KAPOLEI\GC_ID_ET_WPG-EMTC\01-CAD\06-06-21-ADD1-DELTA2\FHW3-S&I\04-HON_HFIN_GR-ADD1.DWG PLOT TIME: 06-06-22 12:07 PM

SURVEY PLOTTED BY	DATE
DRAWN BY	
DESIGNED BY	
QUANTITIES BY	
CHECKED BY	
ORIGINAL PLAN	
NOTE BOOK	
No.	

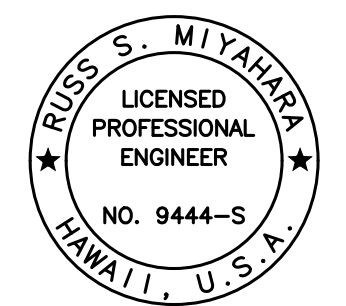
Legend:

Closure Pour in Bridge Deck, End Beam and Corbel

Note:

Off the bridge, finish grades are given at the joint between the approach slab and sleeper slab. On the bridge deck, finish grades are given at each centerline abutment and at 20 foot intervals measured parallel to Farrington Highway baseline along the bottom of sidewalk starting at centerline Abutment No. 1.

FINISH GRADE PLAN A
Scale: 1" = 10'-0" SA1.4 SA1.4



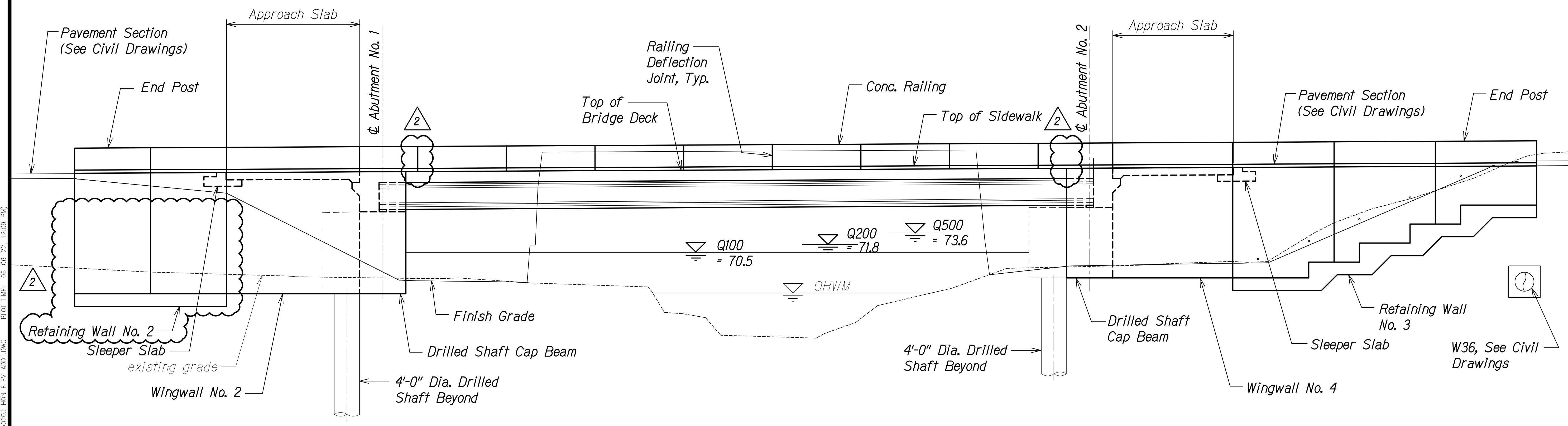
THIS WORK WAS PREPARED BY ME OR UNDER MY SUPERVISION AND CONSTRUCTION OF THIS PROJECT WILL BE UNDER MY OBSERVATION.
Rugo S. Miyahara
SIGNATURE April 30, 2024 EXPIRATION DATE OF THE LICENSE

06/08/22	2 Revised Station and Elevation
DATE	REVISION
STATE OF HAWAII DEPARTMENT OF TRANSPORTATION HIGHWAYS DIVISION	
Honouliuli Stream Bridge Finish Grade Plan	
FARRINGTON HIGHWAY WIDENING Kapolei Golf Course Road to Fort Weaver Road Project No. 7101A-01-20	
Scale: As Shown	Date: Apr. 2022
SHEET No. SA14 OF 4 SHEETS	

FED. ROAD DIST. NO.	STATE	PROJ. NO.	FISCAL YEAR	SHEET NO.	TOTAL SHEETS
HAWAII	HAW.	7101A-01-20	2021	ADD. 356	

To Kapolei ←

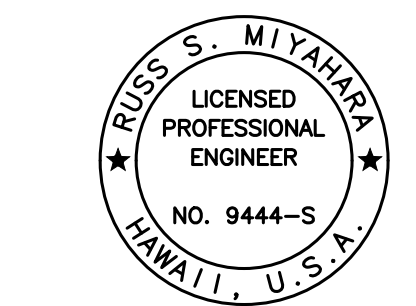
→ To Waipahu



DOWNSTREAM ELEVATION
 Scale: 1/8" = 1'-0"
 A
 SA2.3 SA2.3

SURVEY PLOTTED BY	DATE
DRAWN BY	
DESIGNED BY	
QUANTITIES BY	
CHECKED BY	
ORIGINAL PLAN	
NOTE BOOK	
No.	

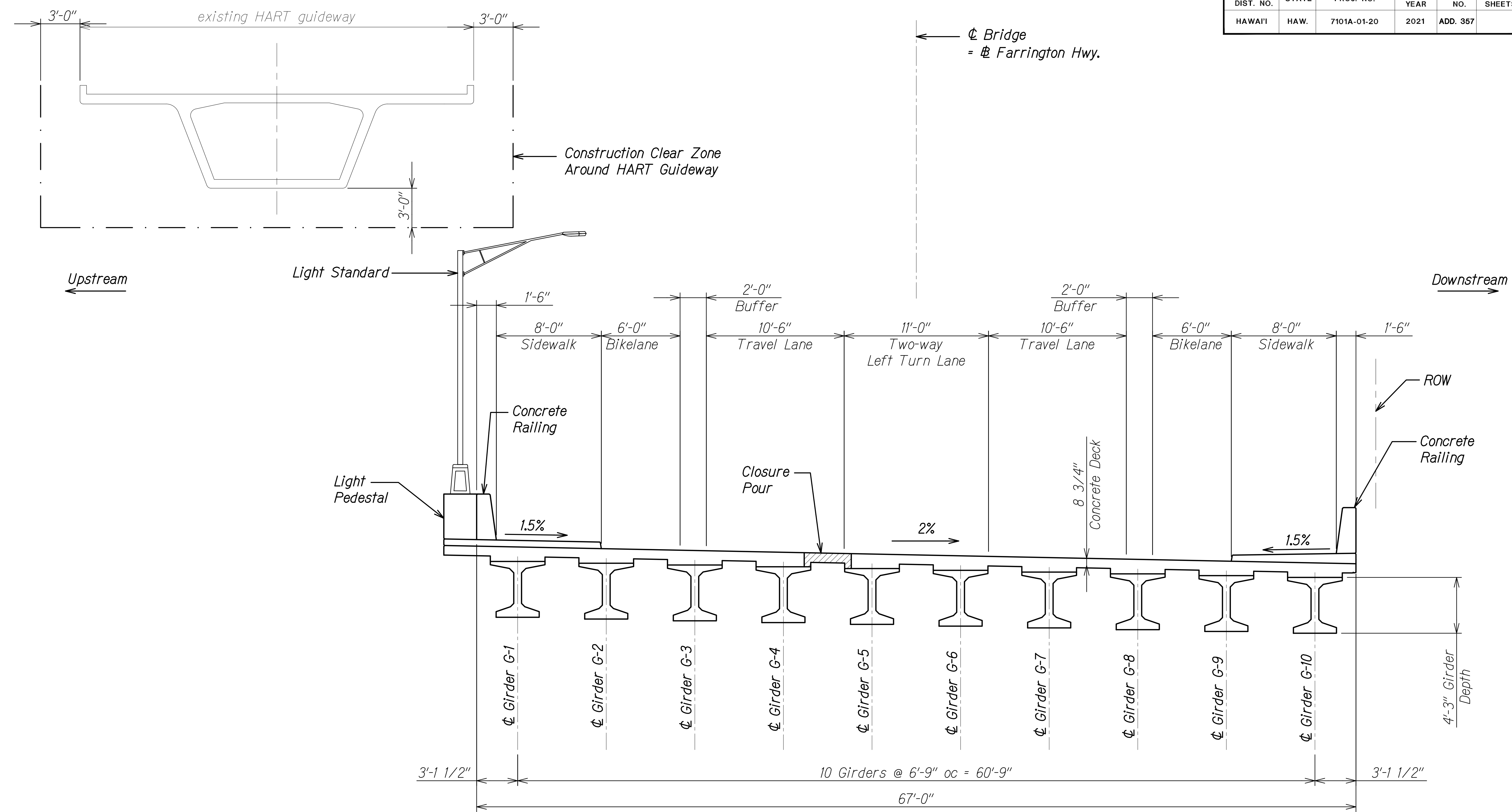
DRAWING NAME: Z:\100_ONGOING\20-013-FARR-HWY-KAPOLEI\06-10-21-WP-EMTC\01-CAD\06-06-21-ADD1-DELTA2\HWY-S40203-HIGH-ELEV-ADD1.DWG PLOT TIME: 06-06-22, 12:09 PM



THIS WORK WAS PREPARED BY ME OR UNDER MY SUPERVISION AND CONSTRUCTION OF THIS PROJECT WILL BE UNDER MY OBSERVATION.
 Signature: *Rugo S. Miyakawa*
 April 30, 2024
 EXPIRATION DATE OF THE LICENSE

06/08/22	2	Lowered Wall Footing
DATE		REVISION
STATE OF HAWAII DEPARTMENT OF TRANSPORTATION HIGHWAYS DIVISION Honouliuli Stream Bridge Downstream Elevation FARRINGTON HIGHWAY WIDENING Kapolei Golf Course Road to Fort Weaver Road Project No. 7101A-01-20		
Scale: As Shown	Date: Apr. 2022	
SHEET No. SA2.3 OF 6 SHEETS		

FED. ROAD DIST. NO.	STATE	PROJ. NO.	FISCAL YEAR	SHEET NO.	TOTAL SHEETS
HAWAII	HAW.	7101A-01-20	2021	ADD. 357	

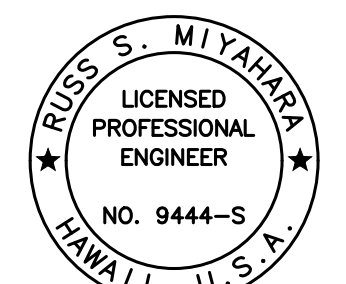


ORIGINAL PLAN	DATE
DRAWN BY	
DESIGNED BY	
QUANTITIES BY	
CHECKED BY	
No.	

DRAWING NAME: Z:\100 ONGOING\20-013-FARR-HWY-KAPOLEI GC ID: ET-WP-RMT\01-GAD\06-06-21-ADD1-DELTA2\HWY3-S40204-HON TRANS SECT-ADD1.DWG PLOT TIME: 06-06-22 12:10 PM

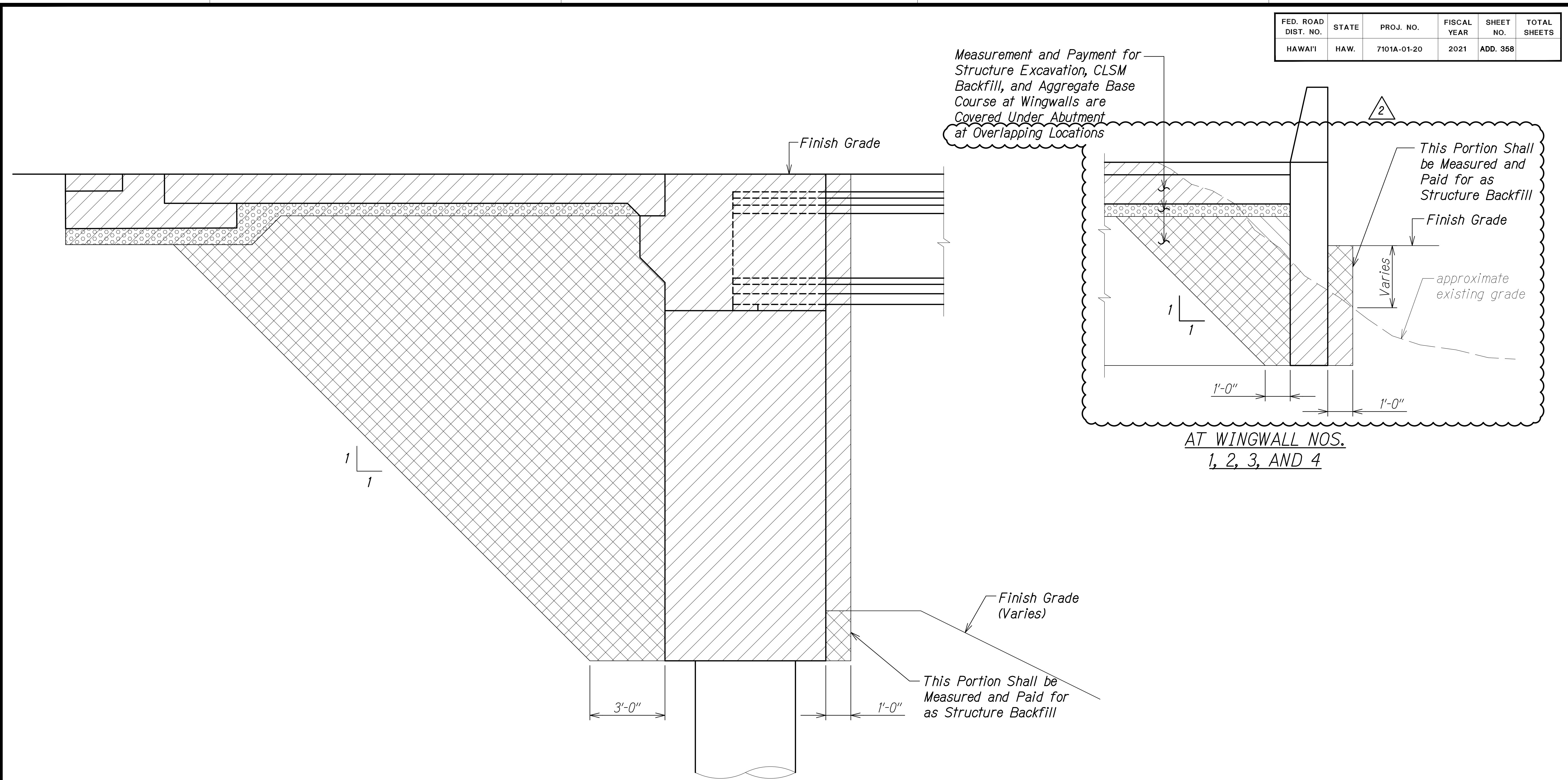
TYPICAL TRANSVERSE SECTION
 Scale: 3/16" = 1'-0"
 SA11 SA2.4
 2

THIS WORK WAS PREPARED BY ME OR UNDER MY SUPERVISION AND CONSTRUCTION OF THIS PROJECT WILL BE UNDER MY OBSERVATION.
 Signature: *Paul S. Miyahara*
 April 30, 2024
 EXPIRATION DATE OF THE LICENSE



06/08/22	2	Revised Sheet Reference
DATE	REVISION	
STATE OF HAWAII DEPARTMENT OF TRANSPORTATION HIGHWAYS DIVISION		
Honouliuli Stream Bridge Typical Transverse Section		
FARRINGTON HIGHWAY WIDENING Kapolei Golf Course Road to Fort Weaver Road Project No. 7101A-01-20		
Scale: As Shown	Date: Apr. 2022	
SHEET No. SA24 OF 6 SHEETS		

FED. ROAD DIST. NO.	STATE	PROJ. NO.	FISCAL YEAR	SHEET NO.	TOTAL SHEETS
HAWAII	HAW.	7101A-01-20	2021	ADD. 358	



SURVEY PLOTTED BY	DATE
DRAWN BY	
DESIGNED BY	
QUANTITIES BY	
CHECKED BY	
ORIGINAL PLAN No.	

DRAWING NAME: Z:\00_ONGOING\20-013-FARR-HWY-KAPOLEI-GC-10-ET-WR-EMTC\01-CAD\06-06-21-ADD1-DETA2\EMTC-S40205-EXC&BACKFILL-ADD1.DWG PLOT TIME: 06-06-22 12:11 PM

- Legend:**
- Structure Excavation
 - CLSM Backfill
 - Aggregate Base Course

Note:
All horizontal dimensions are measured perpendicular to the vertical face.

AT ABUTMENT

STRUCTURE EXCAVATION AND BACKFILL PAY LIMITS SECTIONS
Scale: 1/2" = 1'-0"



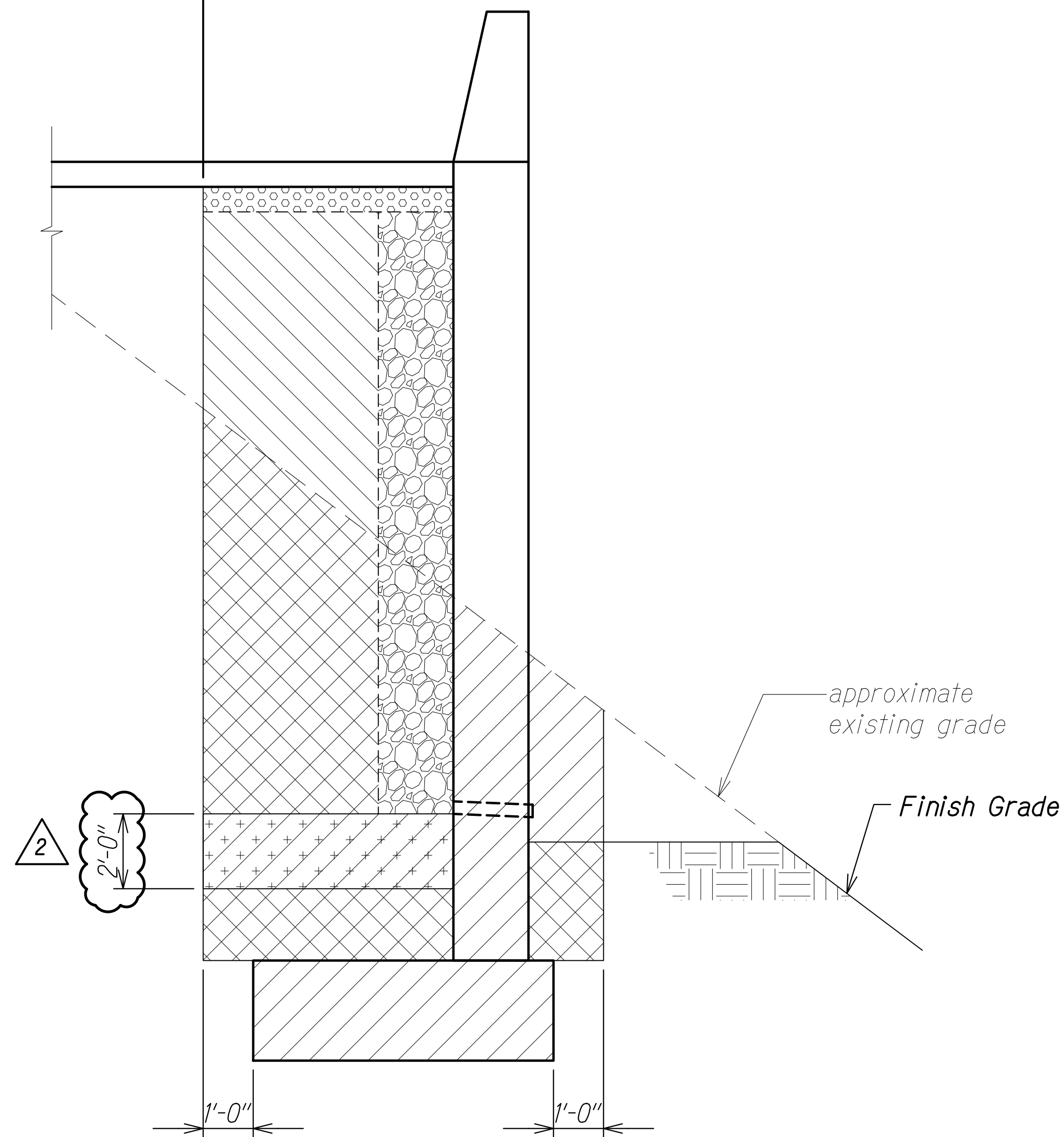
RUGS S. MIYAHARA
LICENSED PROFESSIONAL ENGINEER
NO. 9444-S
HAWAII, U.S.A.

THIS WORK WAS PREPARED BY ME OR UNDER MY SUPERVISION AND CONSTRUCTION OF THIS PROJECT WILL BE UNDER MY OBSERVATION.
SIGNATURE: *Rugs S. Miyahara* EXPIRATION DATE OF THE LICENSE: April 30, 2024

06/08/22	2	Revised Section
DATE	REVISION	
STATE OF HAWAII DEPARTMENT OF TRANSPORTATION HIGHWAYS DIVISION		
Honouliuli Stream Bridge Excavation and Backfill Pay Limits		
FARRINGTON HIGHWAY WIDENING Kapolei Golf Course Road to Fort Weaver Road Project No. 7101A-01-20		
Scale: As Shown	Date: Apr. 2022	
SHEET No. SA25 OF 6 SHEETS		

FED. ROAD DIST. NO.	STATE	PROJ. NO.	FISCAL YEAR	SHEET NO.	TOTAL SHEETS
HAWAII	HAW.	7101A-01-20	2021	ADD. 359	

Pay Limits for Roadway
Excavation and Backfill
(See Civil Drawings)



AT RETAINING WALL NOS. 1, 2, AND 3

**STRUCTURE EXCAVATION AND
BACKFILL PAY LIMITS SECTION**



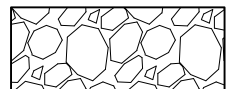
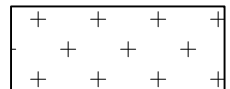
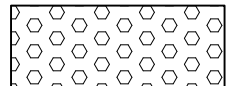
Scale: 1/2" = 1'-0"

A
SA2.6 SA2.6

Notes:

1. All horizontal dimensions are measured perpendicular to the vertical face.
2. Impervious material shall be incidental to the measurement and payment for Structure Backfill for Honouliuli Retaining Walls.

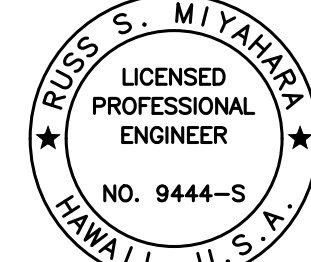
Legend:

-  Structure Excavation
-  Structure Backfill
-  Filter Material w/ Filter Fabric
-  Impervious Material
-  Aggregate Base Course

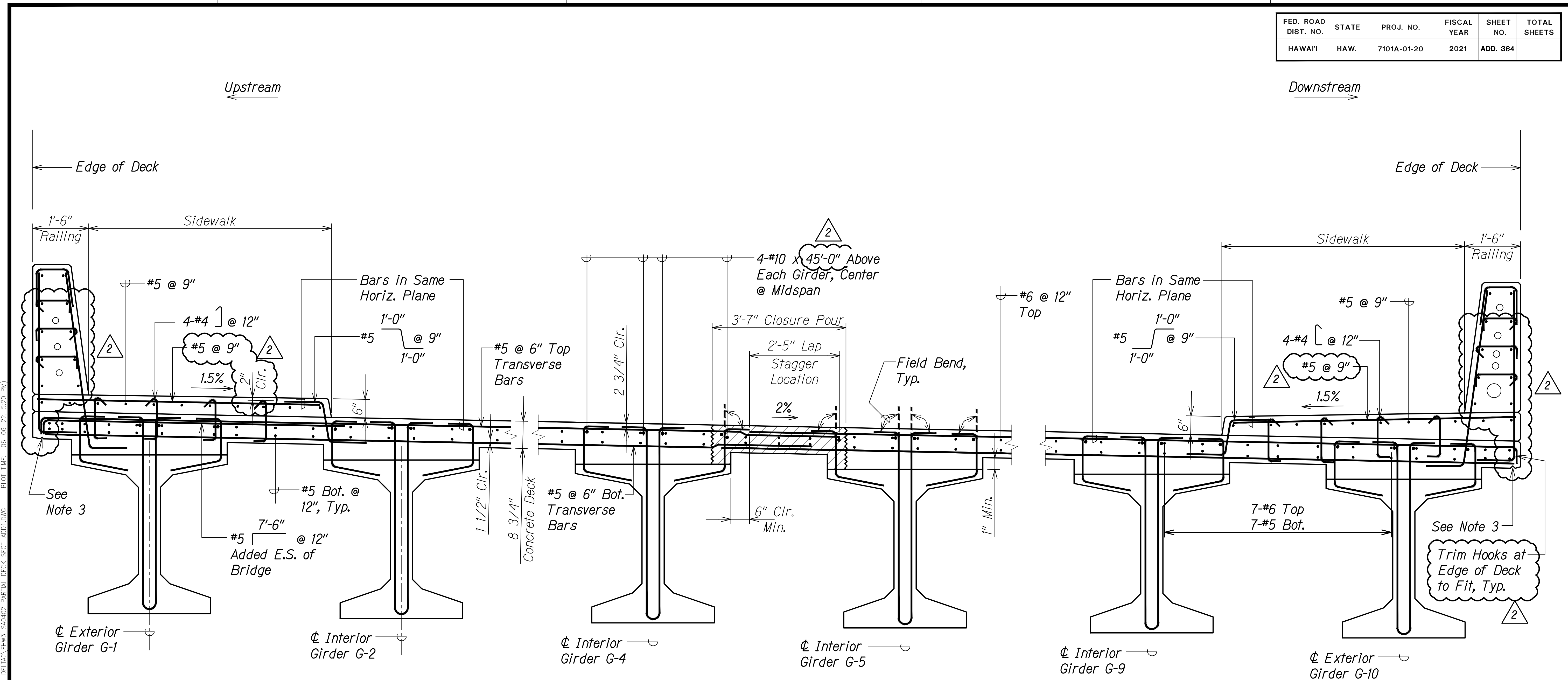
SURVEY PLOTTED BY	DATE
DRAWN BY	
DESIGNED BY	
QUANTITIES BY	
CHECKED BY	
ORIGINAL PLAN	
NOTE BOOK	
No.	

DRAWING NAME: Z:\100 ONGOING\20-013-FARR HWY KAPOLEI GC ID ET WIP-RMTC\01 CAD\06-06-21 ADD1 DELTA2\HWY3-SA2.05 EXC&BACKFILL-ADD1.DWG PLOT TIME: 06-06-22 12:11 PM

06/08/22	2	Added Dimension
DATE	REVISION	
STATE OF HAWAII DEPARTMENT OF TRANSPORTATION HIGHWAYS DIVISION Honouliuli Stream Bridge Excavation and Backfill Pay Limits FARRINGTON HIGHWAY WIDENING Kapolei Golf Course Road to Fort Weaver Road Project No. 7101A-01-20		
Scale: As Shown		Date: Apr. 2022
SHEET No. SA2.6 OF 6 SHEETS		


 THIS WORK WAS PREPARED BY ME OR UNDER MY SUPERVISION AND CONSTRUCTION OF THIS PROJECT WILL BE UNDER MY OBSERVATION.
Rugo S. Miyahara
 SIGNATURE EXPIRATION DATE OF THE LICENSE: April 30, 2024

FED. ROAD DIST. NO.	STATE	PROJ. NO.	FISCAL YEAR	SHEET NO.	TOTAL SHEETS
HAWAII	HAW.	7101A-01-20	2021	ADD. 364	



**DECK REINFORCING SECTION
AT MID-SPAN (NORMAL TO CL BRIDGE)**
Scale: 3/4" = 1'-0"

A
SA4.2 SA4.2

Notes:

1. See sheet **SA10.1** for railing reinforcing.
2. See sheets SA5.1 through SA5.3 for girder details.
3. See HDOT Standard Plans sheet B-01. Stop drip 6" from face of abutment.

ORIGINAL PLAN	DATE
DRAWN BY	
DESIGNED BY	
QUANTITIES BY	
CHECKED BY	
No.	

DRAWING NAME: Z:\100\ONDONGINS\20-013-FARR-HWY-KAPOLEI-GC-10-ET-WP-RMTC\01-GAD\06-06-21-ADD1-DELTA2\HWY3-SA4.2 PARTIAL DECK SECT-ADD1.DWG PLOT TIME: 06-06-22 5:20 PM

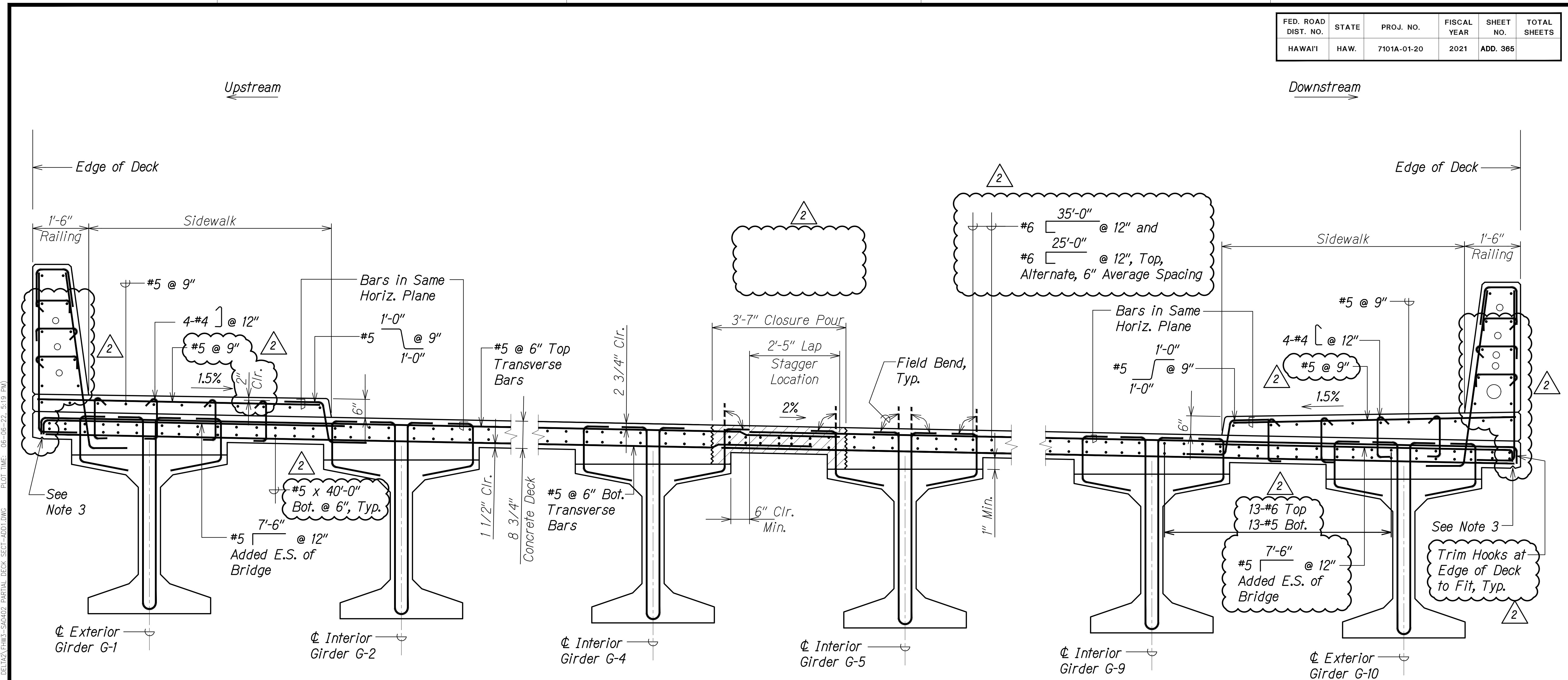
THIS WORK WAS PREPARED BY ME OR UNDER MY SUPERVISION AND CONSTRUCTION OF THIS PROJECT WILL BE UNDER MY OBSERVATION.

Russ S. Miyahara
SIGNATURE

APR 30, 2024
EXPIRATION DATE OF THE LICENSE

06/08/22	2	Revised Details
DATE	REVISION	
STATE OF HAWAII DEPARTMENT OF TRANSPORTATION HIGHWAYS DIVISION Honouliuli Stream Bridge Deck Reinforcing Section FARRINGTON HIGHWAY WIDENING Kapolei Golf Course Road to Fort Weaver Road Project No. 7101A-01-20		
Scale: As Shown	Date: Apr. 2022	
SHEET No. SA4.2 OF 4 SHEETS		

FED. ROAD DIST. NO.	STATE	PROJ. NO.	FISCAL YEAR	SHEET NO.	TOTAL SHEETS
HAWAII	HAW.	7101A-01-20	2021	ADD. 365	



DECK REINFORCING SECTION
NEAR ABUTMENT (NORMAL TO ϕ BRIDGE) A
 Scale: 3/4" = 1'-0" SA4.3 SA4.3

Notes:

1. See sheet SA10.1 for railing reinforcing.
2. See sheets SA5.1 through SA5.3 for girder details.
3. See HDOT Standard Plans sheet B-01. Stop drip 6" from face of abutment.

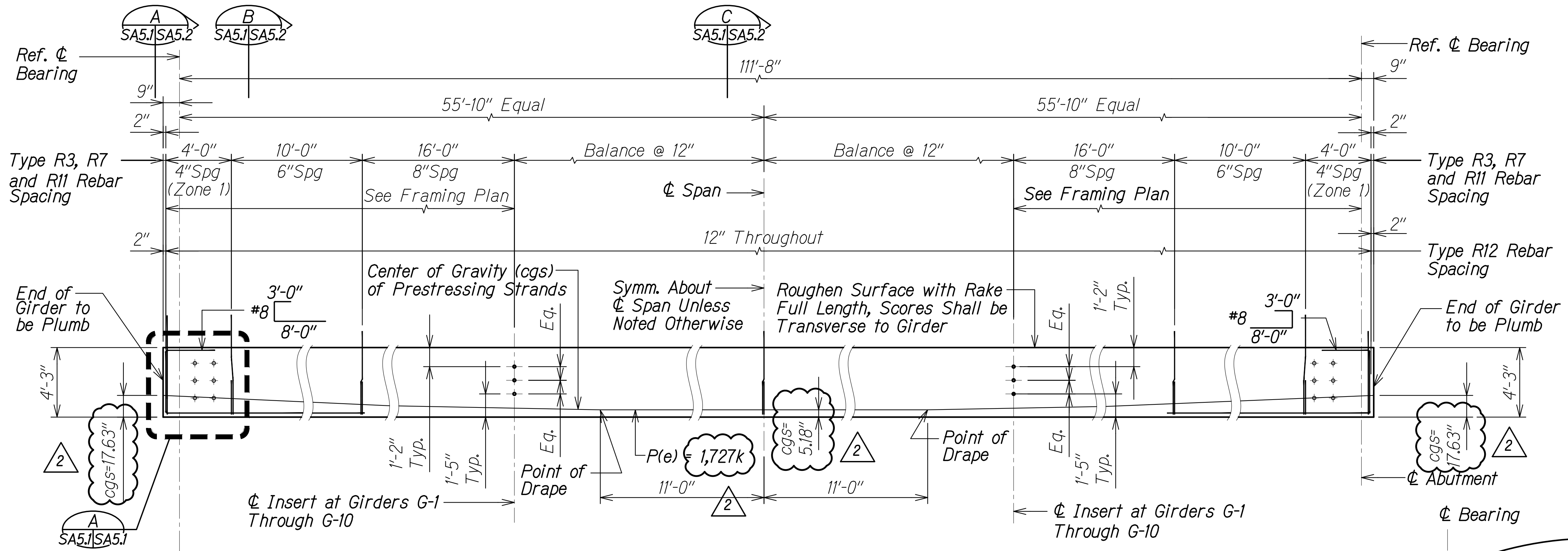
SURVEY PLOTTED BY	DATE
DRAWN BY	
DESIGNED BY	
QUANTITIES BY	
CHECKED BY	
ORIGINAL PLAN	
NOTE BOOK	
No.	

DRAWING NAME: Z:\A00\ONDONGM\20-013-FARR-HWY-KAPOLEI-GC-10-ET-WP2-EMTC\01-GAD\06-06-22-519.PDW PLOT TIME: 06-06-22 5:19 PM

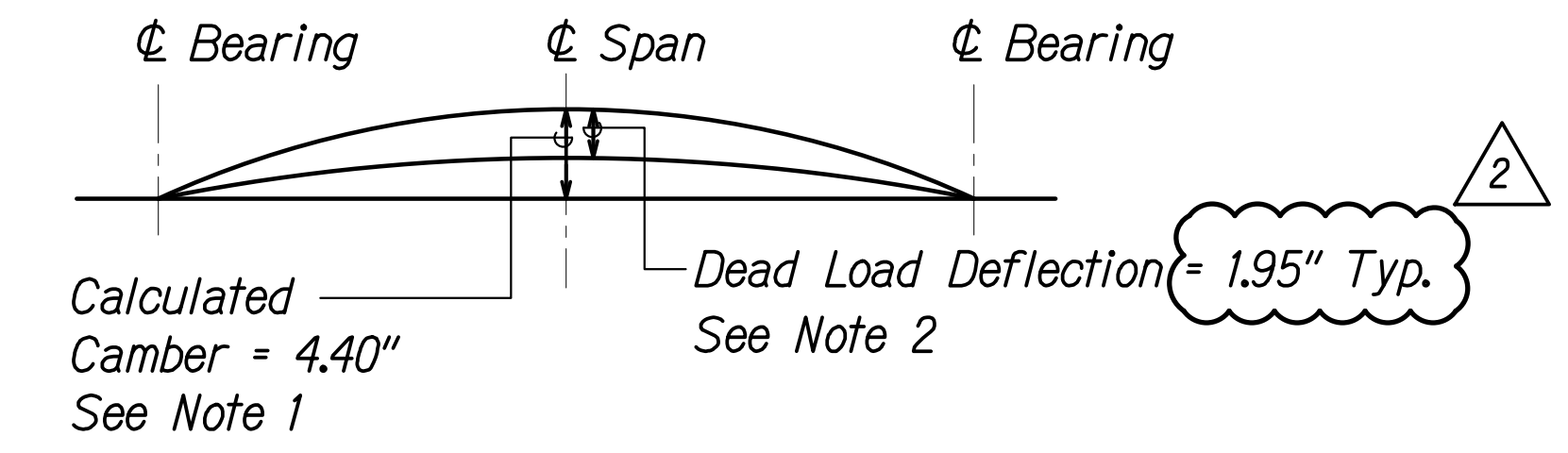
THIS WORK WAS PREPARED BY ME OR UNDER MY SUPERVISION AND CONSTRUCTION OF THIS PROJECT WILL BE UNDER MY OBSERVATION.
 Signature: *Ruges S. Miyahara* April 30, 2024
 EXPIRATION DATE OF THE LICENSE

06/08/22	2 Revised Details
DATE	REVISION
STATE OF HAWAII DEPARTMENT OF TRANSPORTATION HIGHWAYS DIVISION Honouliuli Stream Bridge Deck Reinforcing Section FARRINGTON HIGHWAY WIDENING Kapolei Golf Course Road to Fort Weaver Road Project No. 7101A-01-20	
Scale: As Shown	Date: Apr. 2022
SHEET No. SA4.3 OF 4 SHEETS	

FED. ROAD DIST. NO.	STATE	PROJ. NO.	FISCAL YEAR	SHEET NO.	TOTAL SHEETS
HAWAII	HAW.	7101A-01-20	2021	ADD. 367	



TYPE I PRESTRESSED GIRDER ELEVATION (G-1 THROUGH G-10)
Scale: None



GIRDER CAMBER DIAGRAM
Scale: None

GIRDER CAMBER NOTES:

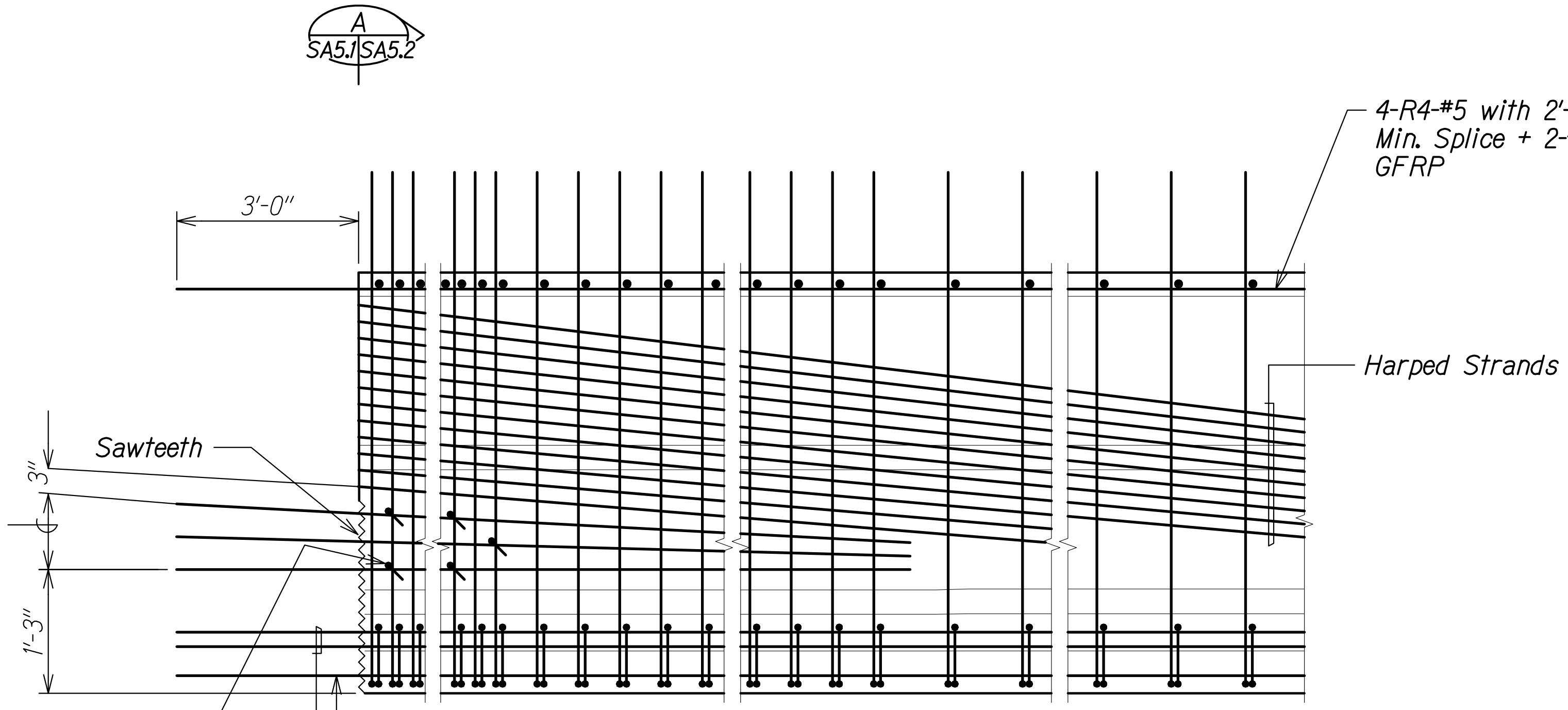
1. The initial camber (2.96") includes the effect of the initial prestress force and the weight of the girder after removal from the bed. The calculated camber value at 60 days is the initial camber multiplied by creep factor to approximate the effect of camber growth and concrete creep. Positive values shown for calculated camber indicate a net upward deflection. Maximum camber immediately prior to erection of girders shall not exceed the calculated camber by more than 1 inch. Girders with cambers exceeding the maximum camber will not be accepted.
2. The dead load deflection includes the combined effects of the weight of slab, drop panels, and diaphragms.
3. Contractor shall camber the deck form work as required to account for the calculated dead load deflection in order to provide the specified finish deck elevations.
4. All cambers and deflections are in inches.
5. Working force is designated as P(e) = Effective prestress force after all losses.

DRAWING NAME: Z:\00_000000\20-013-FARR-HW-KAPOLEI-GC-10-ET-WR-EMT\01-GAD\06-06-21-ADD1-DELTA2\HWIS-S40501-HIGH GIRDER DET-ADD1.DWG PLOT TIME: 06-06-22 12:18 PM

SURVEY PLOTTED BY	DATE
DRAWN BY	
DESIGNED BY	
QUANTITIES BY	
CHECKED BY	
ORIGINAL PLAN No.	
NOTE BOOK No.	

(3) R5-#5 - 2 Eq. Spaces Embed 10'-0" into Girder Splay to Clear Harped Strands

R6-#3 Ties - Stagger Spacing on Alternate Stirrup as Shown in Zone 1



Notes:

1. #8 and 1 1/8" dia. holes are not shown for clarity.
2. See sheet SA5.2 for additional information.

TYPICAL END ELEVATION
Scale: None

DATE	REVISION
06/08/22	2 Revised Details

THIS WORK WAS PREPARED BY ME OR UNDER MY SUPERVISION AND CONSTRUCTION OF THIS PROJECT WILL BE UNDER MY OBSERVATION.

Paul S. Miyahara
APR 30, 2024
EXPIRATION DATE OF THE LICENSE

STATE OF HAWAII
DEPARTMENT OF TRANSPORTATION
HIGHWAYS DIVISION

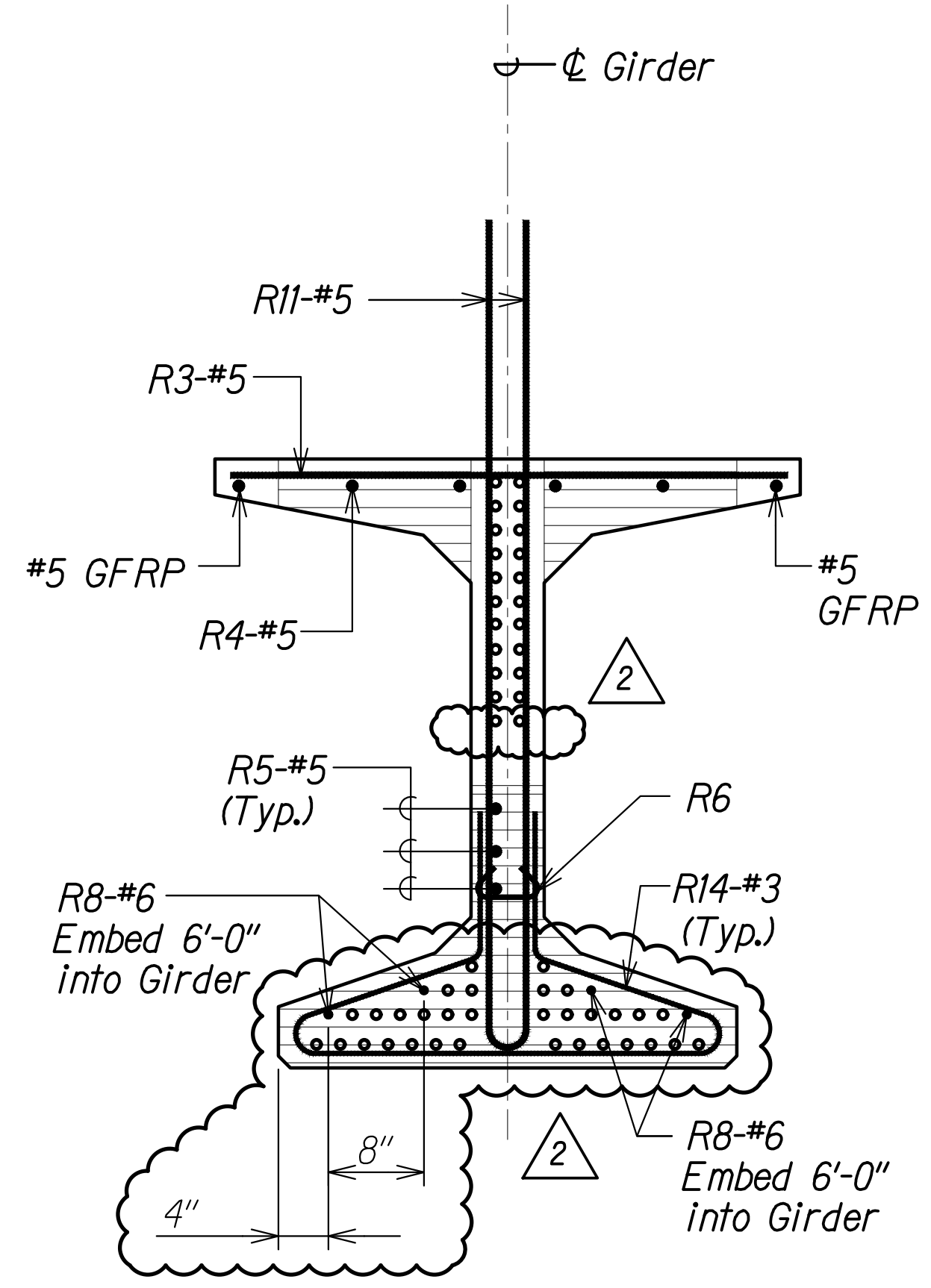
**Honouliuli Stream Bridge
Type I Prestressed Girder**

FARRINGTON HIGHWAY WIDENING
Kapolei Golf Course Road to Fort Weaver Road
Project No. 7101A-01-20

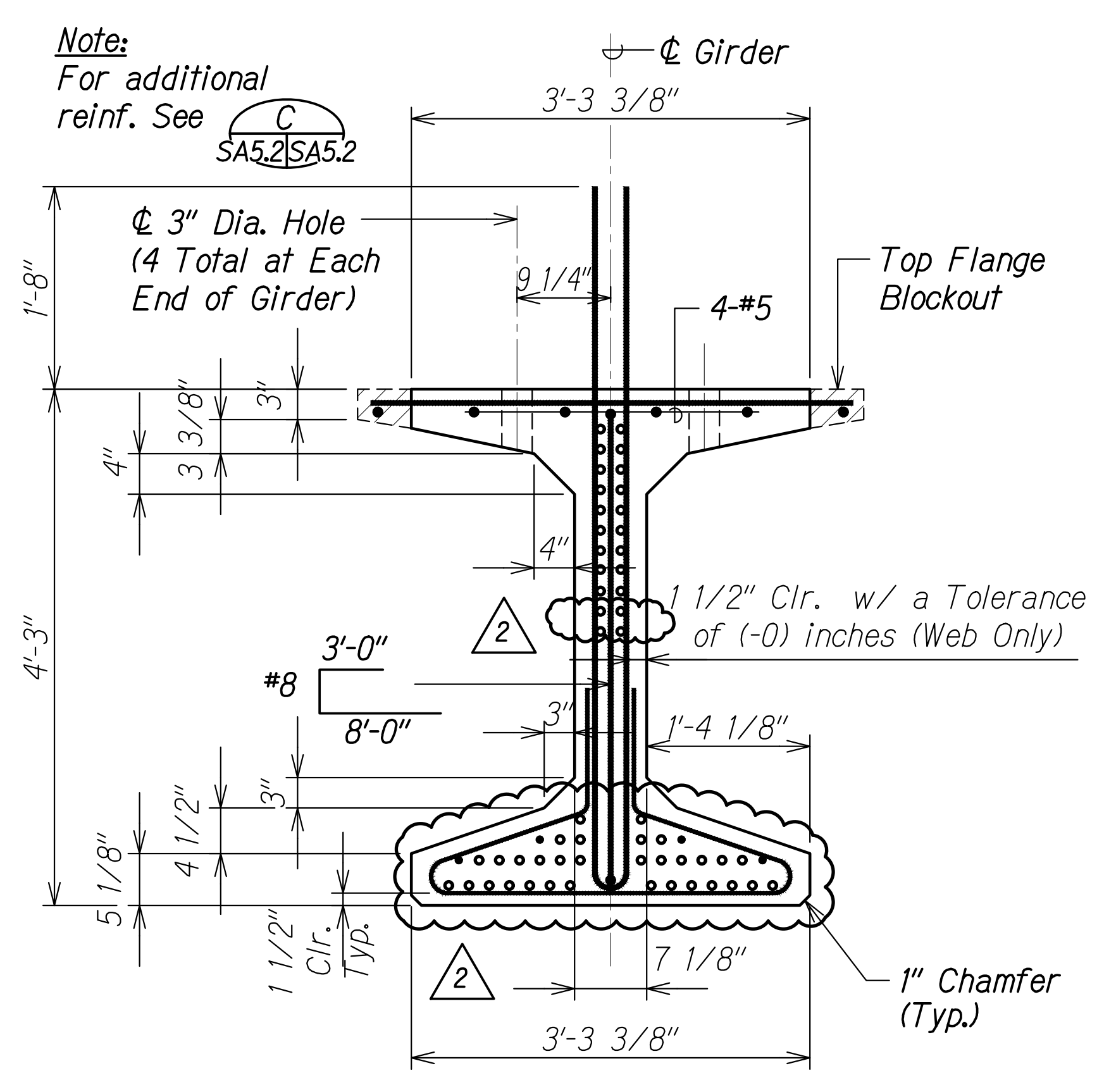
Scale: As Shown Date: Apr. 2022

SHEET No. SA5.1 OF 3 SHEETS

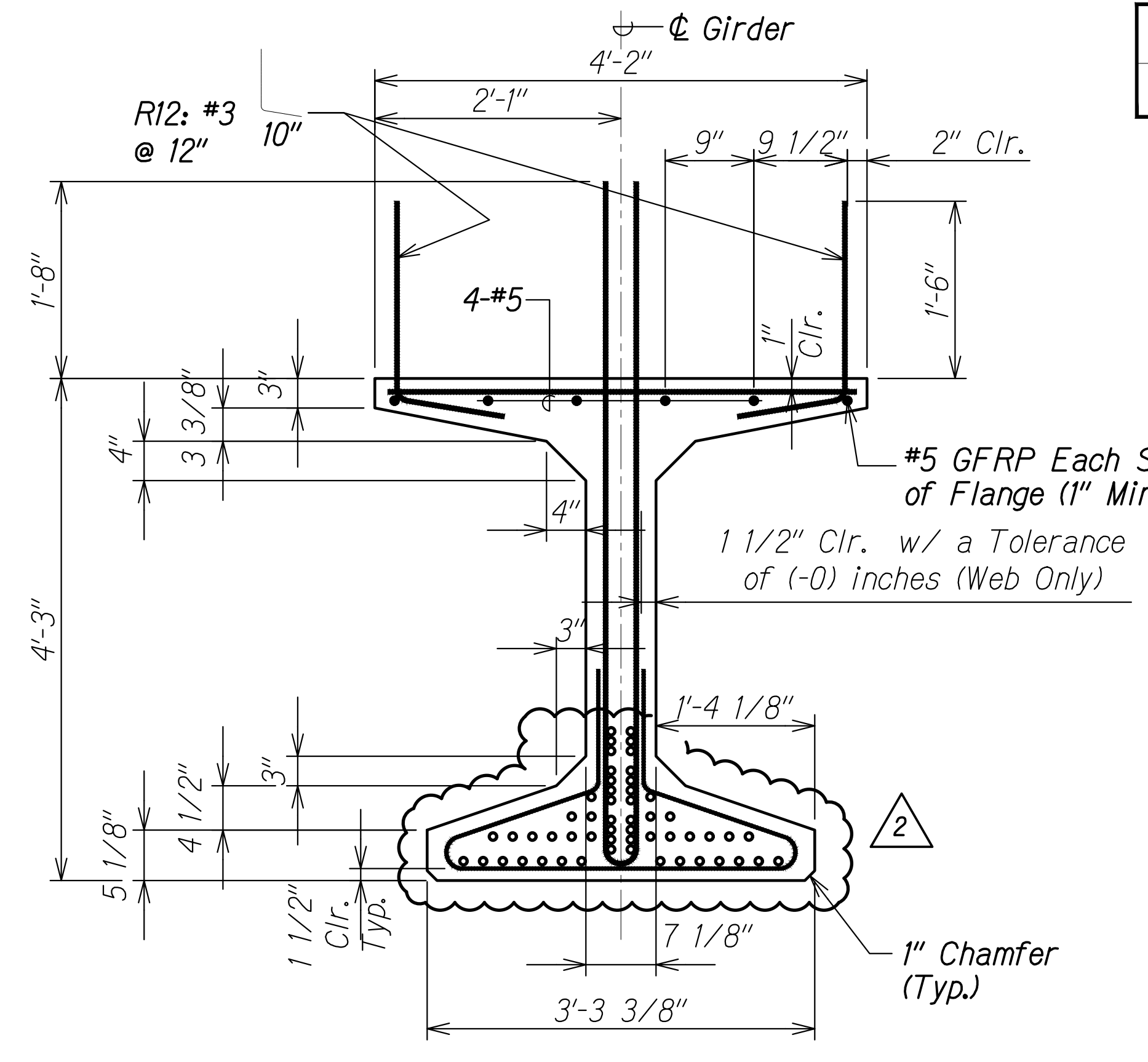
FED. ROAD DIST. NO.	STATE	PROJ. NO.	FISCAL YEAR	SHEET NO.	TOTAL SHEETS
HAWAII	HAW.	7101A-01-20	2021	ADD. 368	



END ELEVATION A
Scale: 1" = 1'-0"
SA5.1 SA5.2

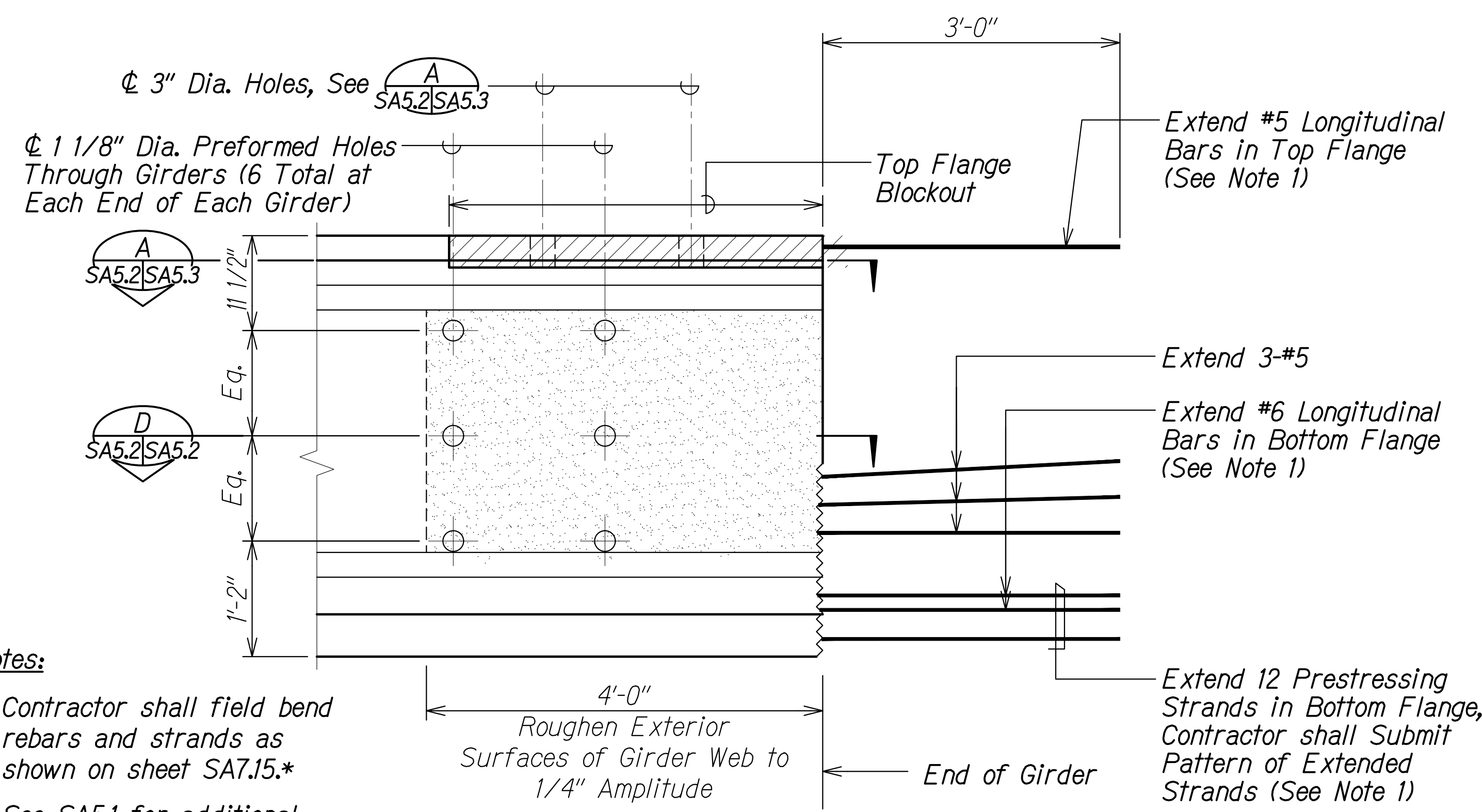


SECTION WITHIN END BEAM B
Scale: 1" = 1'-0"
SA5.1 SA5.2



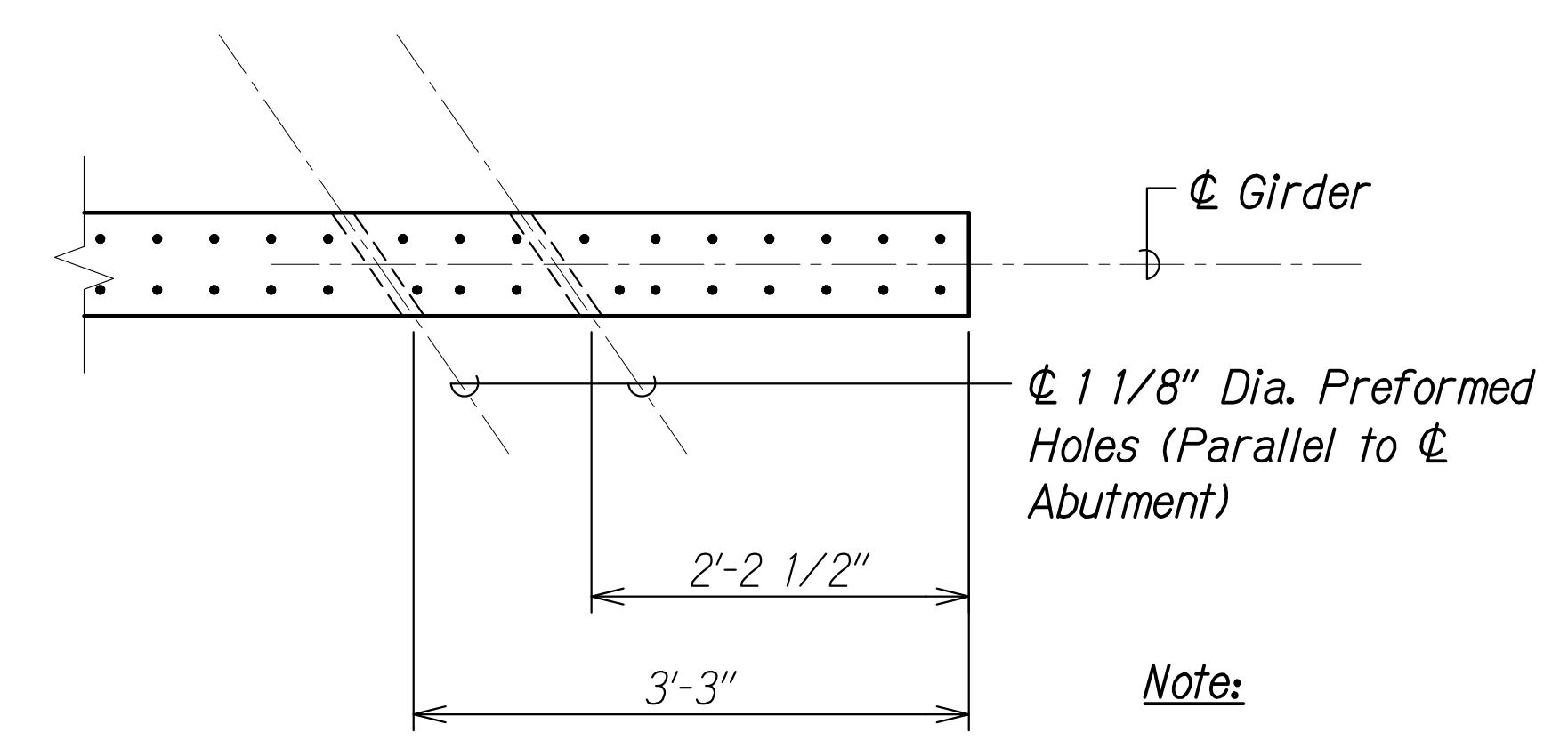
TYPICAL SECTION C
Scale: 1" = 1'-0"
SA5.1 SA5.2

- Notes:**
- Sawteeth shown by hatched area
 - Strands are shown for illustrative purposes only.
 - Type I girders (G-1 Through G-10)
 - For R Type reinforcing see sht. SA5.3
 - See sheet SA5.1 for stirrup spacing.



TYPE I GIRDER END DETAIL 1
Scale: 1" = 1'-0"
SA5.2 SA5.2

- Notes:**
- Contractor shall field bend rebars and strands as shown on sheet SA7.15.*
 - See SA5.1 for additional reinforcing details.



SECTION D
Scale: 1" = 1'-0"
SA5.2 SA5.2

- Note:**
- Rebars adjacent to 1 1/8" Dia. preformed holes may be adjusted a maximum of 1/2" along \bar{C} girder to accommodate the holes.

SURVEY PLOTTED BY	DATE
DRAWN BY	
DESIGNED BY	
QUANTITIES BY	
CHECKED BY	
ORIGINAL PLAN	
NOTE BOOK	
No.	

DRAWING NAME: Z:\00 UNDOINGS\20-013-FARR-HWY-KAPOLEI.GE.ID.IT.WIP-PRINT\01 CAD\06-06-21 ADD1 DELTA2\THW3-SA5051-HIGH GIRDER DET-ADD1.DWG PLOT TIME: 06-06-22 12:19 PM

DATE	REVISION
06/08/22	2 Revised Details

THIS WORK WAS PREPARED BY ME OR UNDER MY SUPERVISION AND CONSTRUCTION OF THIS PROJECT WILL BE UNDER MY OBSERVATION.

Paul S. Miyahara
APR 30, 2024
EXPIRATION DATE OF THE LICENSE

STATE OF HAWAII
DEPARTMENT OF TRANSPORTATION
HIGHWAYS DIVISION

Honouliuli Stream Bridge
Type I Prestressed Girder Sections

FARRINGTON HIGHWAY WIDENING
Kapolei Golf Course Road to Fort Weaver Road
Project No. 7101A-01-20

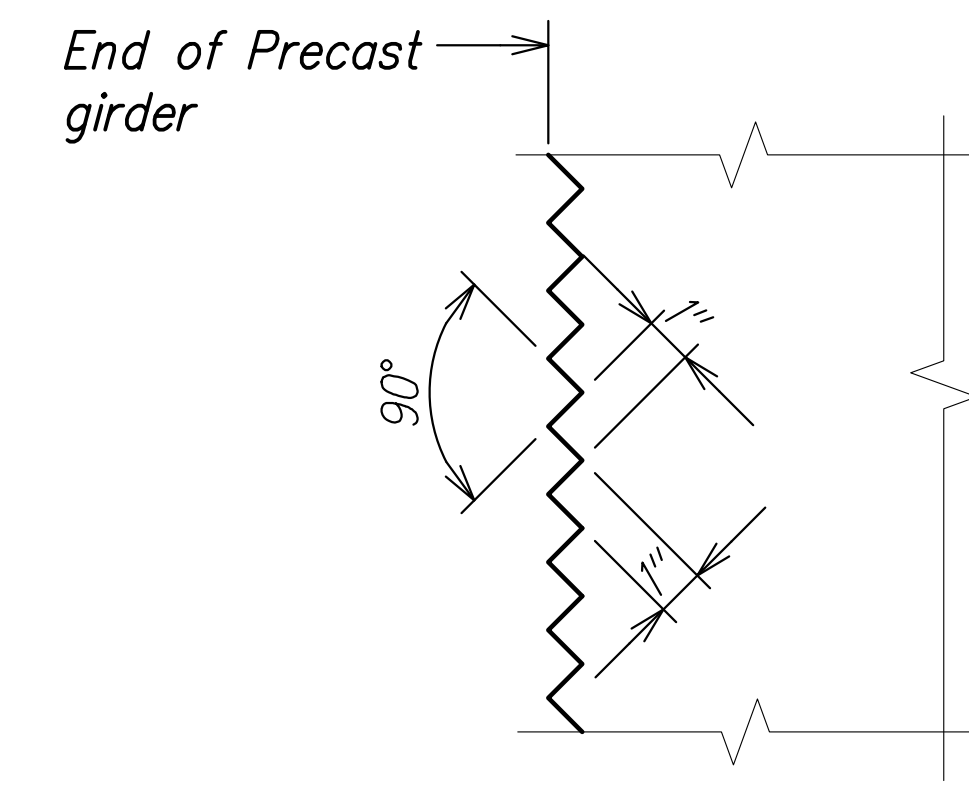
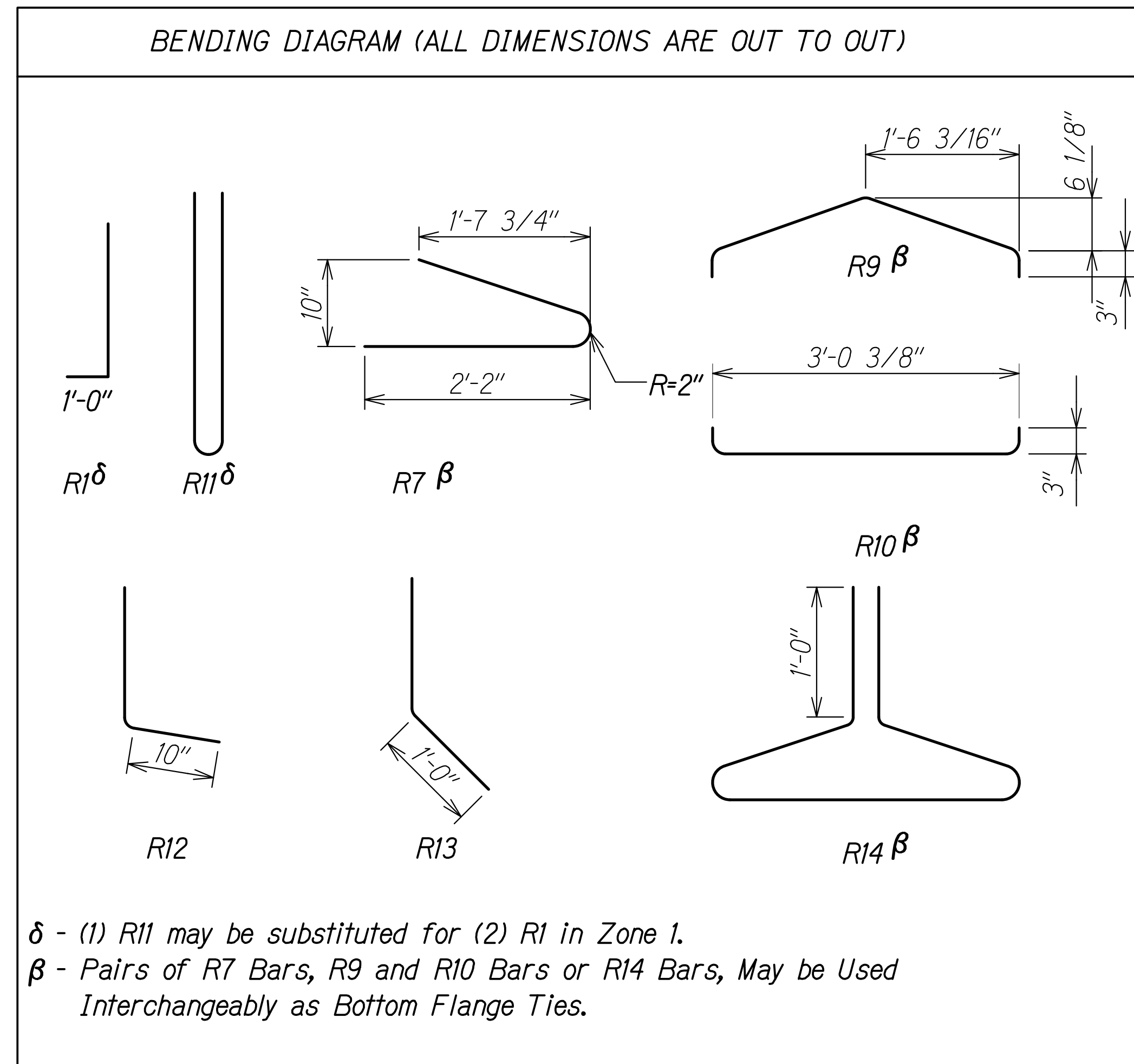
Scale: As Shown Date: Apr. 2022

SHEET No. SA5.2 OF 3 SHEETS

FED. ROAD DIST. NO.	STATE	PROJ. NO.	FISCAL YEAR	SHEET NO.	TOTAL SHEETS
HAWAII	HAW.	7101A-01-20	2021	ADD. 369	

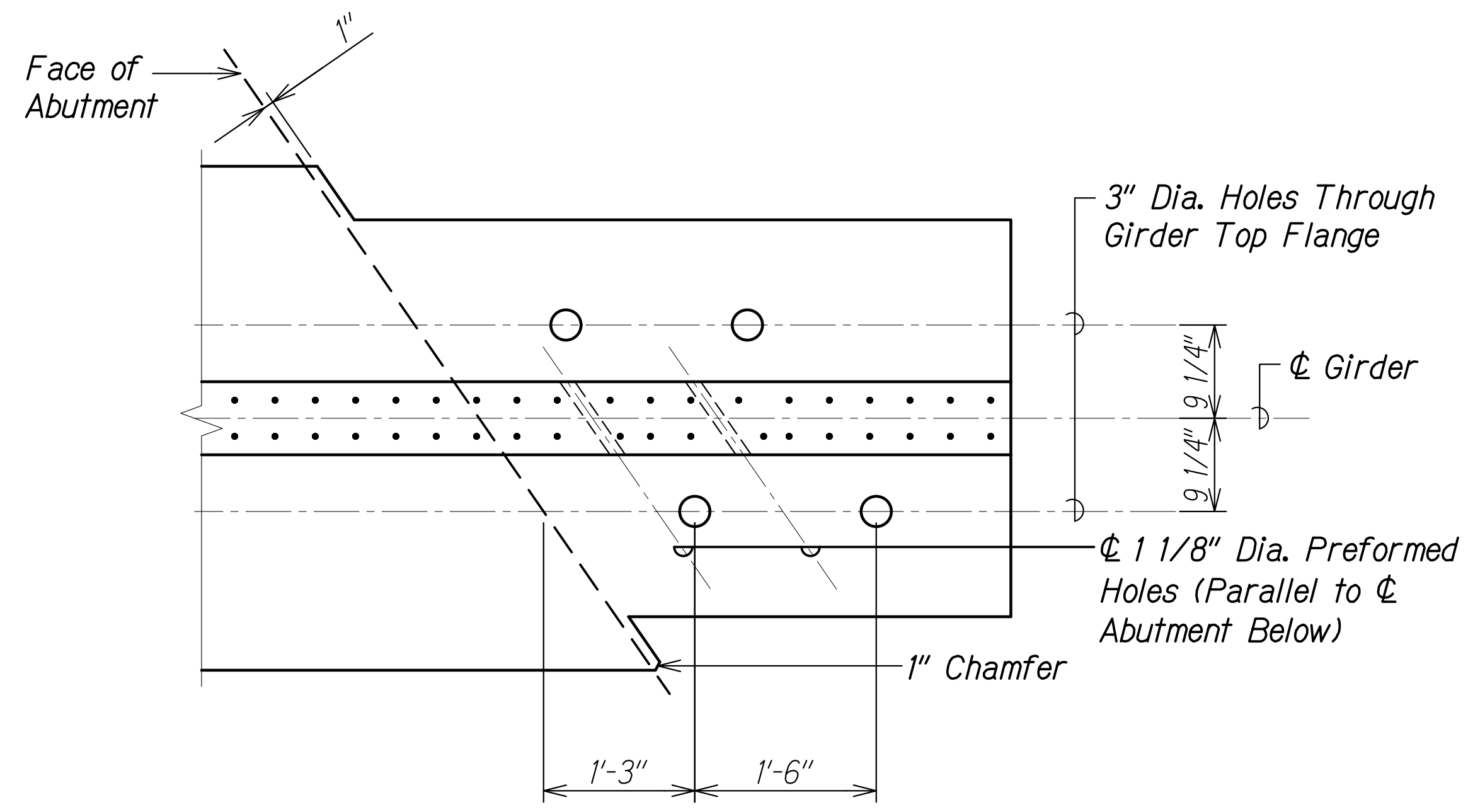
PRESTRESSED GIRDER NOTES:

- Prestressed steel shall be 7-wire 0.6-inch diameter ASTM A416 Grade 270 low-relaxation strand.
- See framing plans for location of diaphragms, bearing to bearing, and girder spacing.
- Strand pattern shall be symmetrical about the longitudinal centerline of the girder.
- Strand release sequence shall not induce any lateral deflection of the girder.
- Contractor shall submit shop drawings indicating proposed strand pattern, holes, inserts, releasing sequence, reinforcing details and hold down device details to the Engineer prior to fabrication.
- The Contractor shall incorporate all holes, inserts, and other embedded items required in girders during fabrication of the girders.
- Lifting devices shall be placed as close as possible to the center line bearing of the girder. Details and locations of lifting devices shall be submitted to the Engineer for approval. Such approval does not relieve the Contractor of his responsibilities if the girder is damaged due to failure of lifting device.
- Prior to casting girder Contractor shall field verify span lengths at each abutment.
- Contractor shall inspect all lifting devices for damage prior to delivery and immediately before installation.
- Contractor shall submit alternative method to lift girder if lifting devices are damaged for review and acceptance.
- Roughen top surface of girder to 1/4" min. amplitude.
- The compressive strength of the girder at strand release shall be at least 8,500 psi. 2
- The compressive strength of the girder at 28 Days shall be at least 10,000 psi.
- See sheet SA5.2 for rebar and strand extensions.
- Contractor may adjust locations of holes and inserts with the approval of the Engineer.



Sawteeth are full width

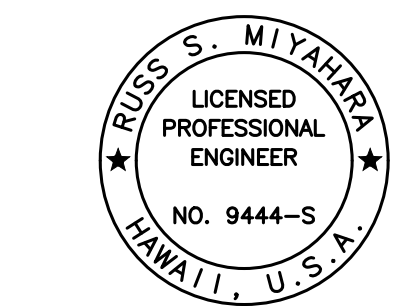
SAWTEETH DETAIL 1
 Not to Scale SA5.3 SA5.3



SECTION A
 Scale: 1" = 1'-0" SA5.2 SA5.3

SURVEY PLOTTED BY	DATE
DRAWN BY	
DESIGNED BY	
QUANTITIES BY	
CHECKED BY	
ORIGINAL PLAN	
NOTE BOOK	
No.	

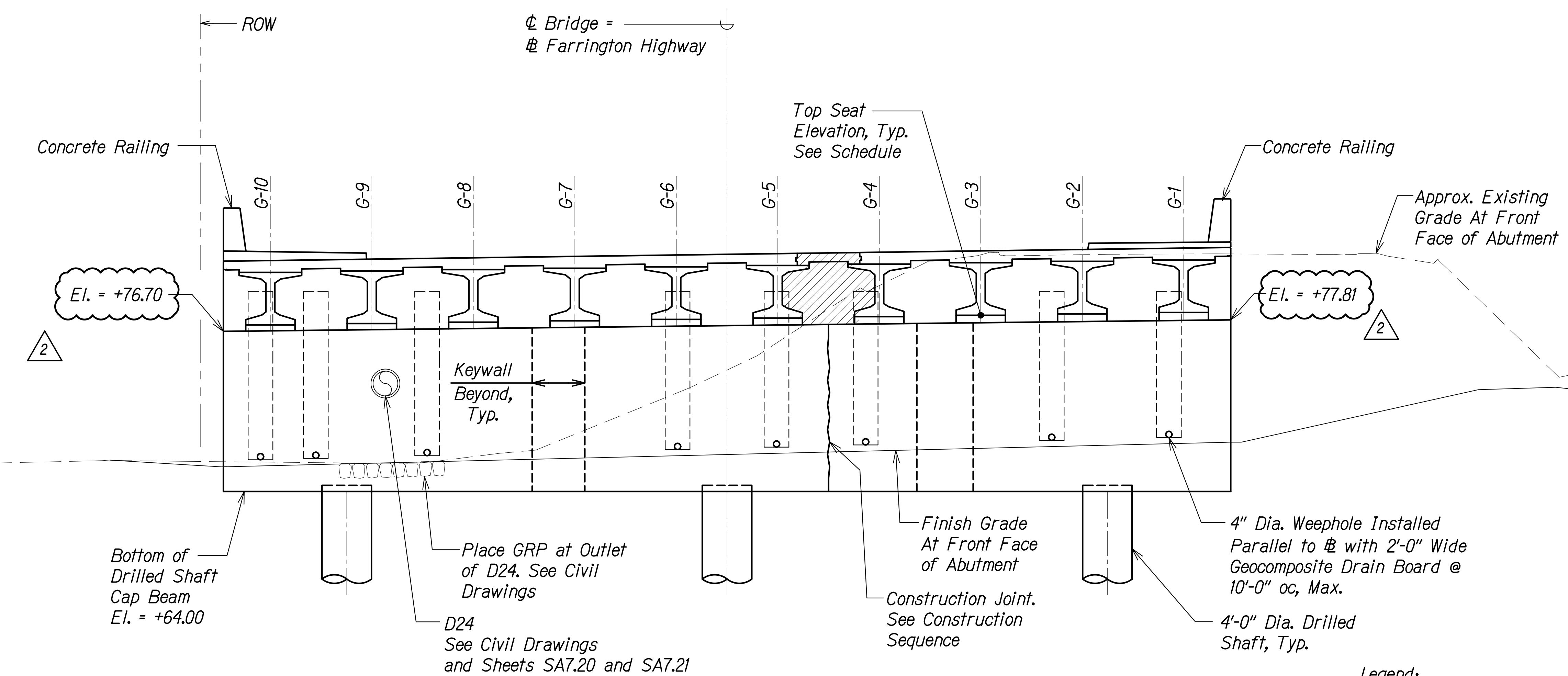
DRAWING NAME: Z:\A00\CONCRETE\20-013-FARR-HW-KAPOLEI-GC-10-ET-WR-EMT\01-GAD\06-06-21-ADD1-DELTA2\EMHS-SA5031-HIGH GIRDER DET-ADD1.DWG PLOT TIME: 06-06-22 12:19 PM



THIS WORK WAS PREPARED BY ME OR UNDER MY SUPERVISION AND CONSTRUCTION OF THIS PROJECT WILL BE UNDER MY OBSERVATION.
 Signature: *Ruges S. Miyakawa*
 April 30, 2024
 EXPIRATION DATE OF THE LICENSE

06/08/22	2 Revised Notes
DATE	REVISION
STATE OF HAWAII DEPARTMENT OF TRANSPORTATION HIGHWAYS DIVISION Honouliuli Stream Bridge Prestressed Girder Notes and Detail FARRINGTON HIGHWAY WIDENING Kapolei Golf Course Road to Fort Weaver Road Project No. 7101A-01-20	
Scale: As Shown	Date: Apr. 2022
SHEET No. SA5.3 OF 3 SHEETS	

FED. ROAD DIST. NO.	STATE	PROJ. NO.	FISCAL YEAR	SHEET NO.	TOTAL SHEETS
HAWAII	HAW.	7101A-01-20	2021	ADD. 372	



Abutment No. 1										
Girder #	1	2	3	4	5	6	7	8	9	10
Top of Seat Elevation	+78.26	+78.15	+78.03	+77.92	+77.81	+77.70	+77.59	+77.47	+77.36	+77.25

See sheet SA7.19 for concrete seat details.
Seat Elevations are shown as + MSL

Notes:

- Contractor shall not encroach within construction clear zone around HART Guideway at any time during construction.
- Top of Drilled Shaft Cap Elevations are measured at ⊕ of abutment.
- Geocomposite Drain Boards and Drain Pipes shall be incidental to the measurement and payment for CLSM Backfill for Honouliuli Abutments and Wingwalls.

Legend:

Closure Pour in End Beam, Corbel, and Deck. See Construction Sequence

SURVEY PLOTTED BY	DATE
DRAWN BY	
DESIGNED BY	
QUANTITIES BY	
CHECKED BY	
ORIGINAL PLAN	
NOTE BOOK	
No.	

DRAWING NAME: SA7.00 CONDUITS, 20-013-FARR HWY KAPOLEI GC. ID: ET WIP-EMTCV01.GXD 06-06-21 ADD1 DELTA2 (HWY3-SA7.02) HON ABUT1 EL-ADD1.DWG PLOT TIME: 06-06-22: 1:21 PM

ABUTMENT NO. 1 ELEVATION LOOKING TOWARDS KAPOLEI
Scale: 3/16" = 1'-0" A
SA7.2

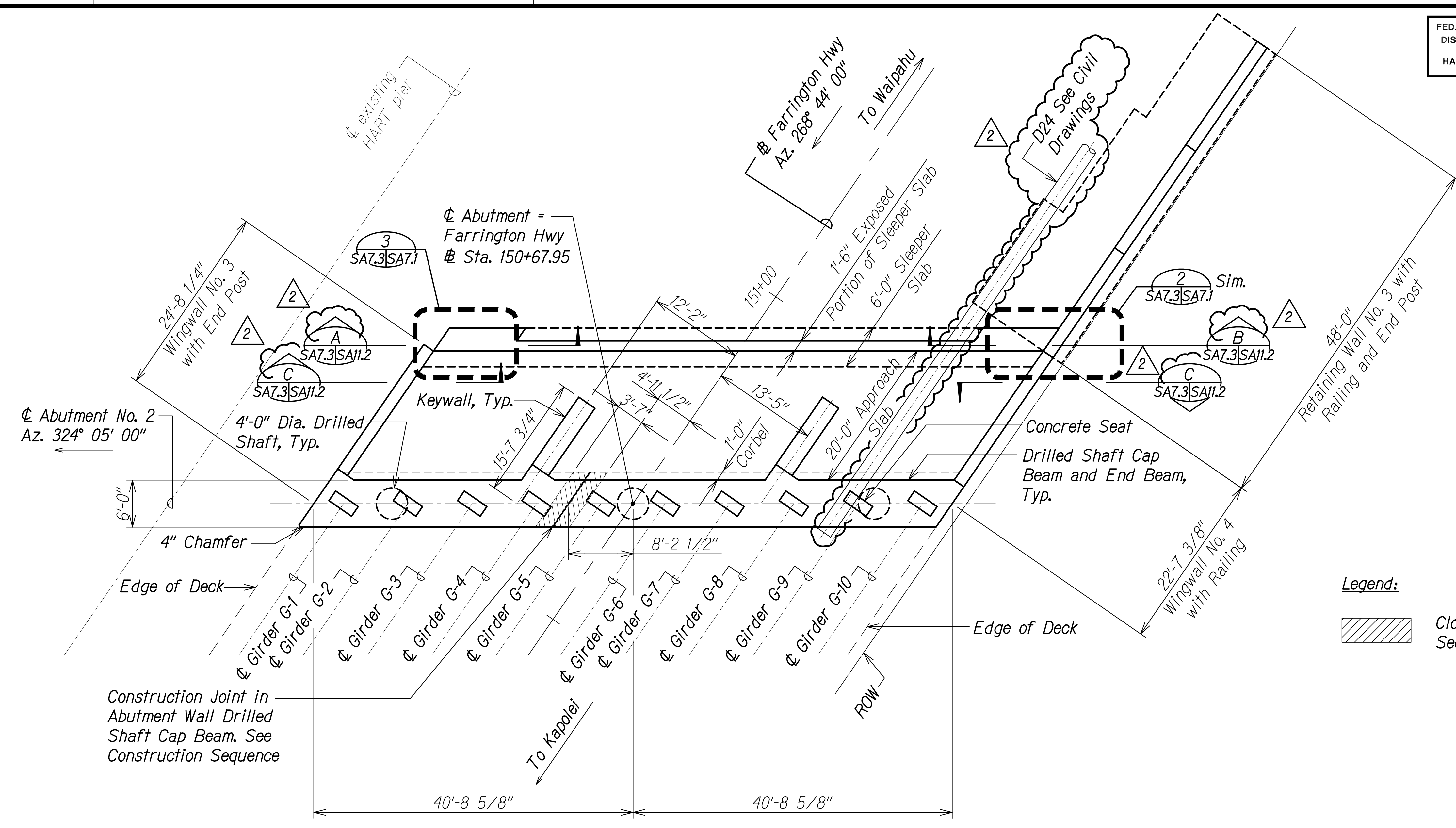
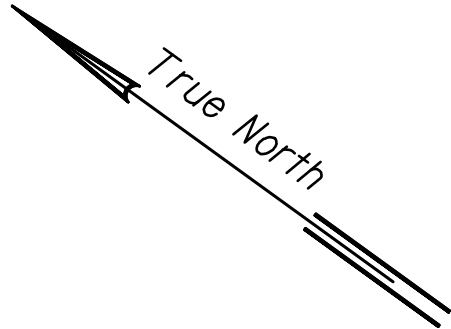
THIS WORK WAS PREPARED BY ME OR UNDER MY SUPERVISION AND CONSTRUCTION OF THIS PROJECT WILL BE UNDER MY OBSERVATION.
Signature: *Rugs S. Miyahara*
April 30, 2024
EXPIRATION DATE OF THE LICENSE

06/08/22	2	Revised Elevations
DATE	REVISION	
STATE OF HAWAII DEPARTMENT OF TRANSPORTATION HIGHWAYS DIVISION		
Honouliuli Stream Bridge Abutment No. 1 Elevation		
FARRINGTON HIGHWAY WIDENING Kapolei Golf Course Road to Fort Weaver Road Project No. 7101A-01-20		
Scale: As Shown	Date: Apr. 2022	
SHEET No. SA7.2 OF 20 SHEETS		

FED. ROAD DIST. NO.	STATE	PROJ. NO.	FISCAL YEAR	SHEET NO.	TOTAL SHEETS
HAWAII	HAW.	7101A-01-20	2021	ADD. 373	

← Upstream

Downstream →



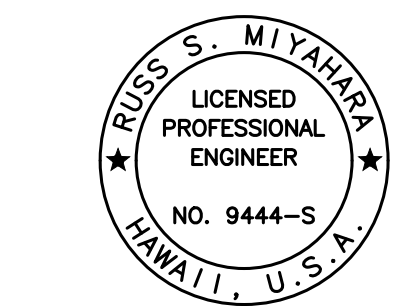
Legend:

Closure Pour in End Beam and Corbel. See Construction Sequence.

ABUTMENT NO. 2 PLAN
 Scale: 1/8" = 1'-0"
 A
 SA7.3 SA7.3

ORIGINAL PLAN	DATE
DRAWN BY	
DESIGNED BY	
QUANTITIES BY	
CHECKED BY	

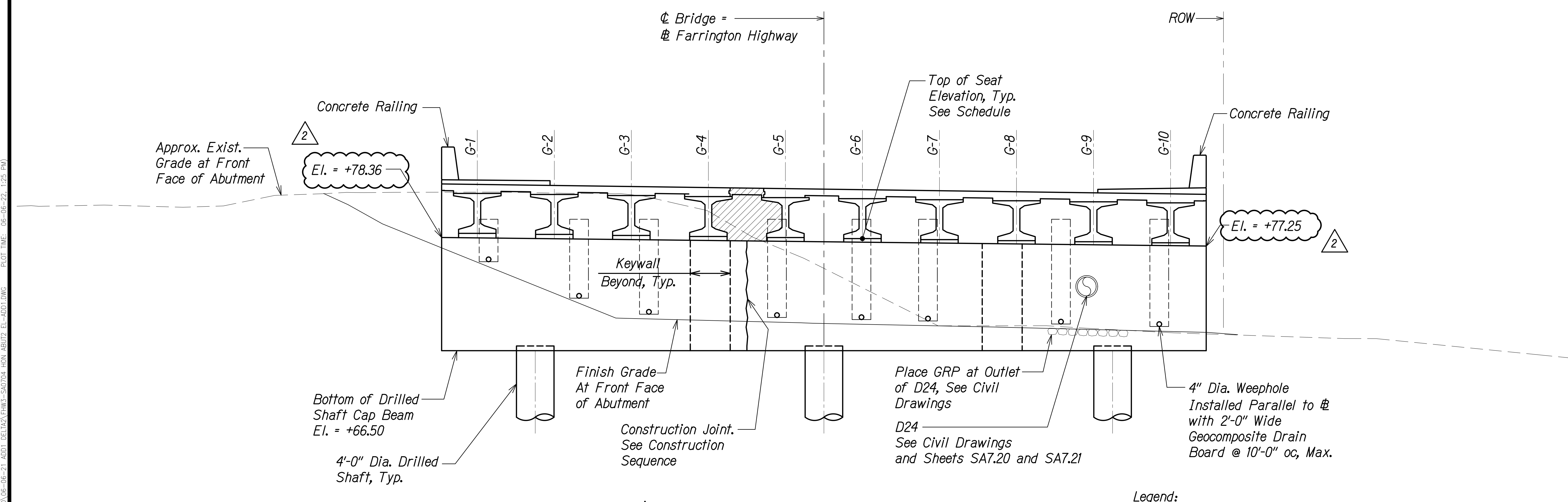
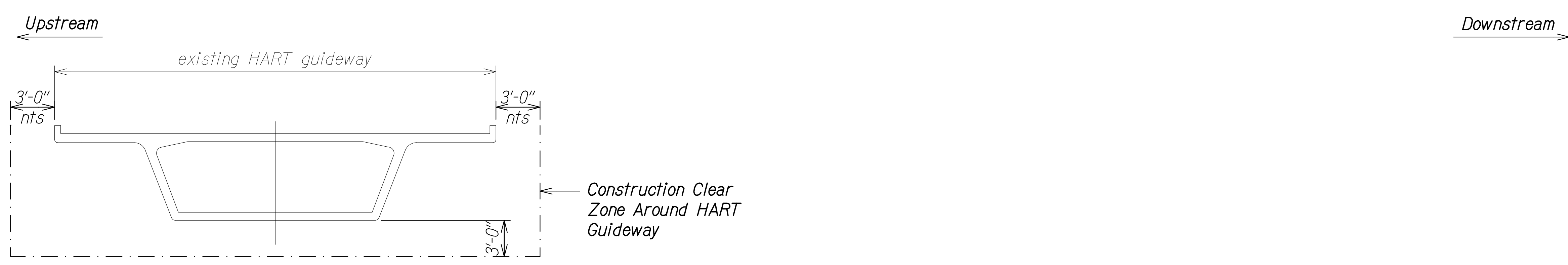
DRAWING NAME: Z:\100 ONGOING\20-013-FARR-HWY-KAPOLEI-GC-10-ET-WR-EMTC\01-GAD\06-06-21-ADD1-DETA2\EMTS-S40703-ABUT2-PLAN-ADD1.DWG PLOT TIME: 06-06-22 1:22 PM



THIS WORK WAS PREPARED BY ME OR UNDER MY SUPERVISION AND CONSTRUCTION OF THIS PROJECT WILL BE UNDER MY OBSERVATION.
 Signature: *Rugs S. Miyahara*
 April 30, 2024
 EXPIRATION DATE OF THE LICENSE

06/08/22	2	Revised Drainline
DATE		REVISION
STATE OF HAWAII DEPARTMENT OF TRANSPORTATION HIGHWAYS DIVISION Honouliuli Stream Bridge Abutment No. 2 Plan FARRINGTON HIGHWAY WIDENING Kapolei Golf Course Road to Fort Weaver Road Project No. 7101A-01-20		
Scale: As Shown		Date: Apr. 2022
SHEET No. SA7.3 OF 20 SHEETS		

FED. ROAD DIST. NO.	STATE	PROJ. NO.	FISCAL YEAR	SHEET NO.	TOTAL SHEETS
HAWAII	HAW.	7101A-01-20	2021	ADD. 374	



Abutment No. 2										
Girder #	1	2	3	4	5	6	7	8	9	10
Top of Seat Elevation	+78.81	+78.69	+78.58	+78.47	+78.36	+78.25	+78.14	+78.02	+77.91	+77.80

See sheet SA7.19 for concrete seat details.
Seat Elevations are shown as + MSL

Notes:

- Contractor shall not encroach within construction clear zone around HART Guideway at any time during construction.
- Top of Drilled Shaft Cap Elevations are measured at ϕ of abutment.
- Geocomposite Drain Boards and Drain Pipes shall be incidental to the measurement and payment for CLSM Backfill for Honouliuli Abutments and Wingwalls.

Legend:

Closure Pour in End Beam and Deck. See Construction Sequence.

SURVEY PLOTTED BY	DATE
DRAWN BY	
DESIGNED BY	
QUANTITIES BY	
CHECKED BY	
ORIGINAL PLAN	
NOTE BOOK	
No.	

DRAWING NAME: Z:\100 ONGOING\20-013-FARR-HWY-KAPOLEI\GC_ID.IT\HWY-EMT\01-GAD\06-06-21-ADD1-DELTA2\EMT03-S40704-HON1-ABUT2-EL-ADD1.DWG PLOT TIME: 06-06-22: 1:25 PM

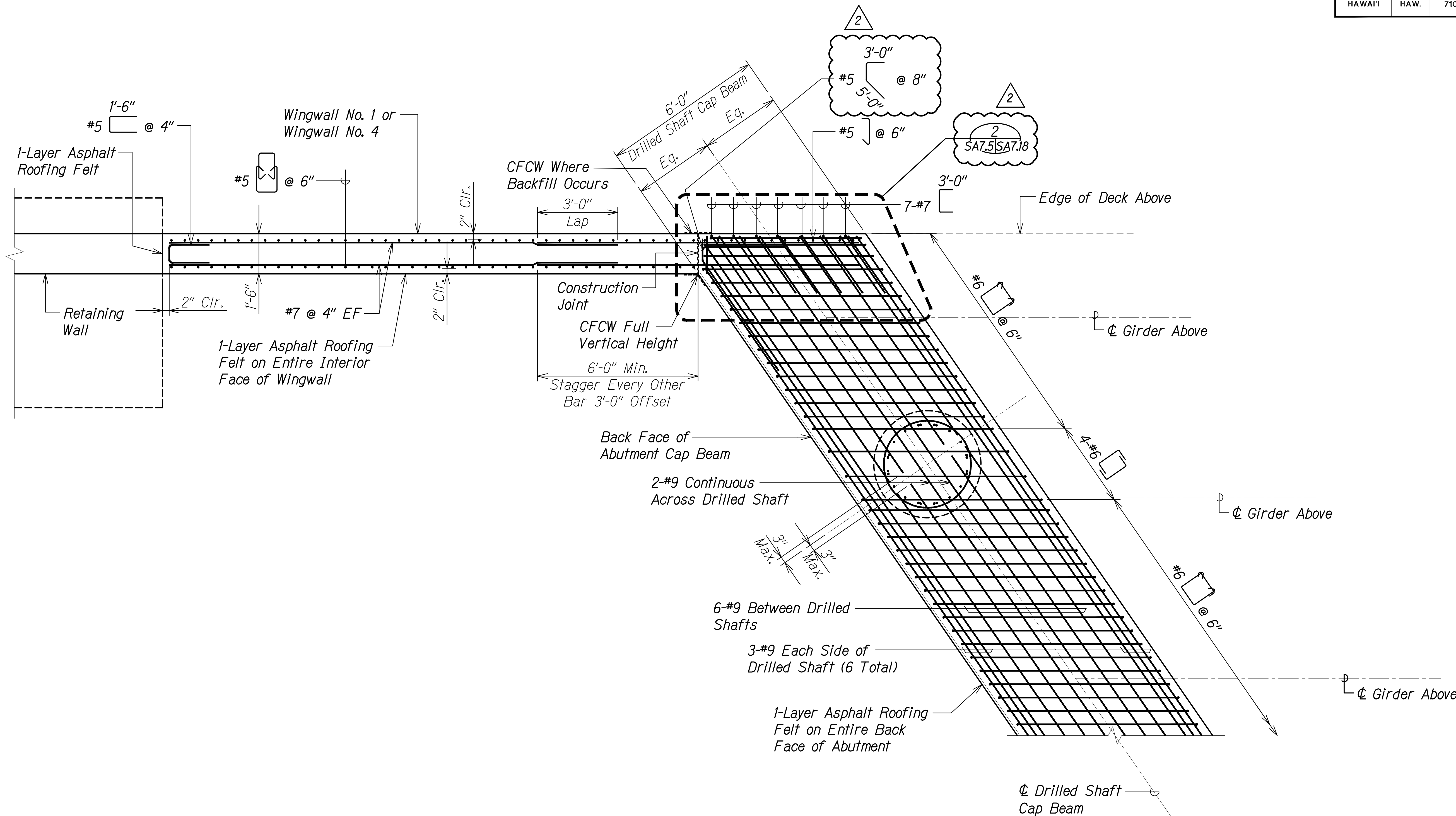
ABUTMENT NO. 2 ELEVATION LOOKING TOWARDS WAIPAHA
Scale: 3/16" = 1'-0"

A
SA7.4

THIS WORK WAS PREPARED BY ME OR UNDER MY SUPERVISION AND CONSTRUCTION OF THIS PROJECT WILL BE UNDER MY OBSERVATION.
Signature: *Rugo S. Miyahara*
April 30, 2024
EXPIRATION DATE OF THE LICENSE

06/08/22	2	Revised Elevations
DATE	REVISION	
STATE OF HAWAII DEPARTMENT OF TRANSPORTATION HIGHWAYS DIVISION		
Honouliuli Stream Bridge Abutment No. 2 Elevation		
FARRINGTON HIGHWAY WIDENING Kapolei Golf Course Road to Fort Weaver Road Project No. 7101A-01-20		
Scale: As Shown	Date: Apr. 2022	
SHEET No. SA7.4 OF 20 SHEETS		

FED. ROAD DIST. NO.	STATE	PROJ. NO.	FISCAL YEAR	SHEET NO.	TOTAL SHEETS
HAWAII	HAW.	7101A-01-20	2021	ADD. 375	



**TYPICAL DRILLED SHAFT CAP BEAM
BOTTOM REINFORCING PLAN**

Scale: 1/2" = 1'-0"



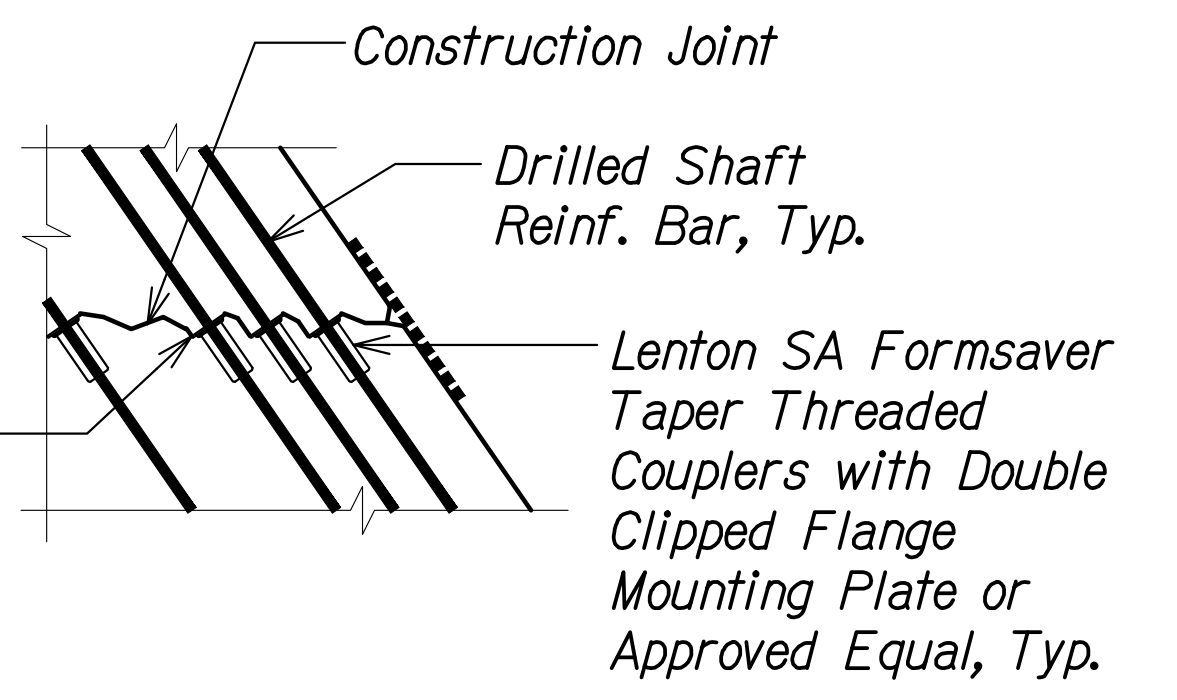
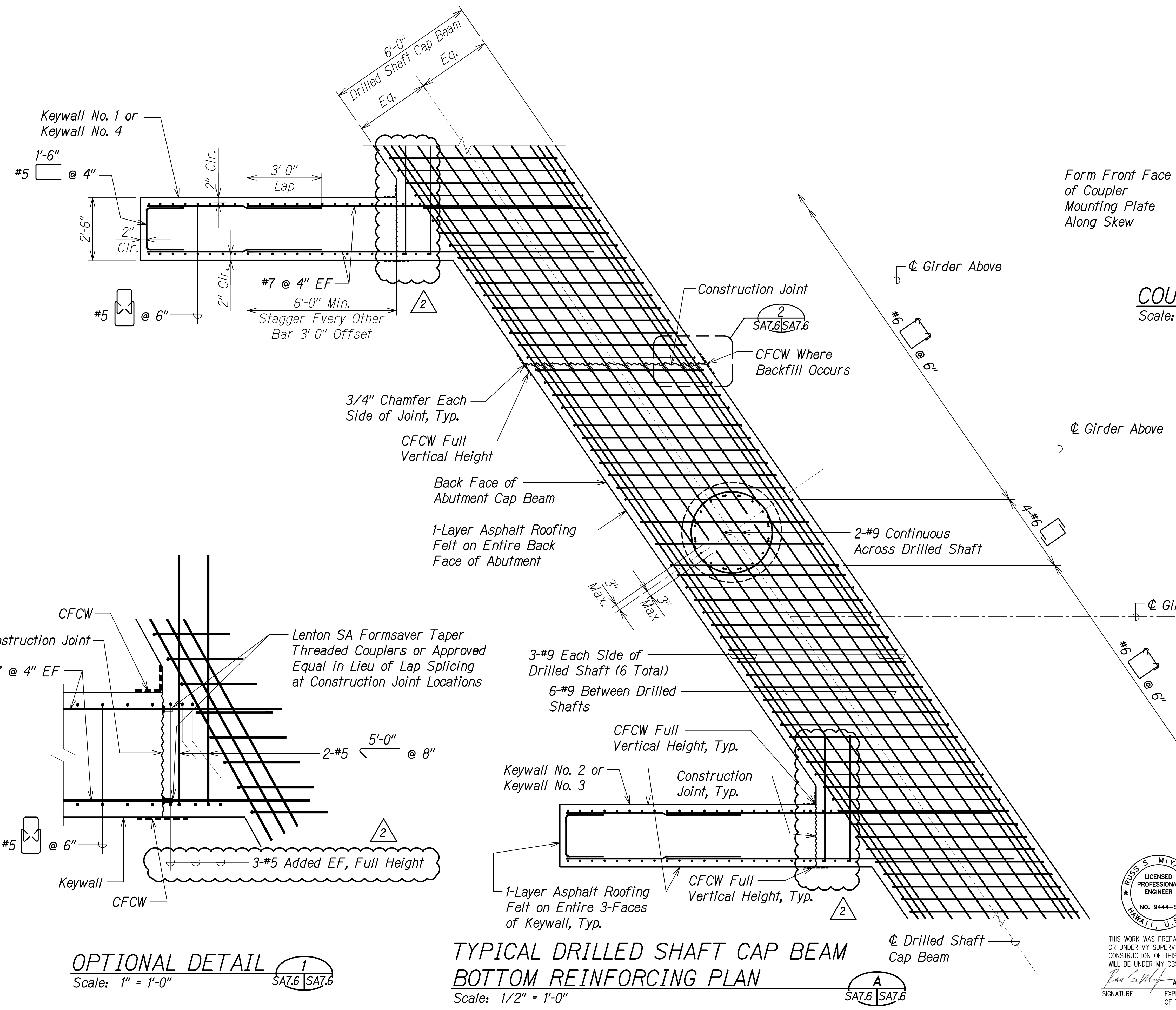
SURVEY PLOTTED BY	DATE
DRAWN BY	
DESIGNED BY	
QUANTITIES BY	
CHECKED BY	
ORIGINAL PLAN	
NOTE BOOK	
No.	

DRAWING NAME: Z:\00_ONGOING\20-013-FARR-HWY-KAPOLEI\GE.ID.IT.WIP-EMTC\01-CAD\06-06-21-ADD1-DELTAE\FHWS-S40705-ABUT1-PLAN-ADD1.DWG PLOT TIME: 06-06-22: 2:16 PM

THIS WORK WAS PREPARED BY ME OR UNDER MY SUPERVISION AND CONSTRUCTION OF THIS PROJECT WILL BE UNDER MY OBSERVATION.
 Signature: *Russ S. Miyahara*
 April 30, 2024
 EXPIRATION DATE OF THE LICENSE

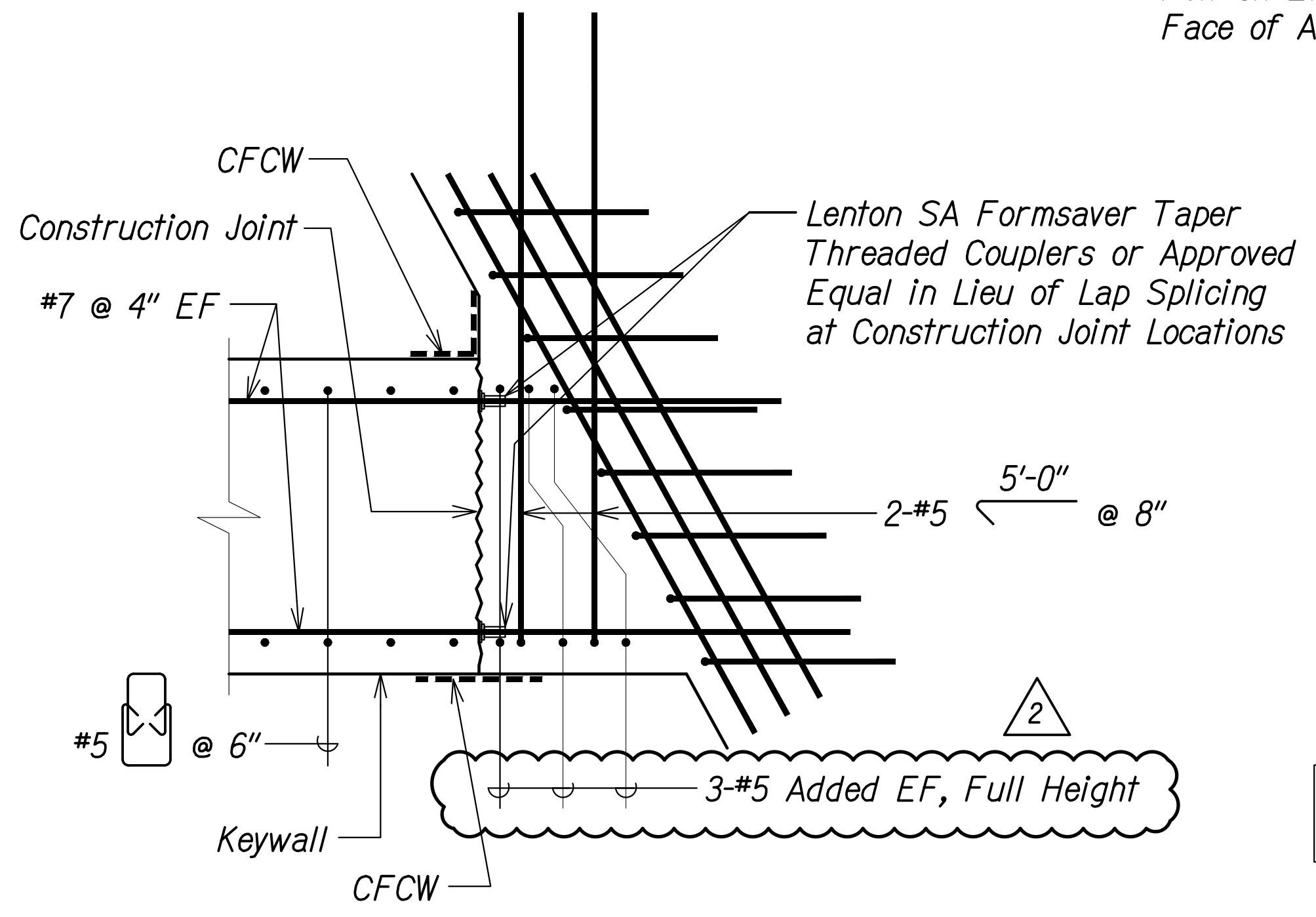
06/08/22	2	Added Reinforcing
DATE		REVISION
STATE OF HAWAII DEPARTMENT OF TRANSPORTATION HIGHWAYS DIVISION Honouliuli Stream Bridge Abutment Reinforcing Plan FARRINGTON HIGHWAY WIDENING Kapolei Golf Course Road to Fort Weaver Road Project No. 7101A-01-20		
Scale: As Shown	Date: Apr. 2022	
SHEET No. SA7.5 OF 20 SHEETS		

FED. ROAD DIST. NO.	STATE	PROJ. NO.	FISCAL YEAR	SHEET NO.	TOTAL SHEETS
HAWAII	HAW.	7101A-01-20	2021	ADD. 376	



Form Front Face of Coupler Mounting Plate Along Skew

COUPLER DETAIL 2
Scale: 1" = 1'-0"



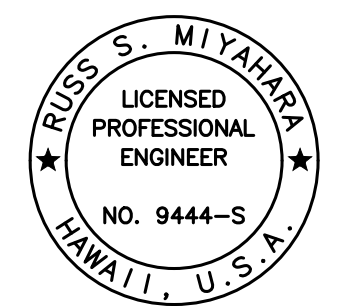
OPTIONAL DETAIL 1
Scale: 1" = 1'-0"

TYPICAL DRILLED SHAFT CAP BEAM BOTTOM REINFORCING PLAN A
Scale: 1/2" = 1'-0"

SURVEY PLOTTED BY	DATE
DRAWN BY	
DESIGNED BY	
QUANTITIES BY	
CHECKED BY	
ORIGINAL PLAN	
NOTE BOOK	
No.	

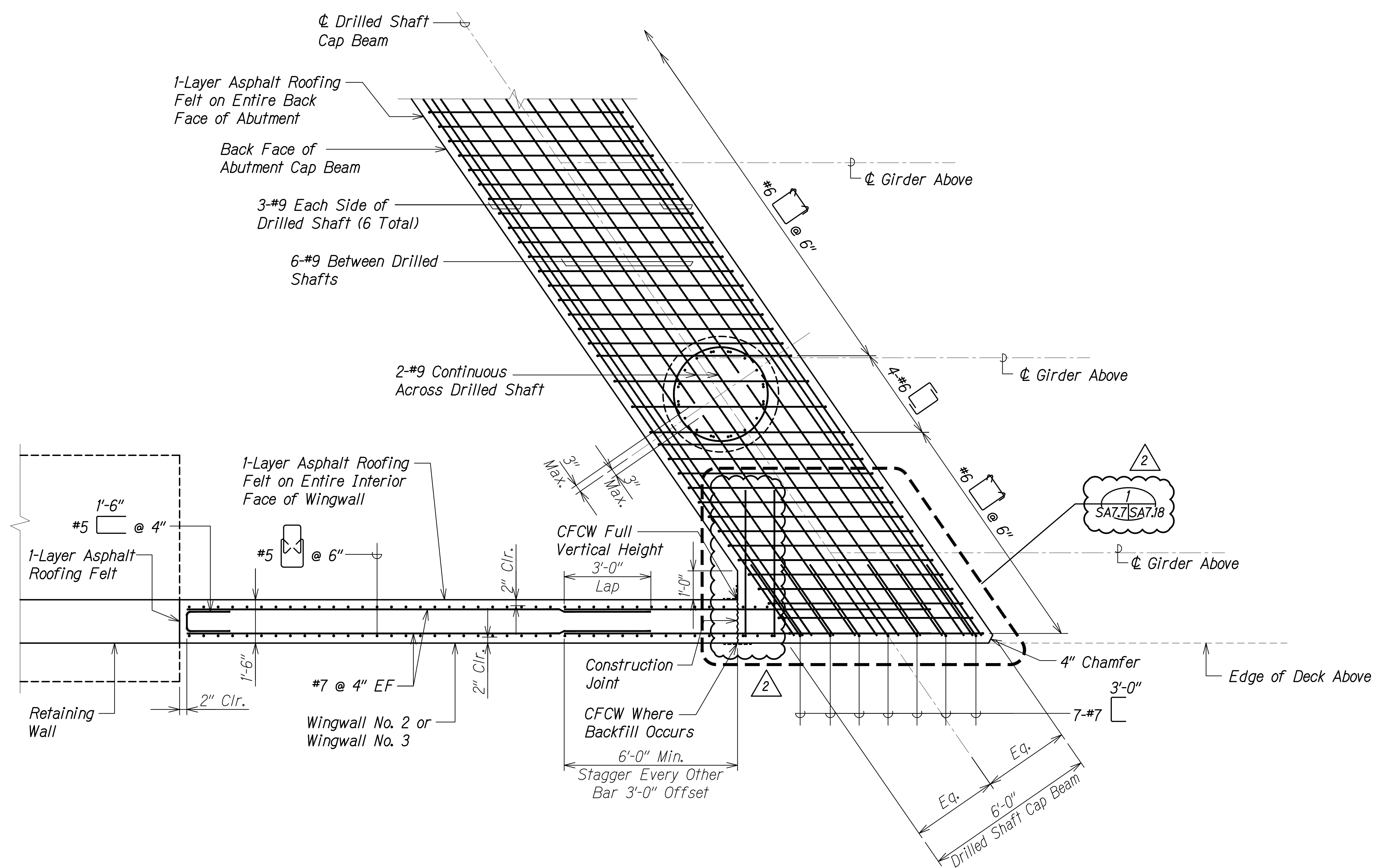
DRAWING NAME: Z:\000\000000\20-013-FARR-HW-KAPOLEI-GC-10-ET-WIP-EMT\01-GAD\06-06-21-ADD1-DELTA2\HW3-SAD\205-ABUT1-PLAN-ADD1.DWG PLOT TIME: 06-06-22 2:16 PM

THIS WORK WAS PREPARED BY ME OR UNDER MY SUPERVISION AND CONSTRUCTION OF THIS PROJECT WILL BE UNDER MY OBSERVATION.
 Signature: *Russ S. Miyahara*
 April 30, 2024
 EXPIRATION DATE OF THE LICENSE



06/08/22	2	Revised Details
DATE		REVISION
STATE OF HAWAII DEPARTMENT OF TRANSPORTATION HIGHWAYS DIVISION		
Honouliuli Stream Bridge Abutment Reinforcing Plan		
FARRINGTON HIGHWAY WIDENING Kapolei Golf Course Road to Fort Weaver Road Project No. 7101A-01-20		
Scale: As Shown		Date: Apr. 2022
SHEET No. SA7.6 OF 20 SHEETS		

FED. ROAD DIST. NO.	STATE	PROJ. NO.	FISCAL YEAR	SHEET NO.	TOTAL SHEETS
HAWAII	HAW.	7101A-01-20	2021	ADD. 377	



**TYPICAL DRILLED SHAFT CAP BEAM
BOTTOM REINFORCING PLAN**
Scale: 1/2" = 1'-0"

SURVEY PLOTTED BY	DATE
DRAWN BY	
DESIGNED BY	
QUANTITIES BY	
CHECKED BY	
ORIGINAL PLAN	
NOTE BOOK	
No.	

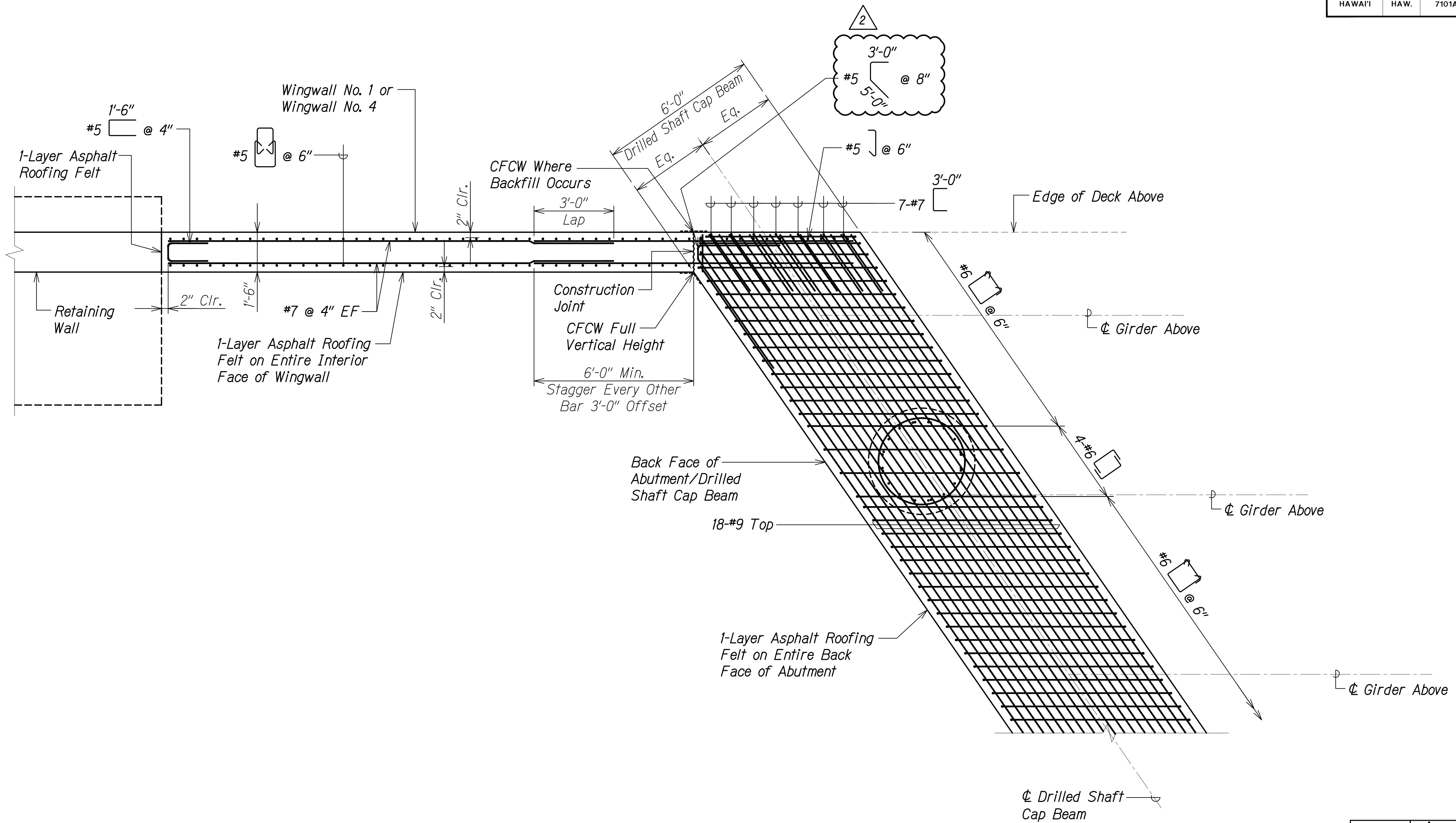
DRAWING NAME: 2A100 UNDOINGS-20-013-FARR-HWY KAPOLEI GC. ID: ET WPR-BMT(C)01 CAD: 06-06-21 ADD1 DELIAC-THMS-SAD705 ABUT1 PLAN-ADD1.DWG PLOT TIME: 06-06-22 2:16 PM

THIS WORK WAS PREPARED BY ME OR UNDER MY SUPERVISION AND CONSTRUCTION OF THIS PROJECT WILL BE UNDER MY OBSERVATION.

 Signature: *Rugo S. Miyahara*
 April 30, 2024
 EXPIRATION DATE OF THE LICENSE

06/08/22	2	Added Reinforcing
DATE		REVISION
STATE OF HAWAII DEPARTMENT OF TRANSPORTATION HIGHWAYS DIVISION Honouliuli Stream Bridge Abutment Reinforcing Plan FARRINGTON HIGHWAY WIDENING Kapolei Golf Course Road to Fort Weaver Road Project No. 7101A-01-20		
Scale: As Shown	Date: Apr. 2022	
SHEET No. SA7.7 OF 20 SHEETS		

FED. ROAD DIST. NO.	STATE	PROJ. NO.	FISCAL YEAR	SHEET NO.	TOTAL SHEETS
HAWAII	HAW.	7101A-01-20	2021	ADD. 378	



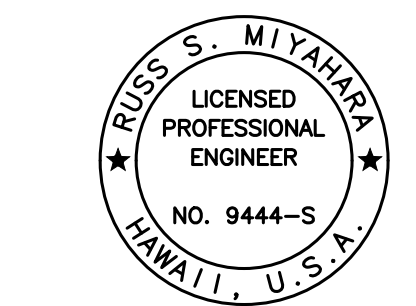
**TYPICAL DRILLED SHAFT CAP BEAM
TOP REINFORCING PLAN**

Scale: 1/2" = 1'-0"



SURVEY PLOTTED BY	DATE
DRAWN BY	
DESIGNED BY	
QUANTITIES BY	
CHECKED BY	
ORIGINAL PLAN	
NOTE BOOK	
No.	

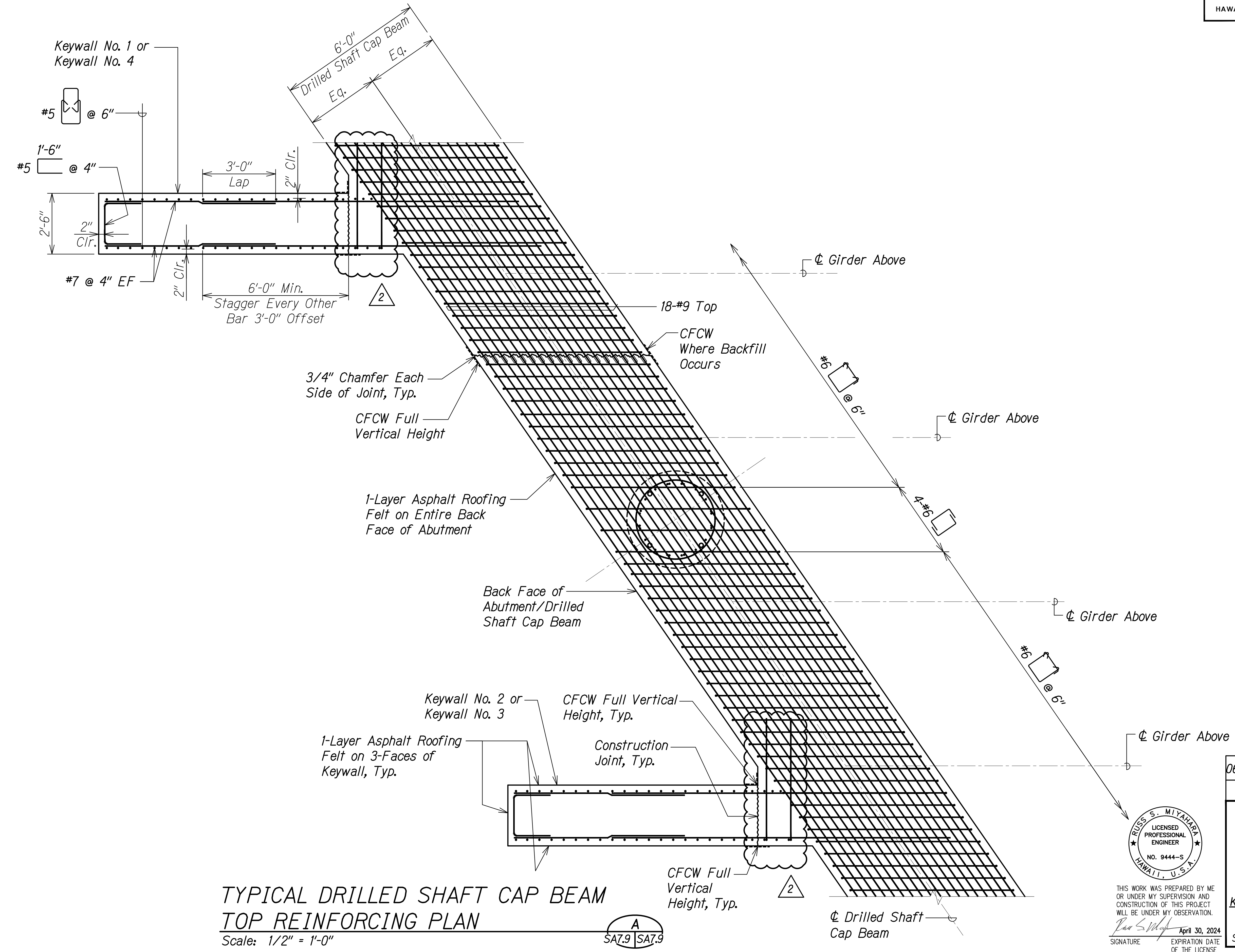
DRAWING NAME: Z:\100 ONGOING\20-013-FARR-HWY-KAPOLEI.GE.ID.IT.WIP-EMTC\01-CAD\06-06-21-ADD1-DETA2\THW3-S40708-ABUT1-PLAN-ADD1.DWG PLOT TIME: 06-06-22: 2:23 PM



THIS WORK WAS PREPARED BY ME OR UNDER MY SUPERVISION AND CONSTRUCTION OF THIS PROJECT WILL BE UNDER MY OBSERVATION.
 Signature: *Rugo S. Miyahara*
 April 30, 2024
 EXPIRATION DATE OF THE LICENSE

06/08/22	2	Added Reinforcing
DATE		REVISION
STATE OF HAWAII DEPARTMENT OF TRANSPORTATION HIGHWAYS DIVISION Honouliuli Stream Bridge Abutment Reinforcing Plan FARRINGTON HIGHWAY WIDENING Kapolei Golf Course Road to Fort Weaver Road Project No. 7101A-01-20		
Scale: As Shown	Date: Apr. 2022	
SHEET No. SA7.8 OF 20 SHEETS		

FED. ROAD DIST. NO.	STATE	PROJ. NO.	FISCAL YEAR	SHEET NO.	TOTAL SHEETS
HAWAII	HAW.	7101A-01-20	2021	ADD. 379	

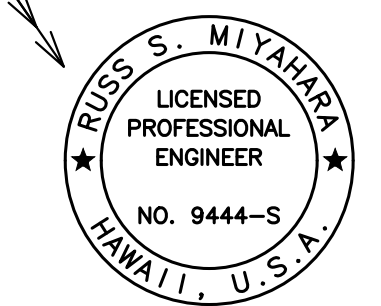


**TYPICAL DRILLED SHAFT CAP BEAM
TOP REINFORCING PLAN**
Scale: 1/2" = 1'-0"

A
SA7.9 SA7.9

SURVEY PLOTTED BY	DATE
DRAWN BY	
DESIGNED BY	
QUANTITIES BY	
CHECKED BY	
ORIGINAL PLAN	
NOTE BOOK	
No.	

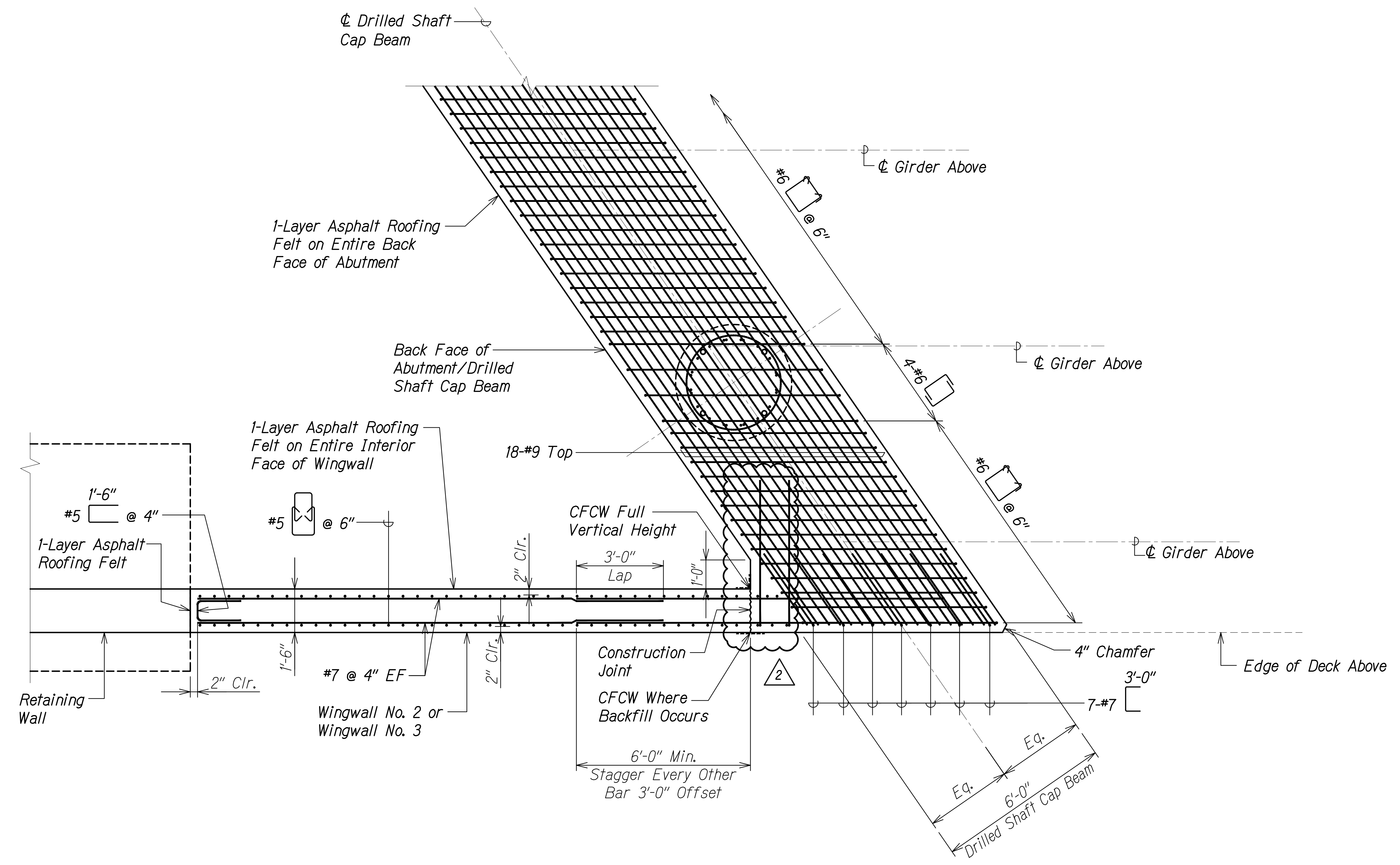
DRAWING NAME: Z:\ADD\CONCRETE\20-013-FARR-HWY-KAPOLEI-GC-10-ET-WR-EMT\01-GAD\06-06-21-ADD1-DELTA2\EMTS-S40708-ABUT1-PLAN-ADD1.DWG PLOT TIME: 06-06-22 2:23 PM



THIS WORK WAS PREPARED BY ME OR UNDER MY SUPERVISION AND CONSTRUCTION OF THIS PROJECT WILL BE UNDER MY OBSERVATION.
Signature: *Rugs S. Miyahara*
April 30, 2024
EXPIRATION DATE OF THE LICENSE

06/08/22	2	Added Reinforcing
DATE	REVISION	
STATE OF HAWAII DEPARTMENT OF TRANSPORTATION HIGHWAYS DIVISION		
Honouliuli Stream Bridge Abutment Reinforcing Plan		
FARRINGTON HIGHWAY WIDENING Kapolei Golf Course Road to Fort Weaver Road Project No. 7101A-01-20		
Scale: As Shown	Date: Apr. 2022	
SHEET No. SA7.9 OF 20 SHEETS		

FED. ROAD DIST. NO.	STATE	PROJ. NO.	FISCAL YEAR	SHEET NO.	TOTAL SHEETS
HAWAII	HAW.	7101A-01-20	2021	ADD. 380	



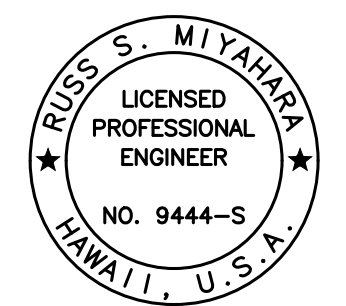
**TYPICAL DRILLED SHAFT CAP BEAM
TOP REINFORCING PLAN**
Scale: 1/2" = 1'-0"



SURVEY PLOTTED BY	DATE
DRAWN BY	
DESIGNED BY	
QUANTITIES BY	
CHECKED BY	
ORIGINAL PLAN	
NOTE BOOK	
No.	

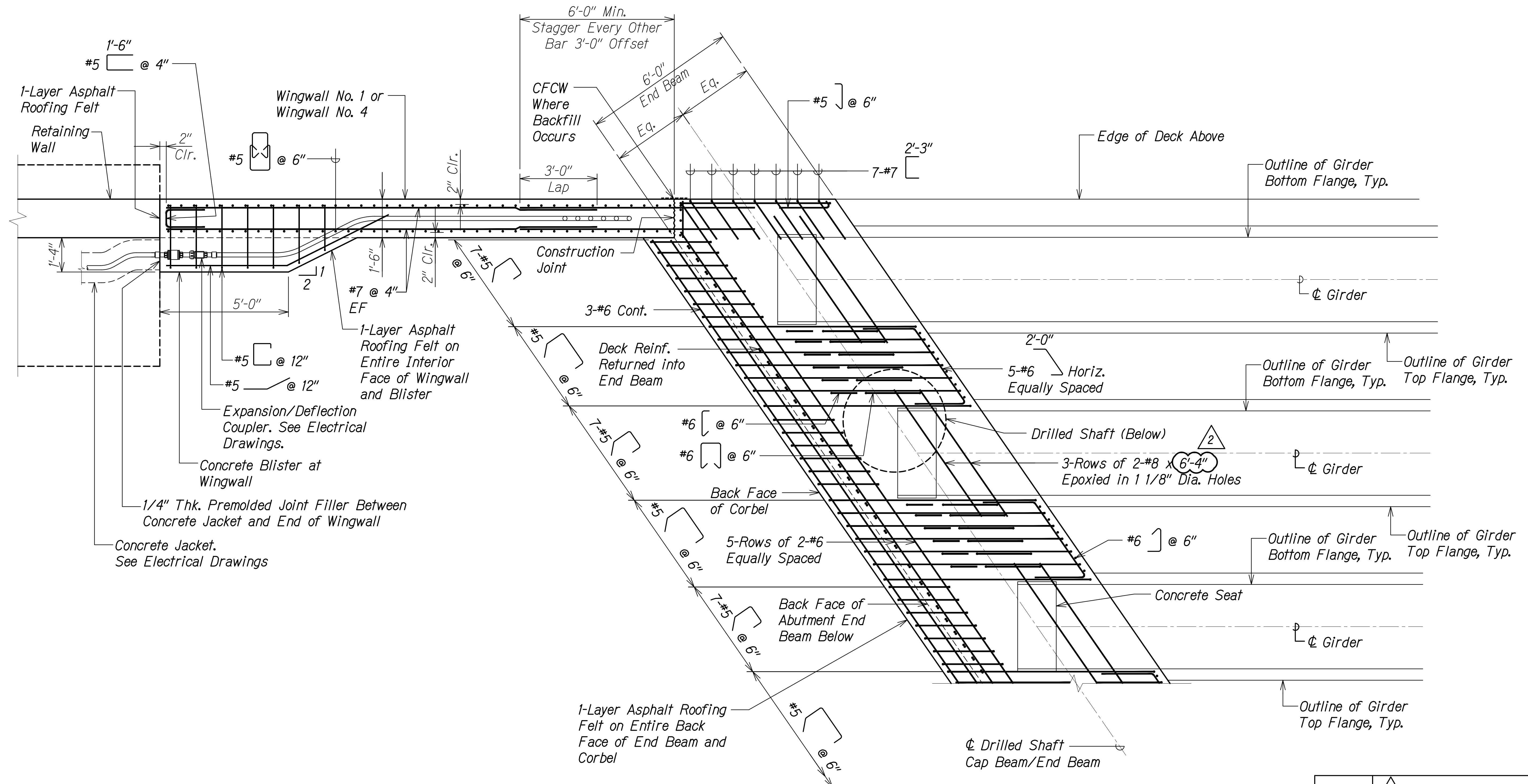
DRAWING NAME: Z:\100 ONGOING\20-013-FARR-HWY-KAPOLEI\GE.IDE.TE.WORK\BIM\01.GAD\06-06-21\ADD1-DELTA\THW3-S40708-ABUT1-PLAN-ADD1.DWG PLOT TIME: 06-06-22 2:24 PM

THIS WORK WAS PREPARED BY ME OR UNDER MY SUPERVISION AND CONSTRUCTION OF THIS PROJECT WILL BE UNDER MY OBSERVATION.
Paul S. Miyahara
SIGNATURE
April 30, 2024
EXPIRATION DATE OF THE LICENSE



06/08/22	2	Added Reinforcing
DATE	REVISION	
STATE OF HAWAII DEPARTMENT OF TRANSPORTATION HIGHWAYS DIVISION		
Honouliuli Stream Bridge Abutment Reinforcing Plan		
FARRINGTON HIGHWAY WIDENING Kapolei Golf Course Road to Fort Weaver Road Project No. 7101A-01-20		
Scale: As Shown	Date: Apr. 2022	
SHEET No. SA7.10 OF 20 SHEETS		

FED. ROAD DIST. NO.	STATE	PROJ. NO.	FISCAL YEAR	SHEET NO.	TOTAL SHEETS
HAWAII	HAW.	7101A-01-20	2021	ADD. 381	



TYPICAL END BEAM REINFORCING PLAN A
 Scale: 1/2" = 1'-0" SA7.11 SA7.11

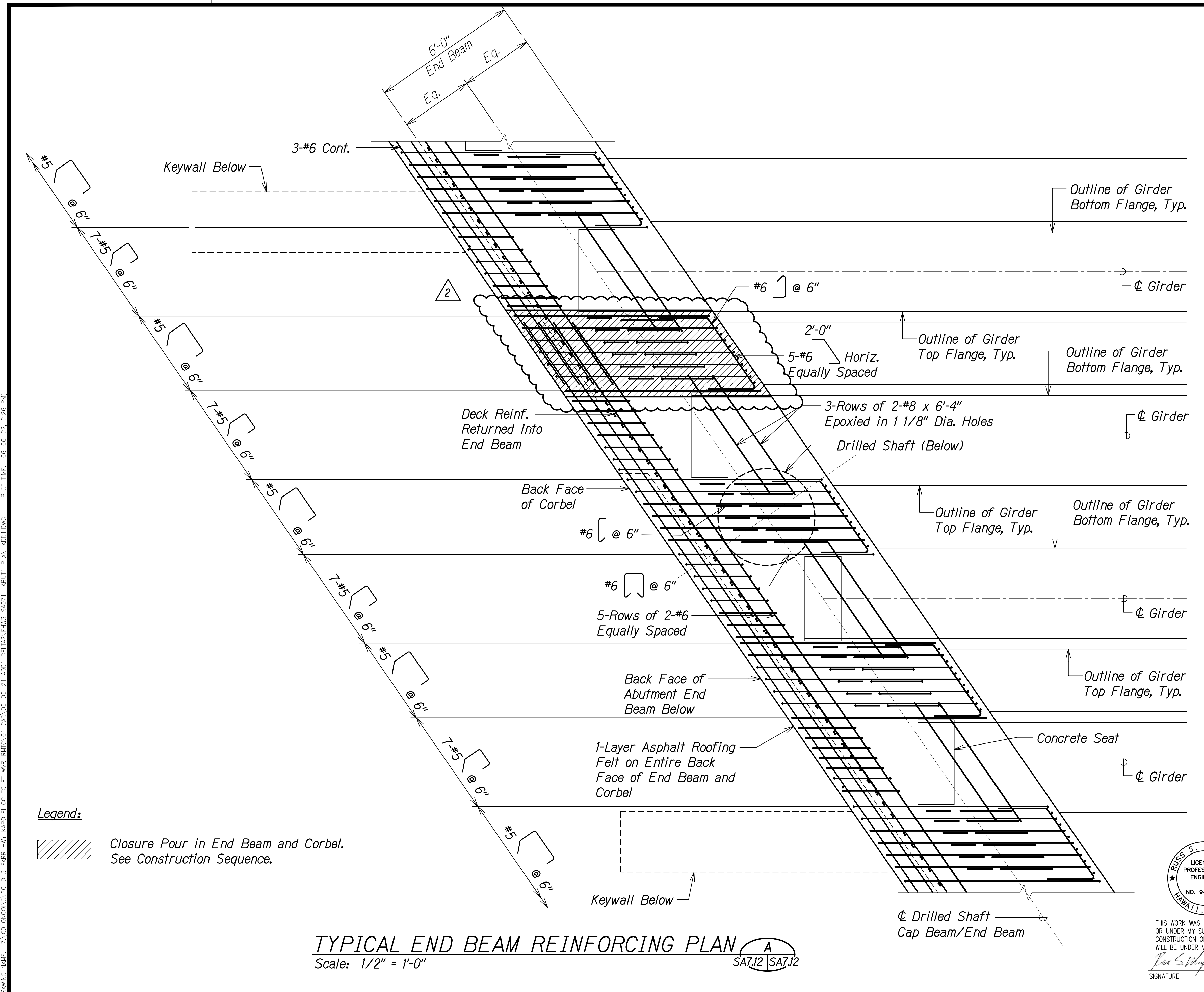
SURVEY PLOTTED BY	DATE
DRAWN BY	
DESIGNED BY	
QUANTITIES BY	
CHECKED BY	
ORIGINAL PLAN	
NOTE BOOK	
No.	

DRAWING NAME: Z:\00_ONGOING\20-013-FARR-HWY-KAPOLEI.GE.ID.IT.WIP-EMTC\01_GAD\06-06-21_ADD1_DELTAS\HWY3-S40711_ABTUT.PLAN-ADD1.DWG PLOT TIME: 06-06-22, 2:26 PM

THIS WORK WAS PREPARED BY ME OR UNDER MY SUPERVISION AND CONSTRUCTION OF THIS PROJECT WILL BE UNDER MY OBSERVATION.
Russ S. Miyahara
 SIGNATURE April 30, 2024
 EXPIRATION DATE OF THE LICENSE

06/08/22	2	Revised Reinforcing Length
DATE		REVISION
STATE OF HAWAII DEPARTMENT OF TRANSPORTATION HIGHWAYS DIVISION Honouliuli Stream Bridge Abutment Reinforcing Plan FARRINGTON HIGHWAY WIDENING Kapolei Golf Course Road to Fort Weaver Road Project No. 7101A-01-20		
Scale: As Shown	Date: Apr. 2022	
SHEET No. SA7.11 OF 20 SHEETS		

FED. ROAD DIST. NO.	STATE	PROJ. NO.	FISCAL YEAR	SHEET NO.	TOTAL SHEETS
HAWAII	HAW.	7101A-01-20	2021	ADD. 382	



Legend:

Closure Pour in End Beam and Corbel. See Construction Sequence.

TYPICAL END BEAM REINFORCING PLAN A
 Scale: 1/2" = 1'-0" SA7.12 | SA7.12

SURVEY PLOTTED BY	DATE
DRAWN BY	
DESIGNED BY	
QUANTITIES BY	
CHECKED BY	
ORIGINAL PLAN	
NOTE BOOK	
No.	

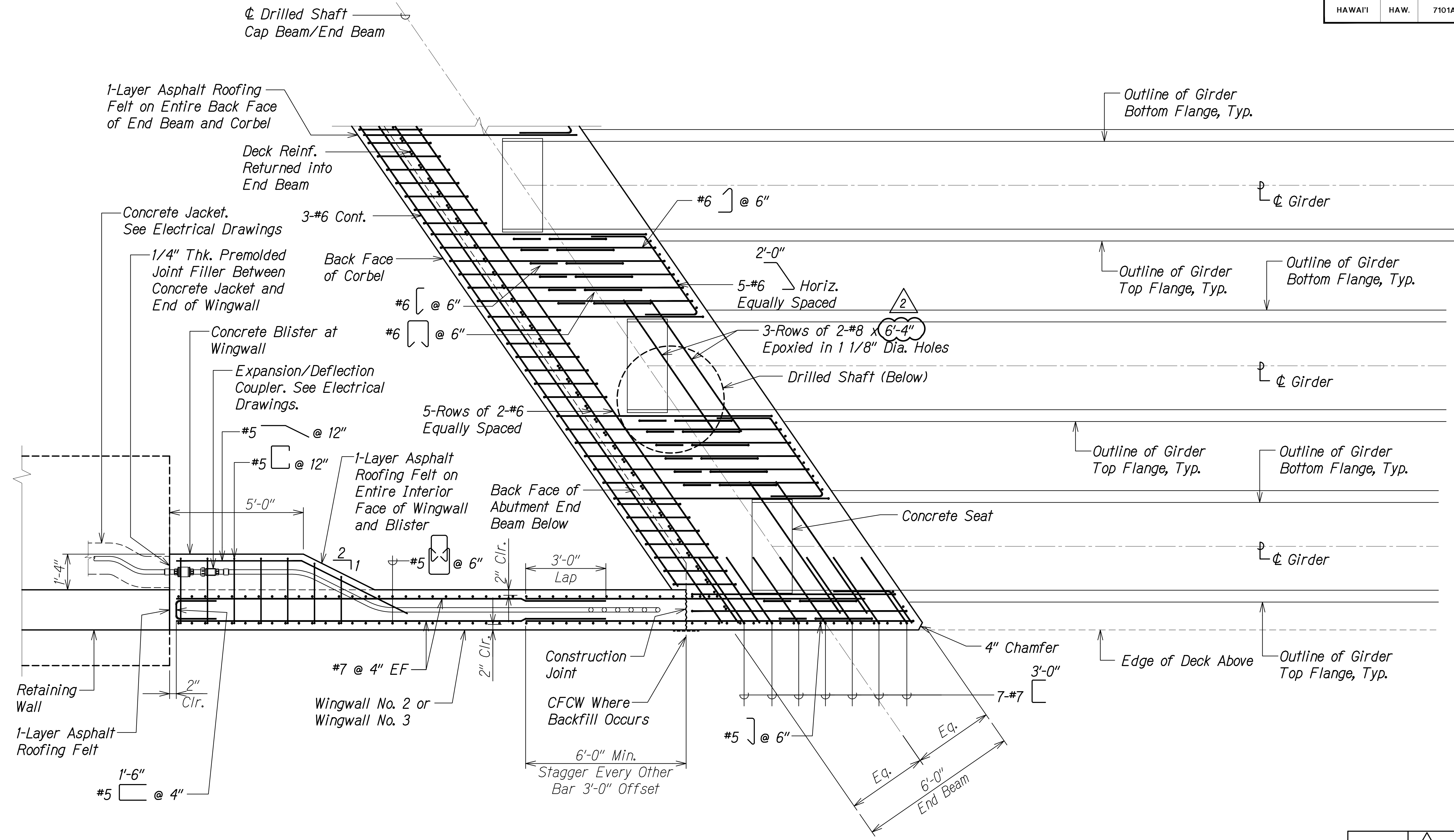
DRAWING NAME: Z:\A00\CONCRETE\20-013-FARR-HW-KAPOLEI.GE.ID.IT.WPG-RMTC\01.GRD\06-06-21\ADD1\DELTA2\HW3-S40711\ABUT1\PLAN-ADD1.DWG PLOT TIME: 06-06-22: 2:26 PM

RUCS S. MIYAHARA
 LICENSED PROFESSIONAL ENGINEER
 NO. 9444-S
 HAWAII, U.S.A.

THIS WORK WAS PREPARED BY ME OR UNDER MY SUPERVISION AND CONSTRUCTION OF THIS PROJECT WILL BE UNDER MY OBSERVATION.
 Signature: *RUCS S. Miyahara* April 30, 2024
 EXPIRATION DATE OF THE LICENSE

06/08/22	2	Clarified Lap Location
DATE	REVISION	
STATE OF HAWAII DEPARTMENT OF TRANSPORTATION HIGHWAYS DIVISION		
Honouliuli Stream Bridge Abutment Reinforcing Plan		
FARRINGTON HIGHWAY WIDENING Kapolei Golf Course Road to Fort Weaver Road Project No. 7101A-01-20		
Scale: As Shown	Date: Apr. 2022	
SHEET No. SA7.12 OF 20 SHEETS		

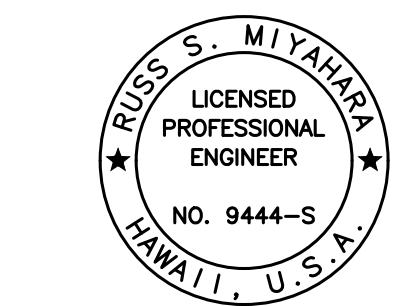
FED. ROAD DIST. NO.	STATE	PROJ. NO.	FISCAL YEAR	SHEET NO.	TOTAL SHEETS
HAWAII	HAW.	7101A-01-20	2021	ADD. 383	



TYPICAL END BEAM REINFORCING PLAN A
 Scale: 1/2" = 1'-0" SA7.13 SA7.13

SURVEY PLOTTED BY	DATE
DRAWN BY	
DESIGNED BY	
QUANTITIES BY	
CHECKED BY	
ORIGINAL PLAN	
NOTE BOOK	
No.	

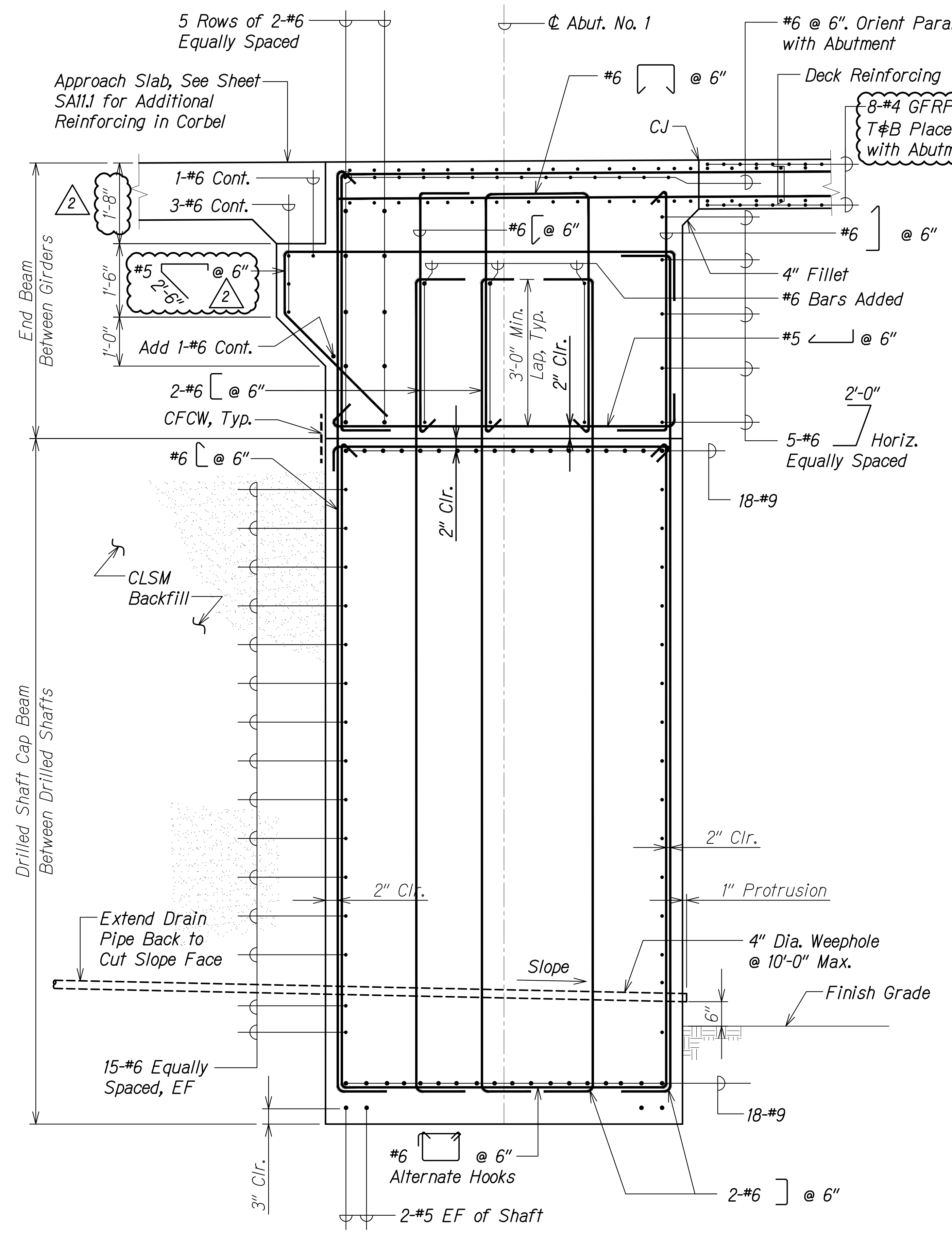
DRAWING NAME: Z:\ADD ON\DRAWINGS\20-013-FARR-HWY-KAPOLEI-GC-10-ET-WP-RMTC\01-GAD\06-06-21-ADD1-DETAILED\HWY-540711-ABUT1-PLAN-ADD1.DWG PLOT TIME: 06-06-22 3:24 PM



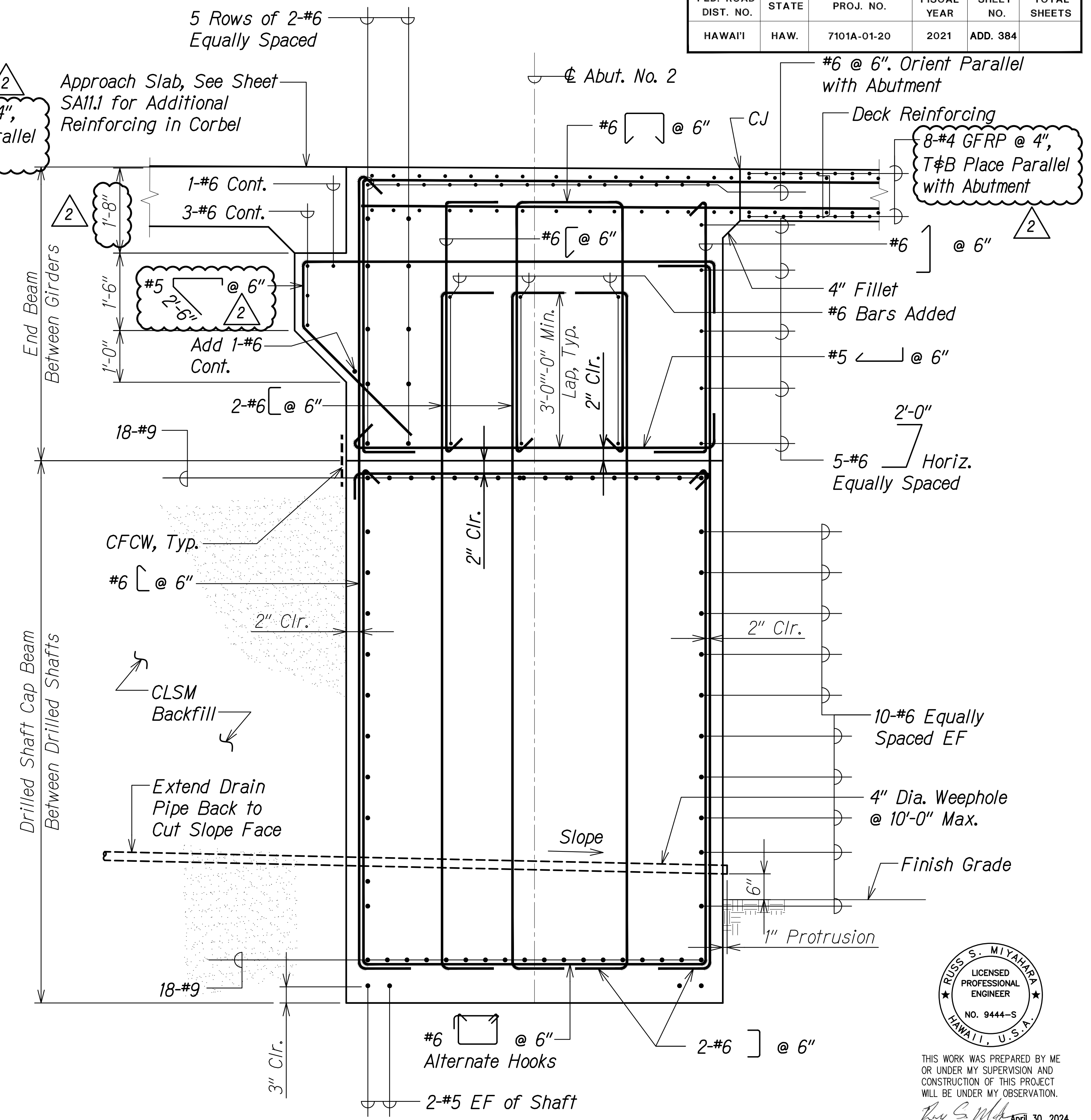
THIS WORK WAS PREPARED BY ME OR UNDER MY SUPERVISION AND CONSTRUCTION OF THIS PROJECT WILL BE UNDER MY OBSERVATION.
 Signature: *Rugs S. Miyahara*
 April 30, 2024
 EXPIRATION DATE OF THE LICENSE

06/08/22	2	Revised Reinforcing Length
DATE		REVISION
STATE OF HAWAII DEPARTMENT OF TRANSPORTATION HIGHWAYS DIVISION		
Honouliuli Stream Bridge Abutment Reinforcing Plan		
FARRINGTON HIGHWAY WIDENING Kapolei Golf Course Road to Fort Weaver Road Project No. 7101A-01-20		
Scale: As Shown		Date: Apr. 2022
SHEET No. SA7.13 OF 20 SHEETS		

FED. ROAD DIST. NO.	STATE	PROJ. NO.	FISCAL YEAR	SHEET NO.	TOTAL SHEETS
HAWAII	HAW.	7101A-01-20	2021	ADD. 384	



SECTION - ABUTMENT NO. 1 A
Scale: 3/4" = 1'-0" SA7.14 SA7.14



SECTION - ABUTMENT NO. 2 B
Scale: 3/4" = 1'-0" SA7.14 SA7.14

SURVEY PLOTTED BY	DATE
DRAWN BY	
DESIGNED BY	
QUANTITIES BY	
CHECKED BY	
ORIGINAL PLAN No.	

DRAWING NAME: SA7.00 DRNGSNGS-20-013-FARR-HWY-KAPOLEI-GC-ID-ET-WR-REINFORC-01-GAD-06-06-21-ADD1-DELTA2-EHW3-SA0714-HWY-ABUT-SECTION-ADD1-LWG PLOT TIME: 06-06-22, 3:27 PM

RUSS S. MIYAHARA
LICENSED PROFESSIONAL ENGINEER
NO. 9444-S
HAWAII, U.S.A.

THIS WORK WAS PREPARED BY ME OR UNDER MY SUPERVISION AND CONSTRUCTION OF THIS PROJECT WILL BE UNDER MY OBSERVATION.

Signature: *Russ S. Miyahara* April 30, 2024
EXPIRATION DATE OF THE LICENSE

06/08/22	2	Revised Reinforcing
DATE		REVISION

STATE OF HAWAII
DEPARTMENT OF TRANSPORTATION
HIGHWAYS DIVISION

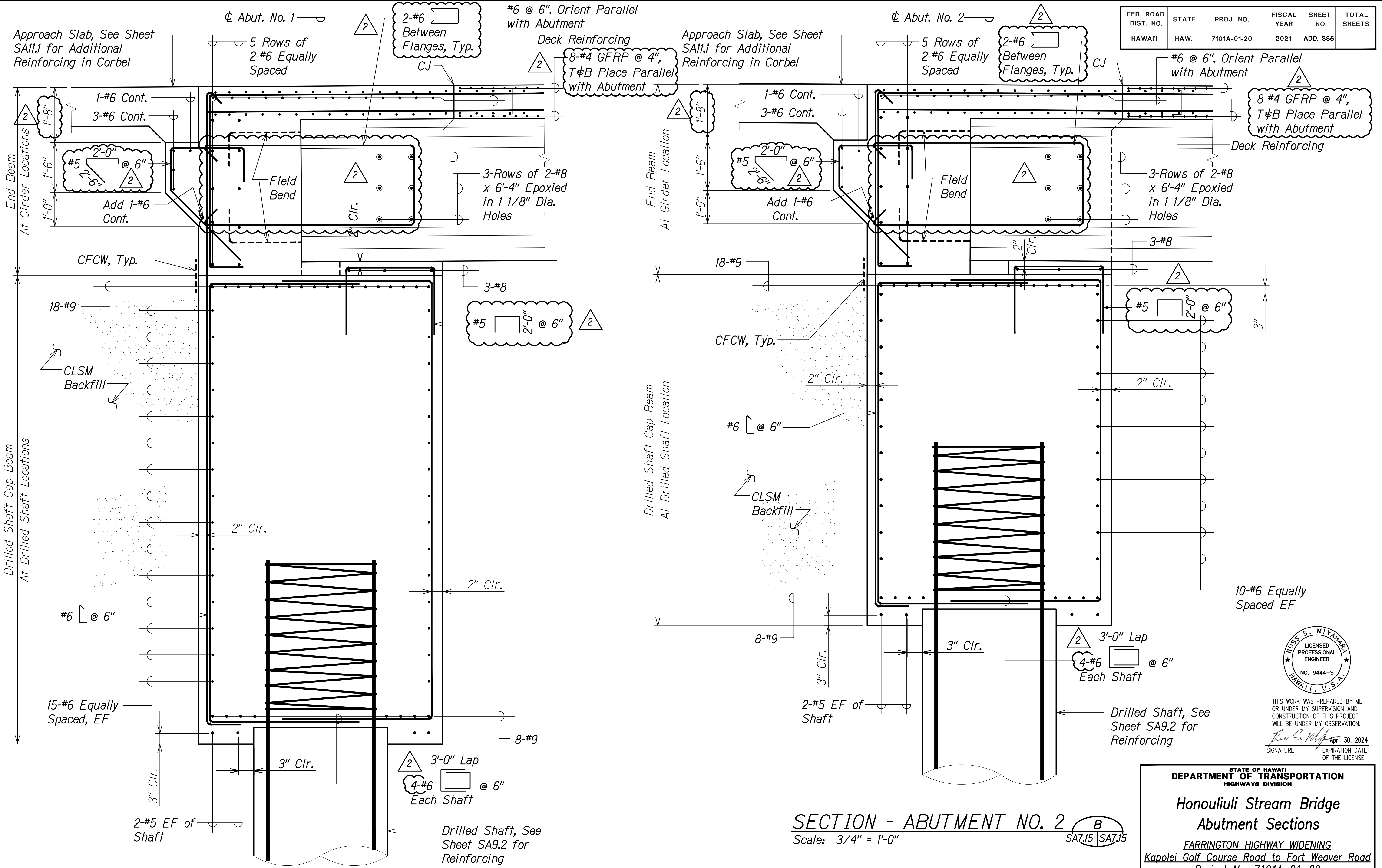
**Honouliuli Stream Bridge
Abutment Sections**

FARRINGTON HIGHWAY WIDENING
Kapolei Golf Course Road to Fort Weaver Road
Project No. 7101A-01-20

Scale: As Shown Date: Apr. 2022

SHEET No. SA7.14 OF 20 SHEETS

FED. ROAD DIST. NO.	STATE	PROJ. NO.	FISCAL YEAR	SHEET NO.	TOTAL SHEETS
HAWAII	HAW.	7101A-01-20	2021	ADD. 385	



SECTION - ABUTMENT NO. 1 (A)
Scale: 3/4" = 1'-0"
SA7.15 | SA7.15

SECTION - ABUTMENT NO. 2 (B)
Scale: 3/4" = 1'-0"
SA7.15 | SA7.15

ORIGINAL PLAN	DATE
DRAWN BY	
DESIGNED BY	
QUANTITIES BY	
CHECKED BY	

DRAWING NAME: SA700-00000000-013-FARR-HWY-KAPOLEI-GC-ID-ET-WR-EMTC(01-GAD)-06-06-21-ADD1-DELTA2-EHW3-S40714-HWY-ABUT-SECTION-ADD1-LWG PLOT TIME: 06-06-22, 3:27 PM

RUSS S. MIYAHARA
LICENSED PROFESSIONAL ENGINEER
NO. 9444-S
HAWAII, U.S.A.

THIS WORK WAS PREPARED BY ME OR UNDER MY SUPERVISION AND CONSTRUCTION OF THIS PROJECT WILL BE UNDER MY OBSERVATION.
Signature: *Russ S. Miyahara* April 30, 2024
EXPIRATION DATE OF THE LICENSE

STATE OF HAWAII
DEPARTMENT OF TRANSPORTATION
HIGHWAYS DIVISION

Honouliuli Stream Bridge
Abutment Sections

FARRINGTON HIGHWAY WIDENING
Kapolei Golf Course Road to Fort Weaver Road
Project No. 7101A-01-20

Scale: As Shown Date: Apr. 2022

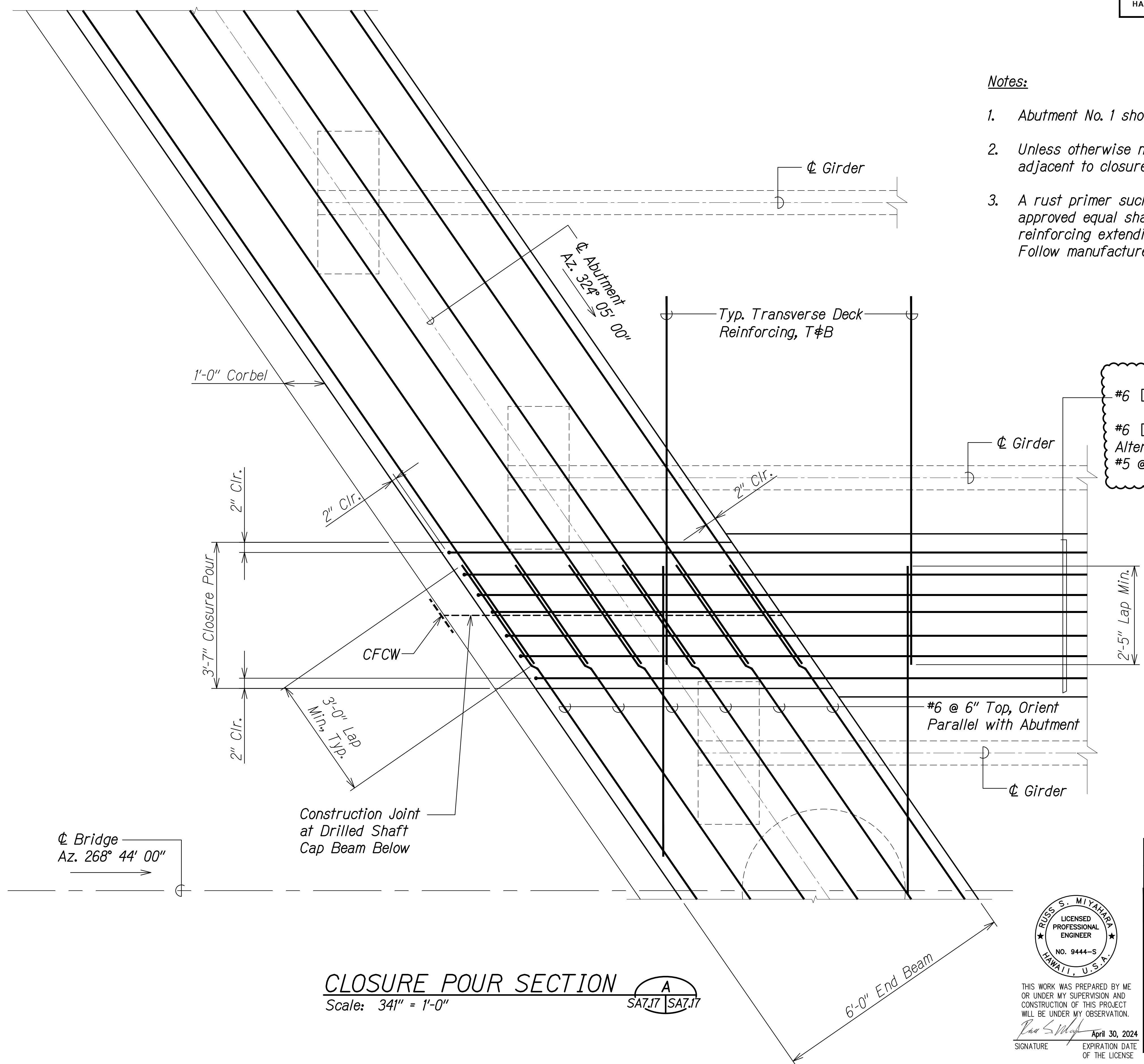
SHEET No. SA7.15 OF 20 SHEETS

06/08/22	2	Revised Reinforcing
DATE		REVISION

FED. ROAD DIST. NO.	STATE	PROJ. NO.	FISCAL YEAR	SHEET NO.	TOTAL SHEETS
HAWAII	HAW.	7101A-01-20	2021	ADD. 387	

Notes:

1. Abutment No. 1 shown. Abutment No. 2 Similar.
2. Unless otherwise noted, deck reinforcing adjacent to closure pour not shown.
3. A rust primer such as CorrVerter MCI or approved equal shall be used on all horizontal reinforcing extending into the closure pour. Follow manufacturer's recommendations.



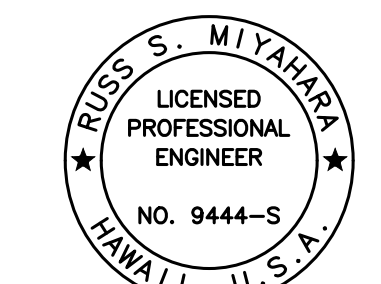
#6 $\frac{35'-0''}{}$ @ 12" and
 #6 $\frac{25'-0''}{}$ @ 12", Top,
 Alternate, 6" Average Spacing.
 #5 @ 6", Bot.

2

SURVEY PLOTTED BY	DATE
DRAWN BY	
DESIGNED BY	
QUANTITIES BY	
CHECKED BY	
ORIGINAL PLAN	
NOTE BOOK	
No.	

DRAWING NAME: Z:\100 CONDOINGS\20-013-FARR-HWY-KAPOLEI\GC\10-ET-WR-EMTC\01-GAD\06-06-21-ADD1-DELTA2\HW3-S40717-HW1-CLOSE-POURING PLOT TIME: 06-06-22: 3:29 PM

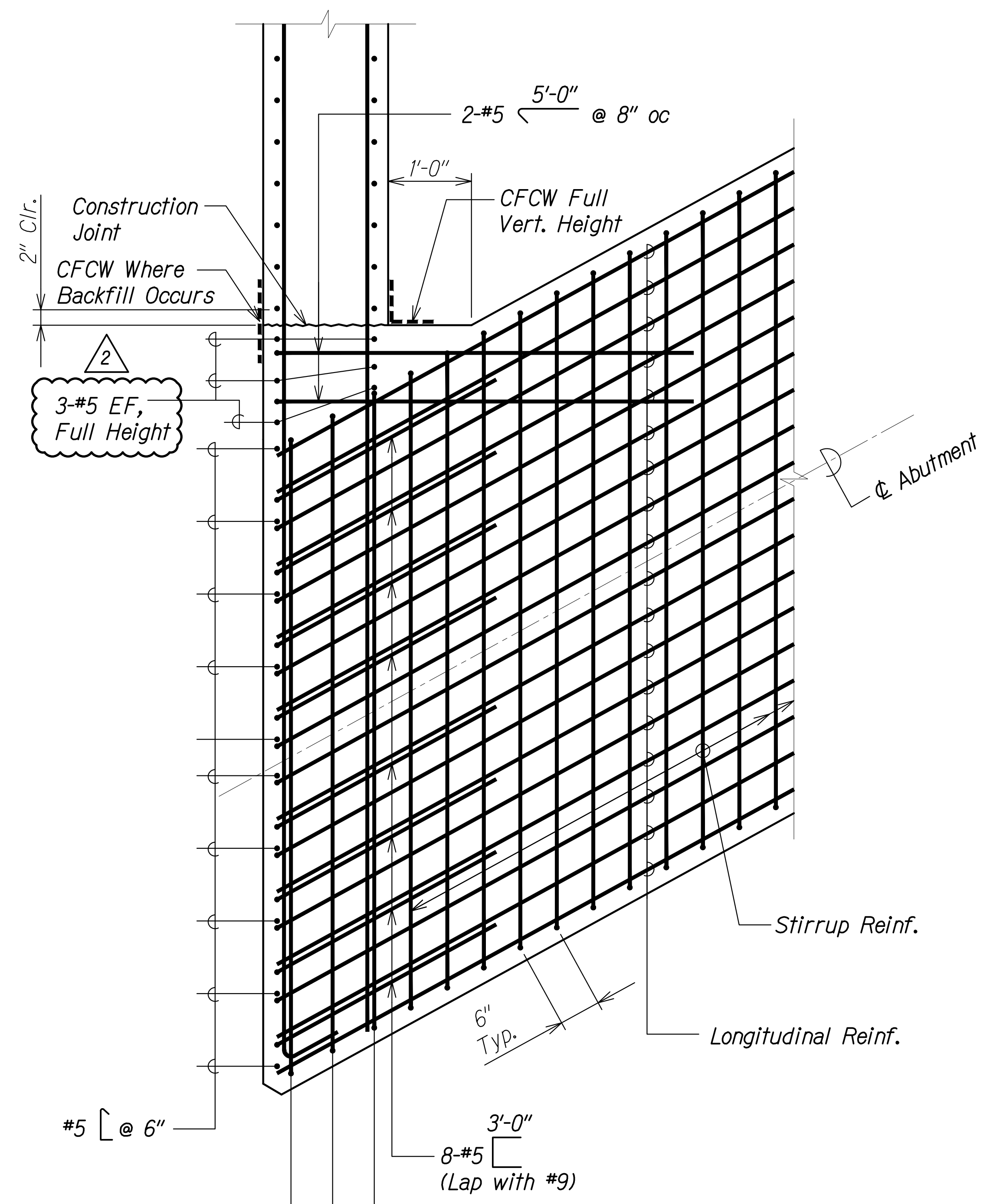
CLOSURE POUR SECTION
 Scale: 3/4" = 1'-0"



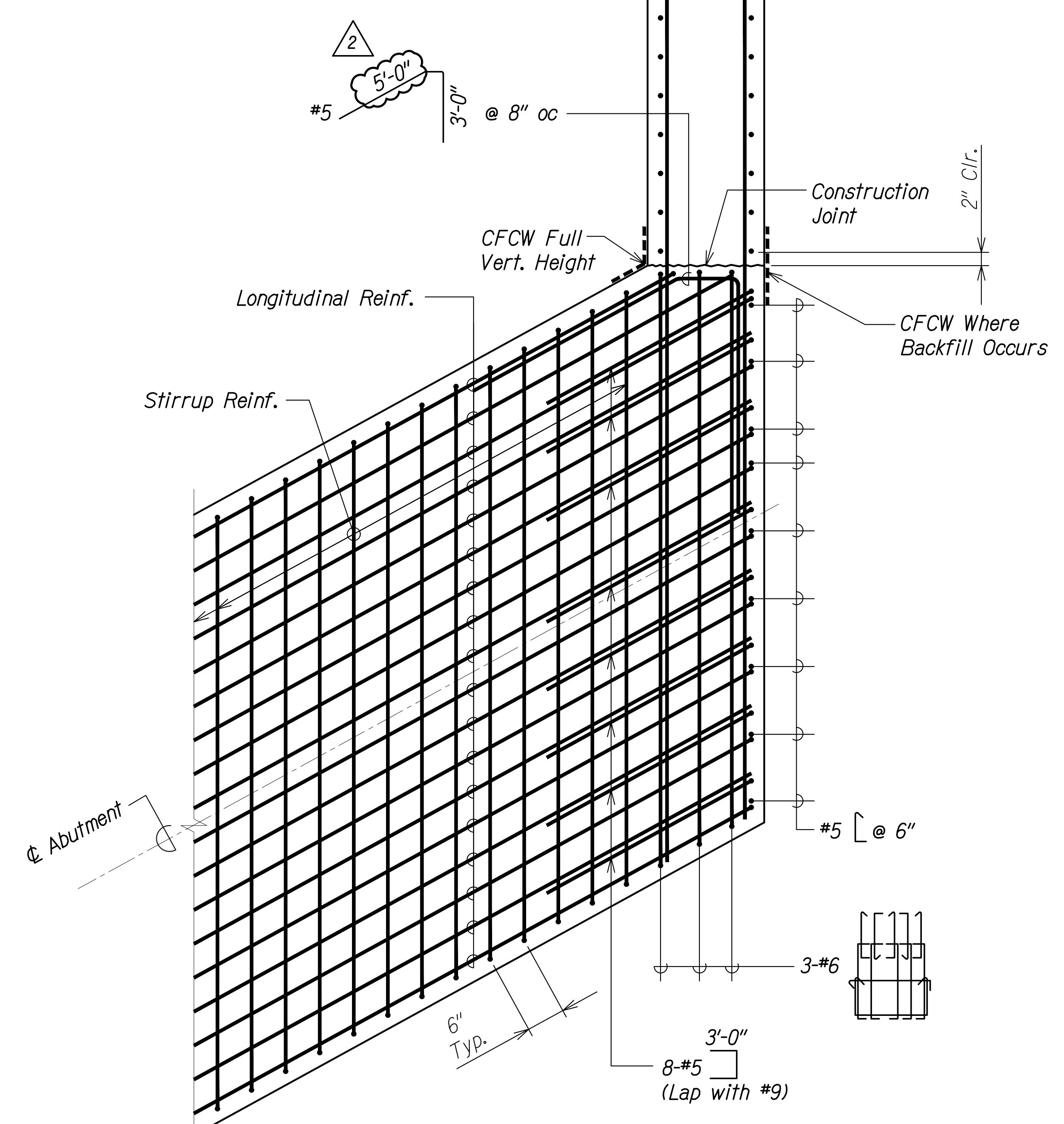
THIS WORK WAS PREPARED BY ME OR UNDER MY SUPERVISION AND CONSTRUCTION OF THIS PROJECT WILL BE UNDER MY OBSERVATION.
 Signature: *Russ S. Miyahara*
 April 30, 2024
 EXPIRATION DATE OF THE LICENSE

06/08/22	2	Revised Reinforcing
DATE	REVISION	
STATE OF HAWAII DEPARTMENT OF TRANSPORTATION HIGHWAYS DIVISION		
Honouliuli Stream Bridge Abutment Closure Pour Section		
FARRINGTON HIGHWAY WIDENING Kapolei Golf Course Road to Fort Weaver Road Project No. 7101A-01-20		
Scale: As Shown	Date: Apr. 2022	

FED. ROAD DIST. NO.	STATE	PROJ. NO.	FISCAL YEAR	SHEET NO.	TOTAL SHEETS
HAWAII	HAW.	7101A-01-20	2021	ADD. 388	



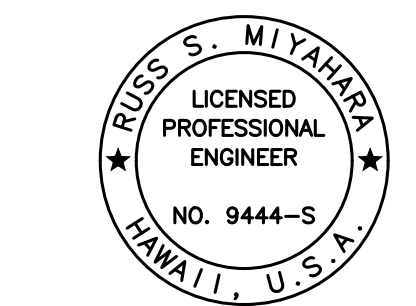
DETAIL 1
Scale: 1" = 1'-0" SA7.7 SA7.18



DETAIL 2
Scale: 1" = 1'-0" SA7.5 SA7.18

SURVEY PLOTTED BY	DATE
DRAWN BY	
DESIGNED BY	
QUANTITIES BY	
CHECKED BY	
ORIGINAL PLAN	
NOTE BOOK	
No.	

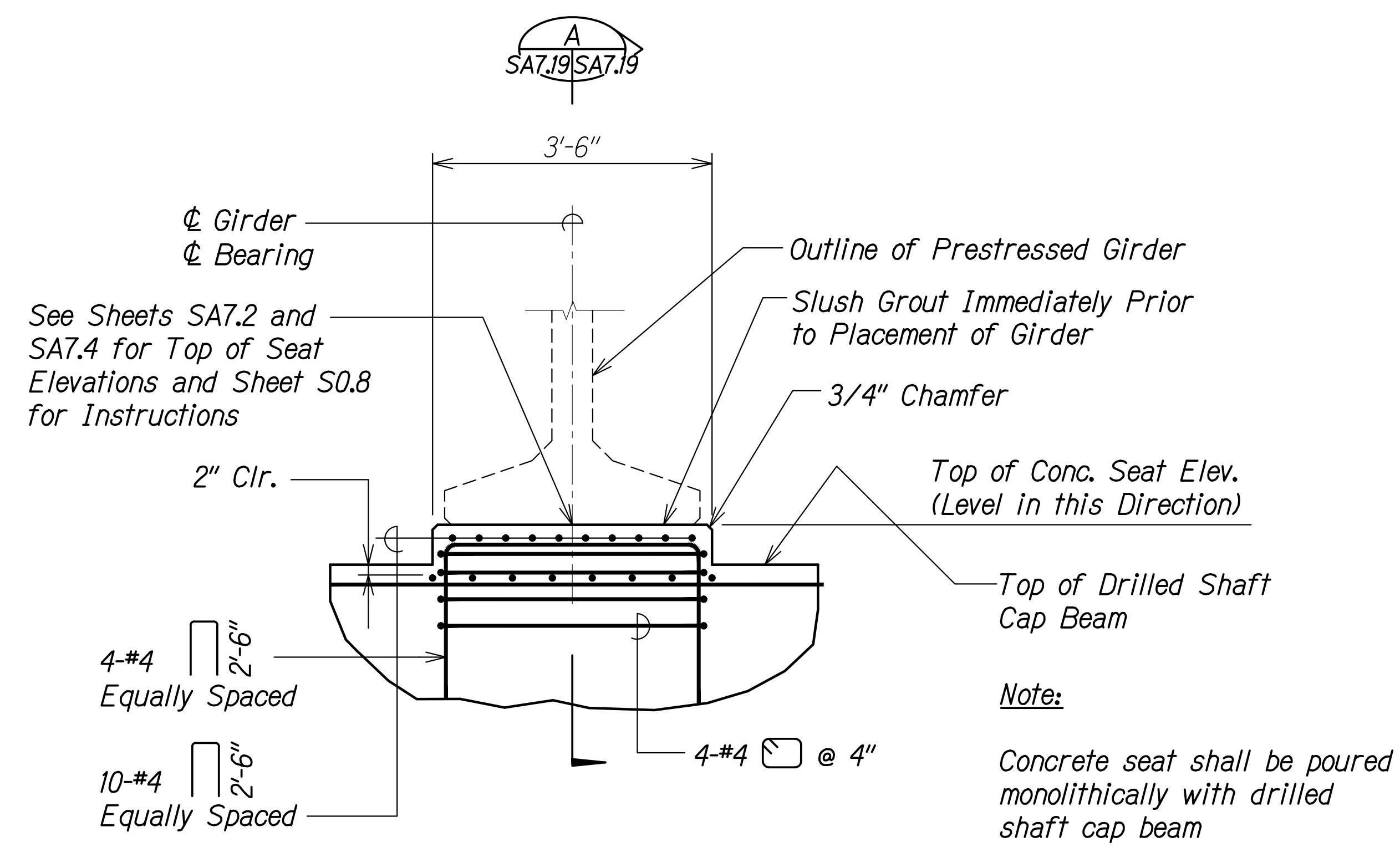
DRAWING NAME: Z:\00 ONGOING\20-013-FARR-HWY-KAPOLEI-GC-10-ET-WR-EMTC\01-GAD\06-06-21-ADD1-DELTA2\EMTS-S40718-HWY-ABUTL-REIN-ADD1.DWG PLOT TIME: 06-06-22 3:30 PM



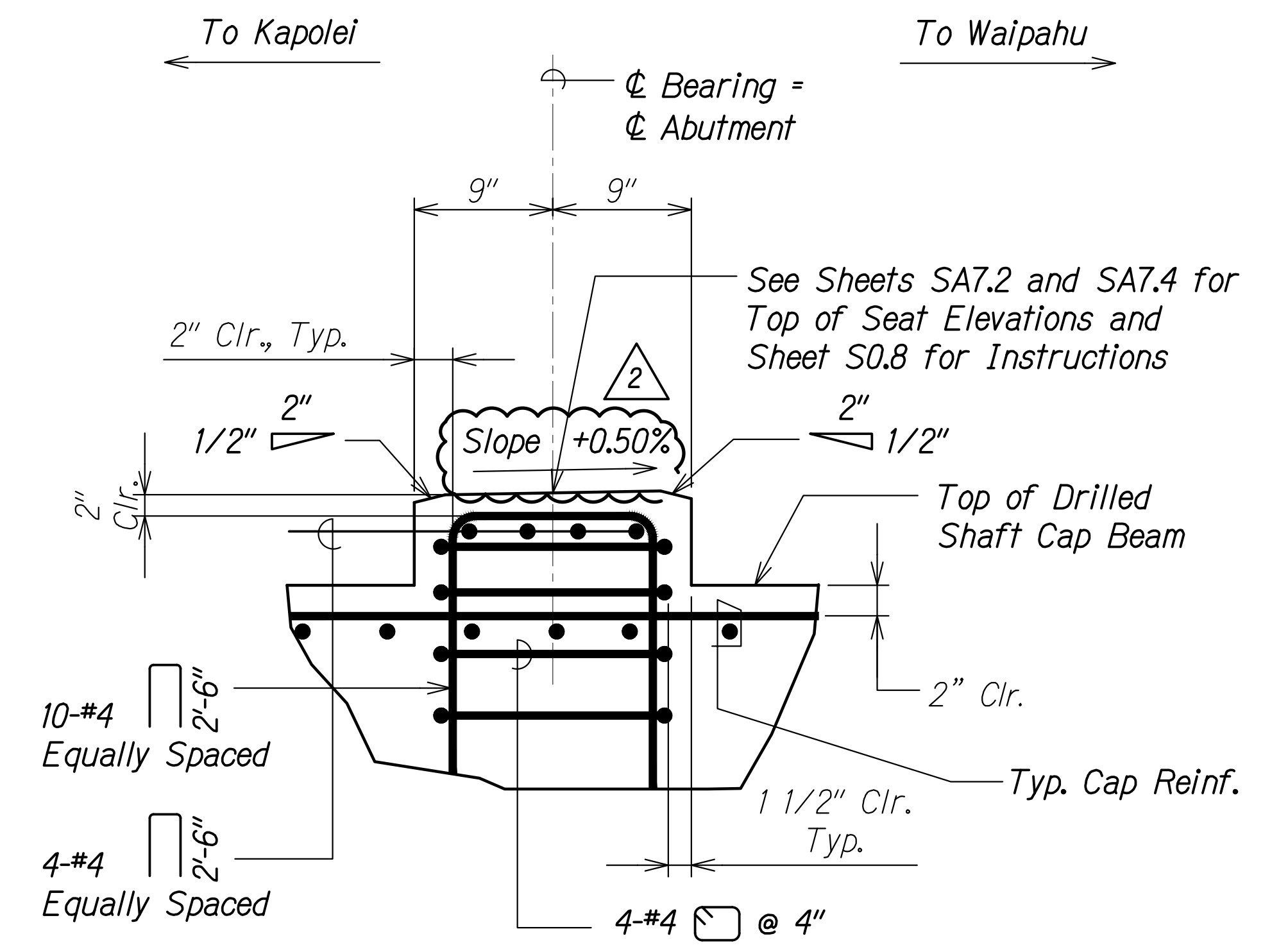
THIS WORK WAS PREPARED BY ME OR UNDER MY SUPERVISION AND CONSTRUCTION OF THIS PROJECT WILL BE UNDER MY OBSERVATION.
 Signature: *Russ S. Miyahara*
 April 30, 2024
 EXPIRATION DATE OF THE LICENSE

06/08/22	2	Revised Reinforcing
DATE		REVISION
STATE OF HAWAII DEPARTMENT OF TRANSPORTATION HIGHWAYS DIVISION Honouliuli Stream Bridge Abutment Details FARRINGTON HIGHWAY WIDENING Kapolei Golf Course Road to Fort Weaver Road Project No. 7101A-01-20		
Scale: As Shown		Date: Apr. 2022
SHEET No. SA7.18 OF 20 SHEETS		

FED. ROAD DIST. NO.	STATE	PROJ. NO.	FISCAL YEAR	SHEET NO.	TOTAL SHEETS
HAWAII	HAW.	7101A-01-20	2021	ADD. 389	



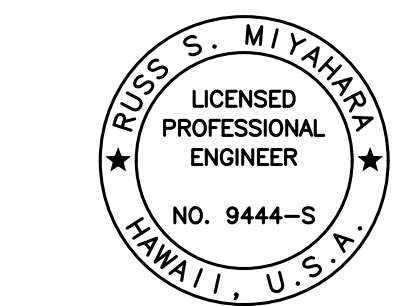
TYPICAL CONCRETE SEAT DETAIL
 Scale: 3/4" = 1'-0"
 SA7.19 SA7.19



SECTION A
 Scale: 1 1/2" = 1'-0"
 SA7.19 SA7.19

SURVEY PLOTTED BY	DATE
DRAWN BY	
DESIGNED BY	
QUANTITIES BY	
CHECKED BY	
ORIGINAL PLAN	
NOTE BOOK	
No.	

DRAWING NAME: Z:\100 ONGOING\20-013-FARR-HWY-KAPOLEI\06-10-ET-WP2-RMT\01-CAD\06-06-21-ADD1-DETA2\THW3-SA0719-CONC-SEAT-ADD1.DWG PLOT TIME: 06-06-22 12:02 PM

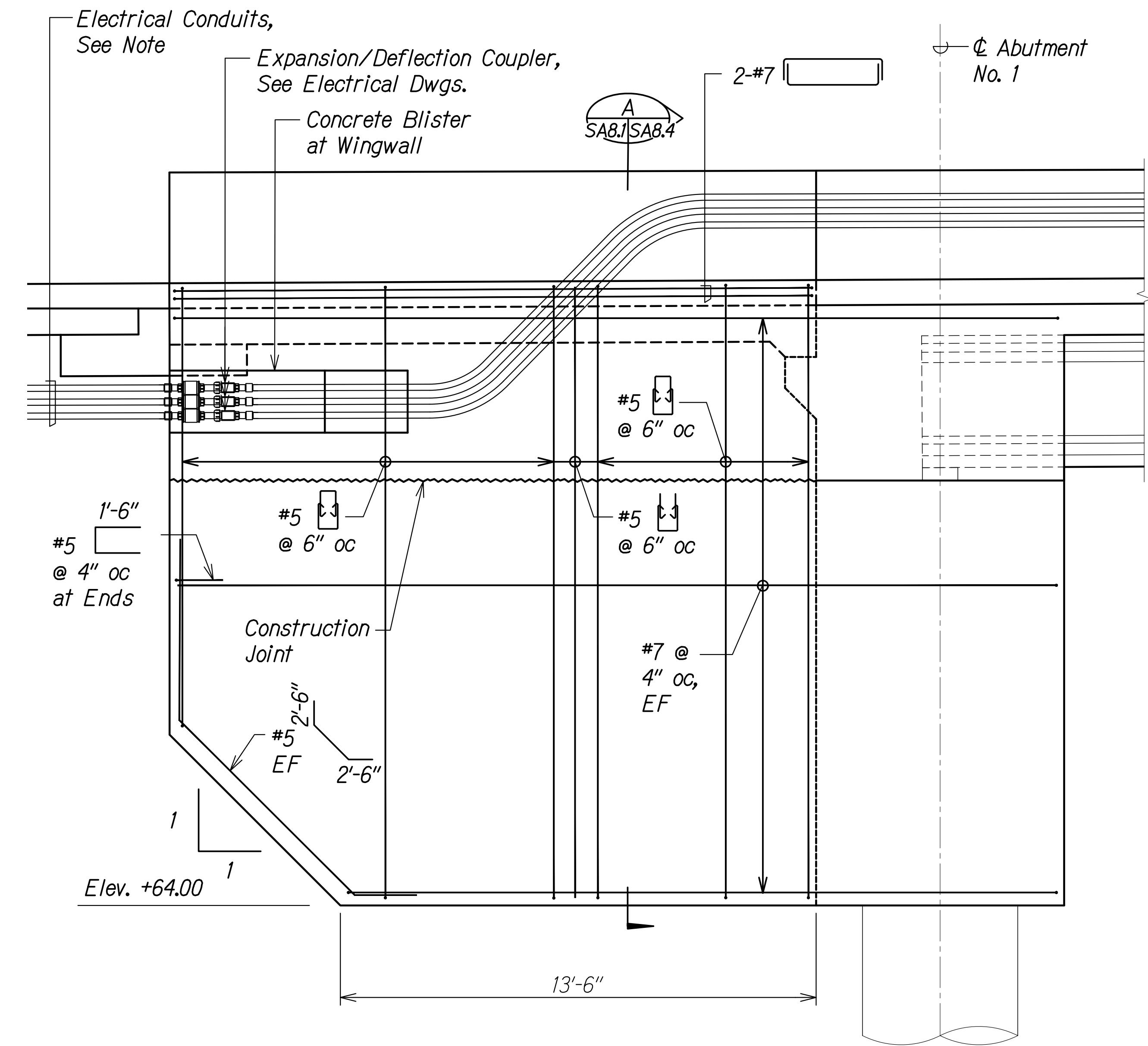


THIS WORK WAS PREPARED BY ME OR UNDER MY SUPERVISION AND CONSTRUCTION OF THIS PROJECT WILL BE UNDER MY OBSERVATION.

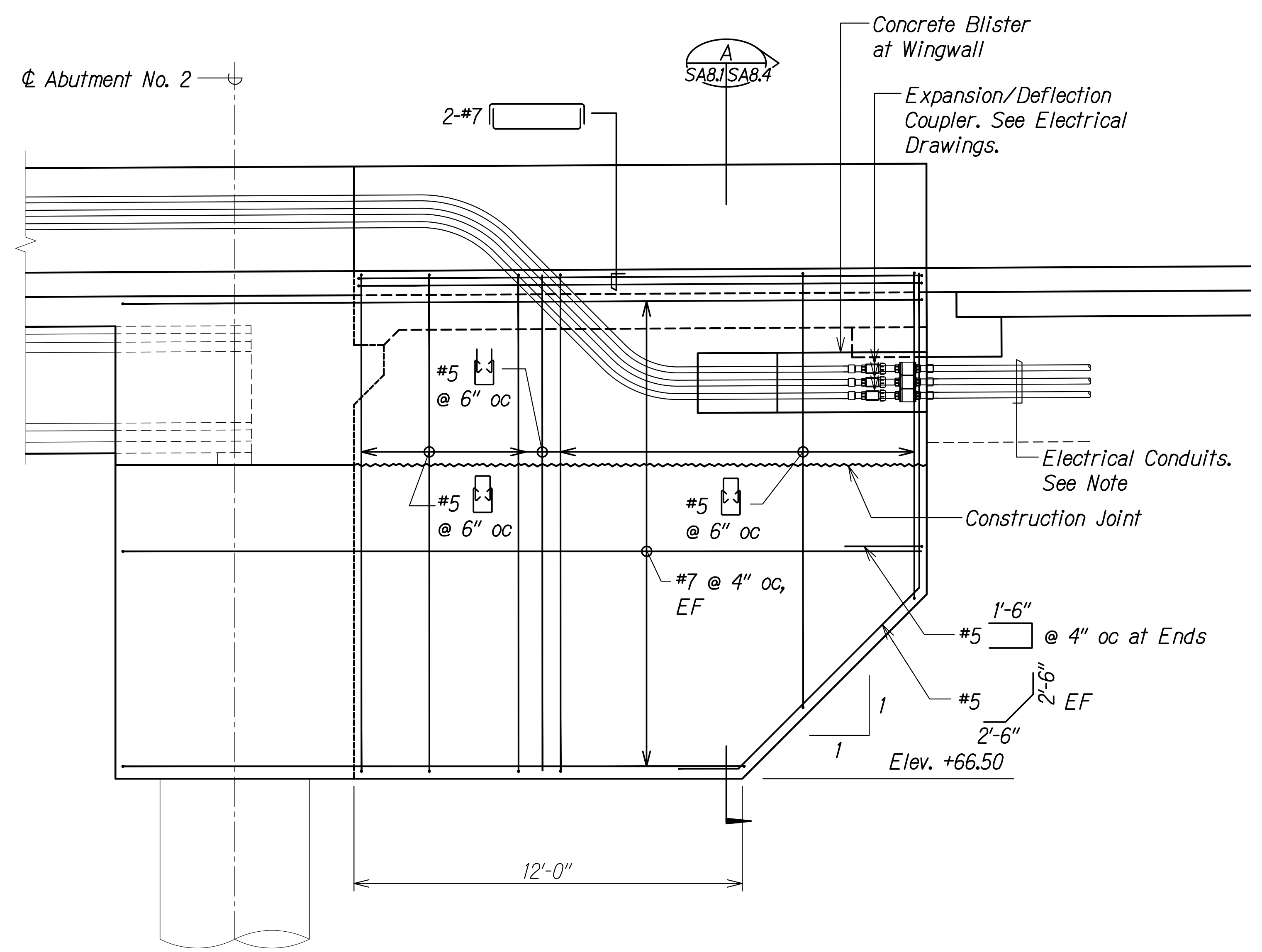
Rugo S. Miyakawa
 SIGNATURE April 30, 2024
 EXPIRATION DATE OF THE LICENSE

06/08/22	2	Seat Slope
DATE	REVISION	
STATE OF HAWAII DEPARTMENT OF TRANSPORTATION HIGHWAYS DIVISION		
Honouliuli Stream Bridge Concrete Seat Detail and Section		
FARRINGTON HIGHWAY WIDENING Kapolei Golf Course Road to Fort Weaver Road Project No. 7101A-01-20		
Scale: As Shown	Date: Apr. 2022	
SHEET No. SA7.19 OF 20 SHEETS		

FED. ROAD DIST. NO.	STATE	PROJ. NO.	FISCAL YEAR	SHEET NO.	TOTAL SHEETS
HAWAII	HAW.	7101A-01-20	2021	ADD. 391	



WINGWALL NO. 1
 REINFORCING ELEVATION A
 Scale: 3/8" = 1'-0" SA8.1 SA8.1



WINGWALL NO. 3
 REINFORCING ELEVATION B
 Scale: 3/8" = 1'-0" SA8.1 SA8.1

SURVEY PLOTTED BY	DATE
DRAWN BY	
DESIGNED BY	
QUANTITIES BY	
CHECKED BY	
ORIGINAL PLAN	
NOTE BOOK	
No.	

DRAWING NAME: Z:\A\00\CONCRETE\20-013-FARR-HWY-KAPOLEI.GC.ID.IT.WPG-EMTC\01.GRD\06-06-21\ADD1-DELTA2\HWY3-SA801-HWY.WWALL-ADD1.DWG PLOT TIME: 06-06-22, 3:40 PM

- Note: 2
- (3) 2" Dia. conduits in Wingwall Nos. 1 and 3.

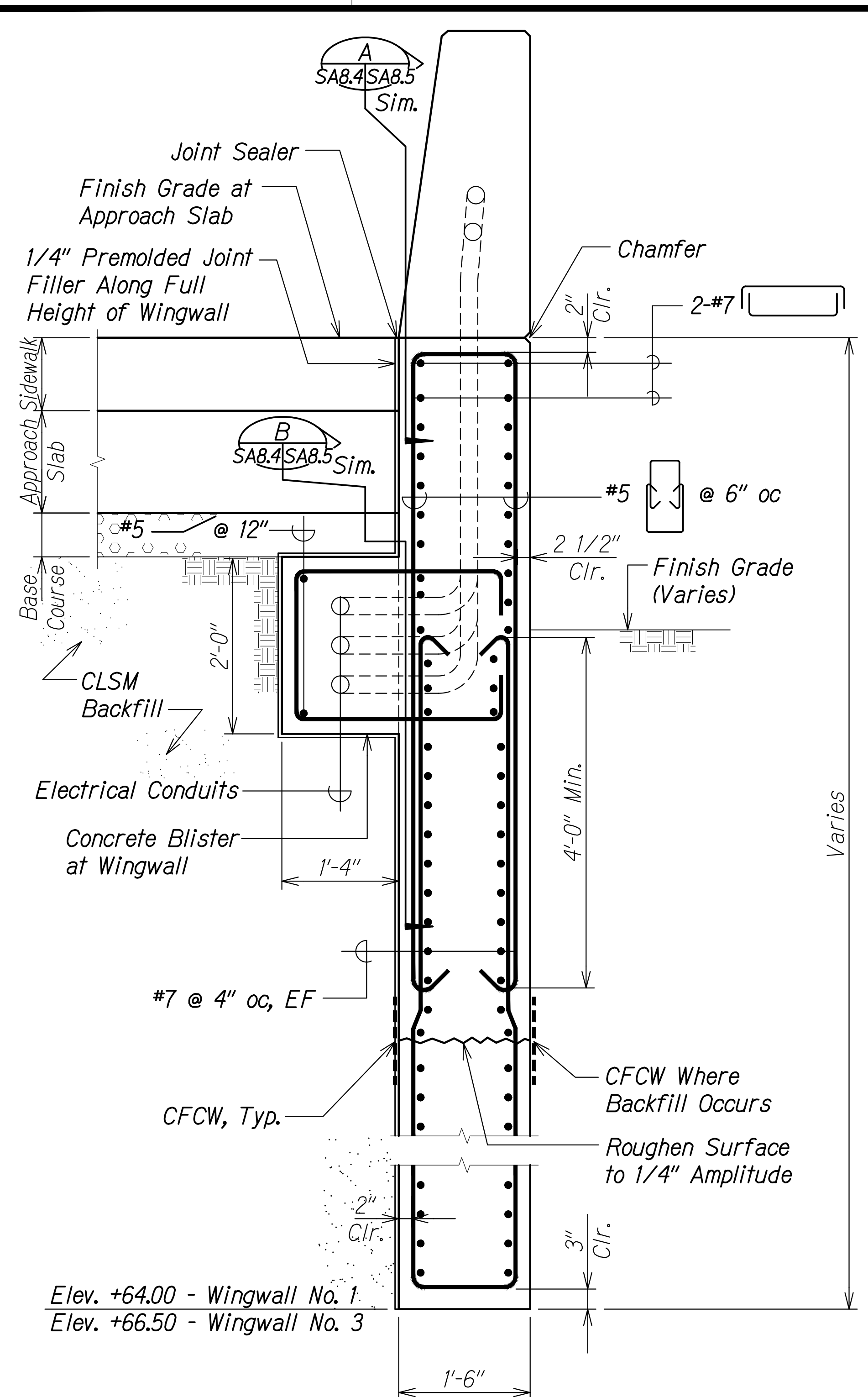
RUGS S. MIYAHARA
 LICENSED PROFESSIONAL ENGINEER
 NO. 9444-S
 HAWAII, U.S.A.

THIS WORK WAS PREPARED BY ME OR UNDER MY SUPERVISION AND CONSTRUCTION OF THIS PROJECT WILL BE UNDER MY OBSERVATION.
 Signature: *Rugs S. Miyahara*
 April 30, 2024
 EXPIRATION DATE OF THE LICENSE

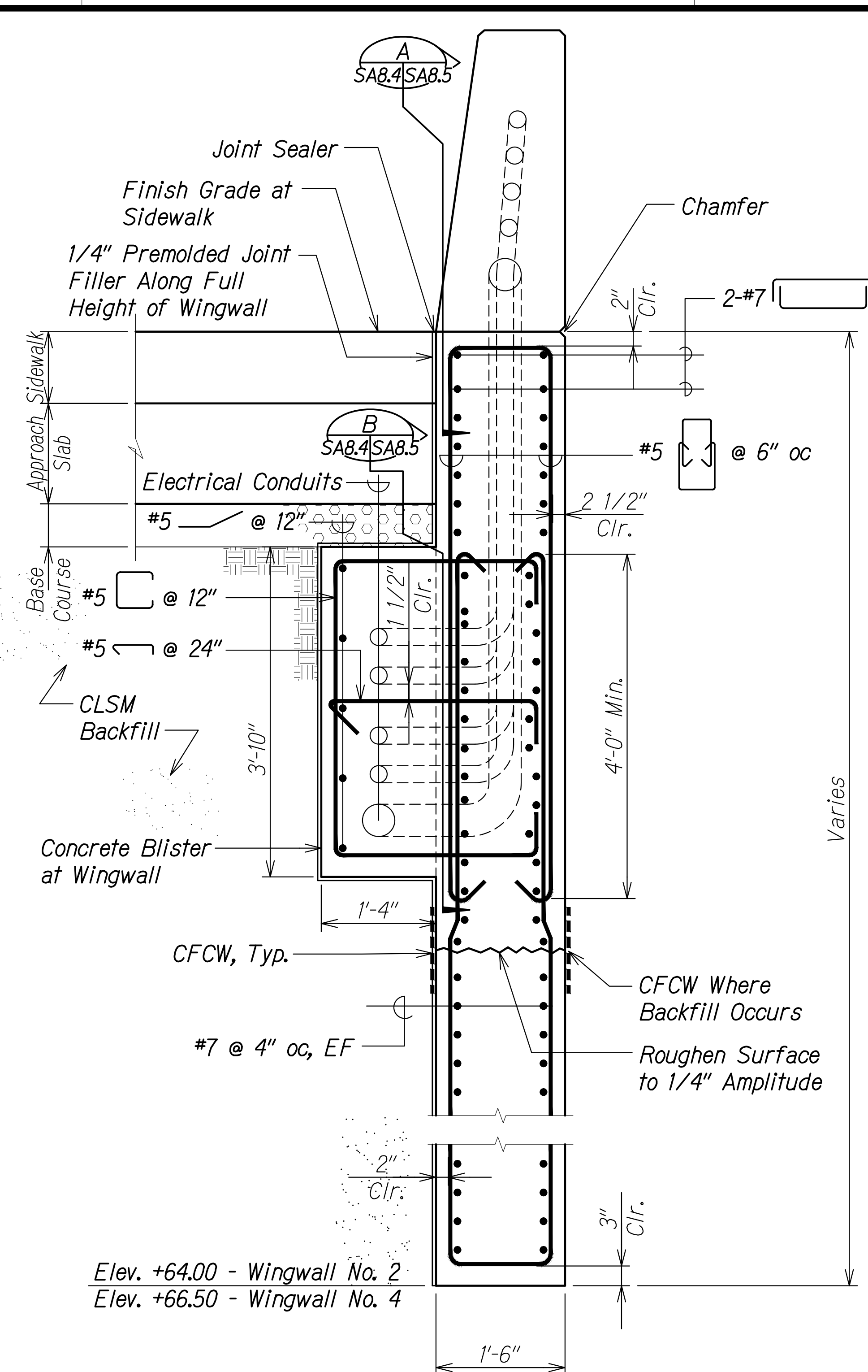
06/08/22	2 Revised Note
DATE	REVISION
STATE OF HAWAII DEPARTMENT OF TRANSPORTATION HIGHWAYS DIVISION	
Honouliuli Stream Bridge Wingwall Reinforcing Elevations	
FARRINGTON HIGHWAY WIDENING Kapolei Golf Course Road to Fort Weaver Road Project No. 7101A-01-20	
Scale: As Shown	Date: Apr. 2022
SHEET No. SA8.1 OF 5 SHEETS	

FED. ROAD DIST. NO.	STATE	PROJ. NO.	FISCAL YEAR	SHEET NO.	TOTAL SHEETS
HAWAII	HAW.	7101A-01-20	2021	ADD. 394	

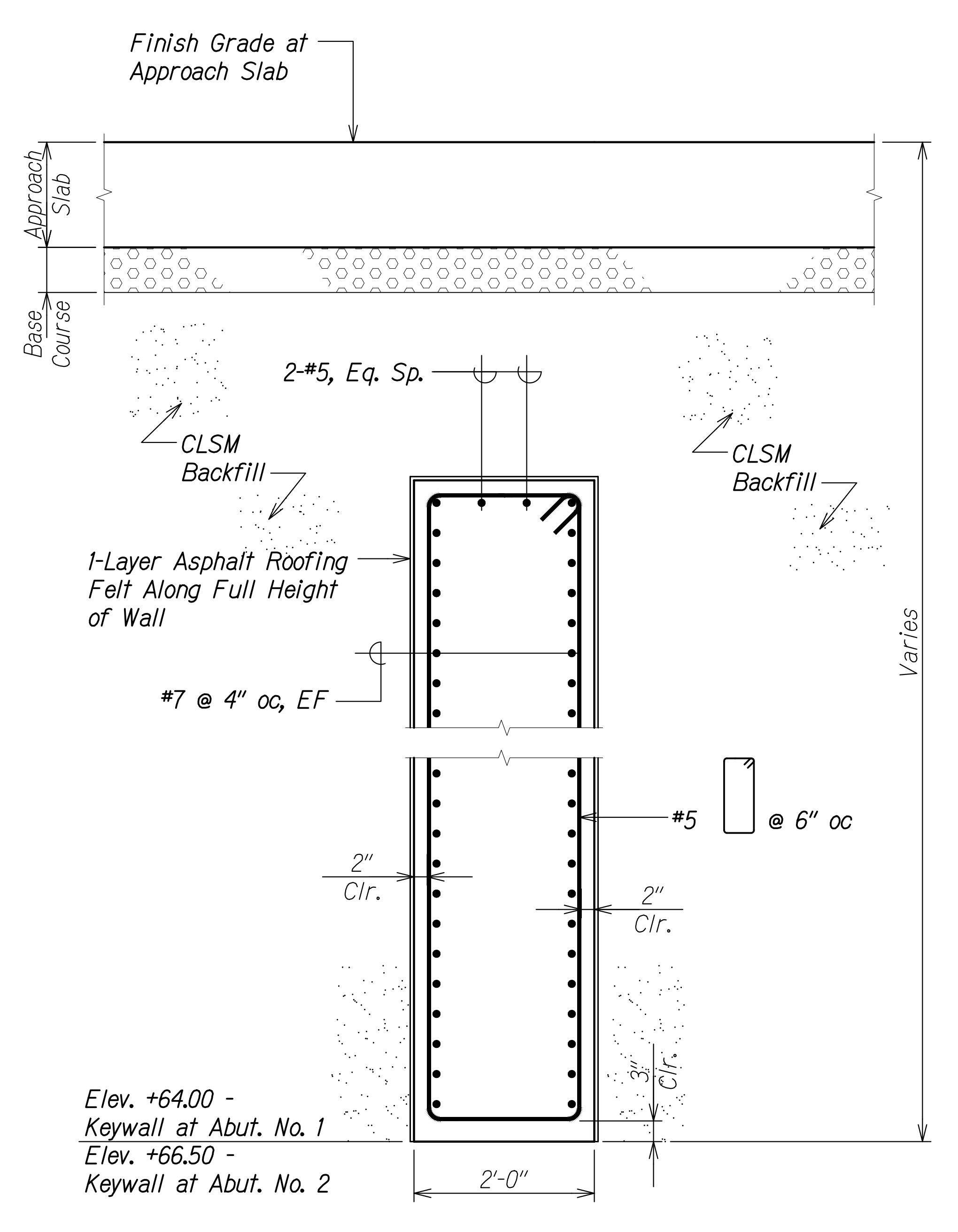
DRAWING NAME: Z:\100 ONGOING\20-013-FARR-HW-KAPOLEI GC TO FT WALKER\101 CAD\06-06-21 ADD1 DELTA2\DWG-SAB8.4-HW-WALL-ADD.DWG PLOT TIME: 06-06-22, 3:41 PM



WINGWALLS NO. 1 AND 3 SECTION A
Scale: 1" = 1'-0"
SAB.1 SAB.4

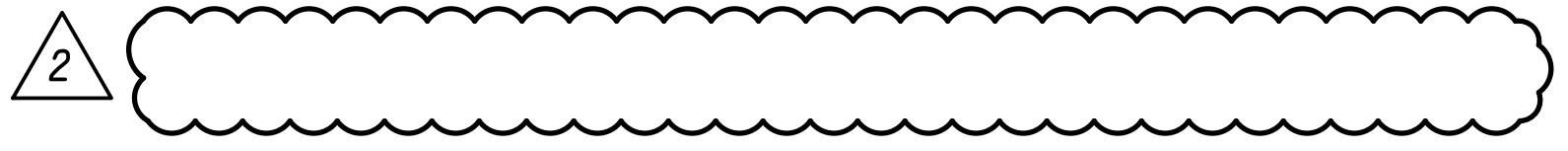


WINGWALLS NO. 2 AND 4 SECTION B
Scale: 1" = 1'-0"
SAB.3 SAB.4




TYPICAL KEYWALLS SECTION C
Scale: 1" = 1'-0"
SAB.2 SAB.4

Note:
1. Elevations at bottom of wingwall are taken at the lowest point. Bottom of wingwall elevation changes along the length.



SURVEY PLOTTED BY	DATE
DRAWN BY	
DESIGNED BY	
QUANTITIES BY	
CHECKED BY	
ORIGINAL PLAN No.	

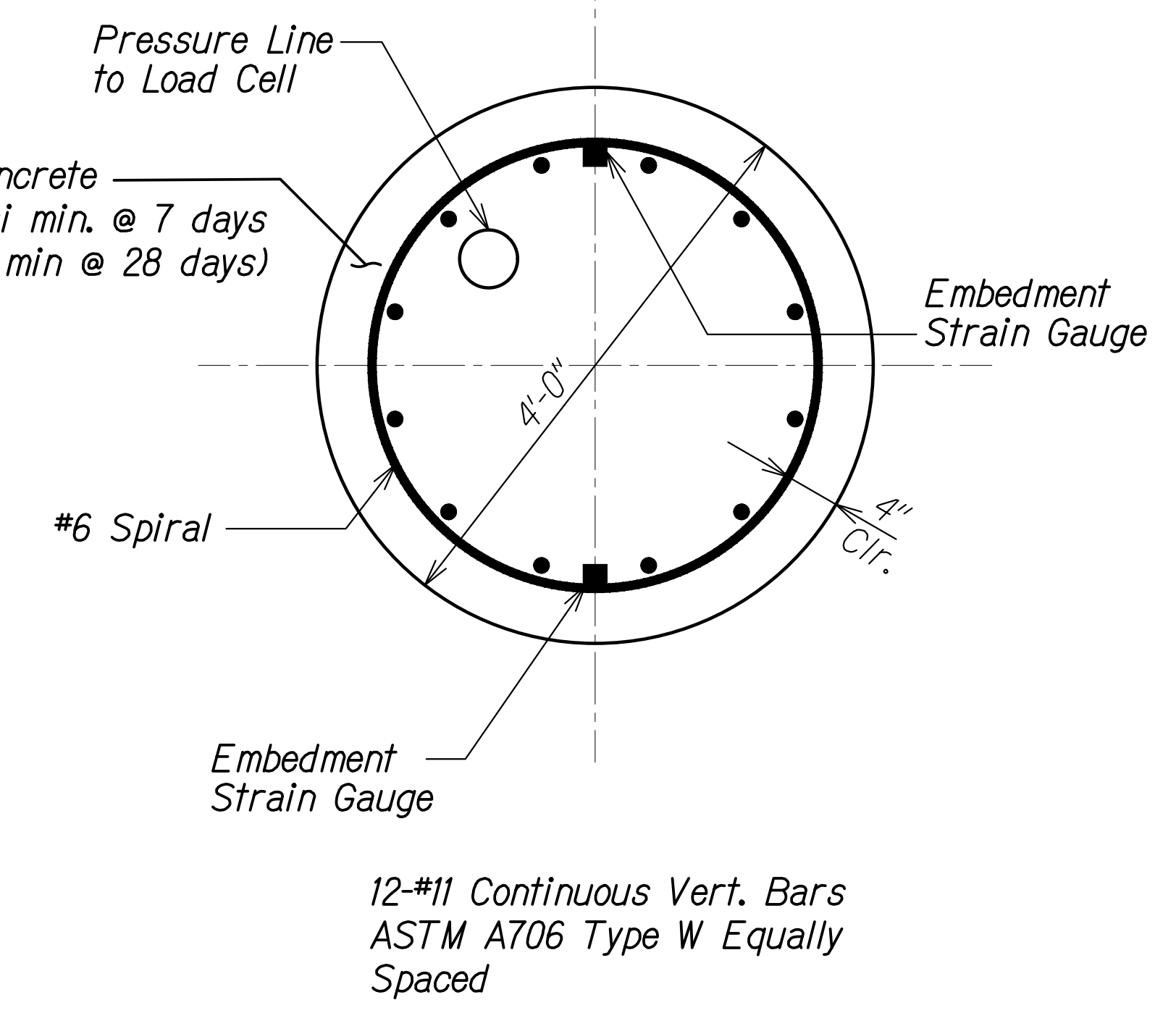
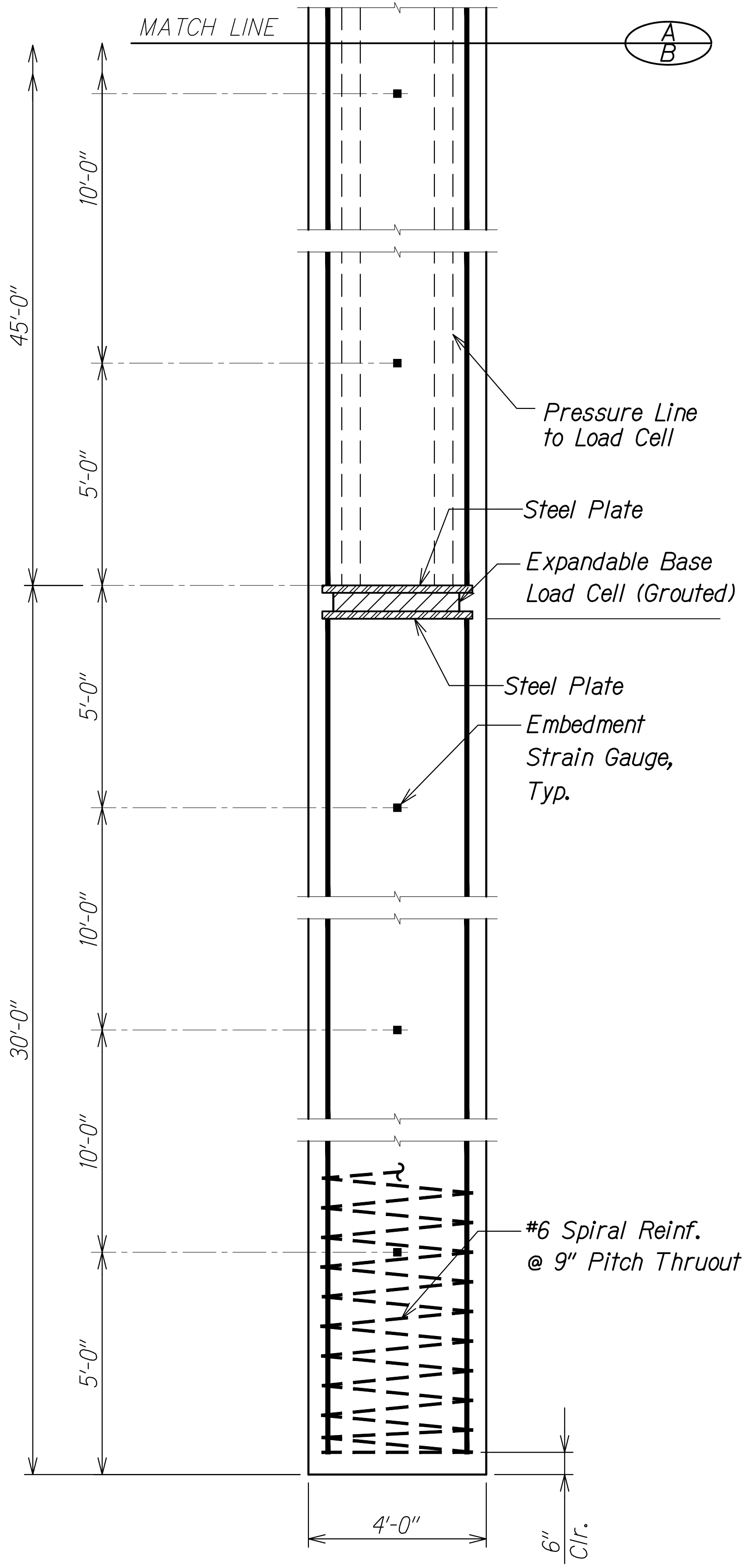
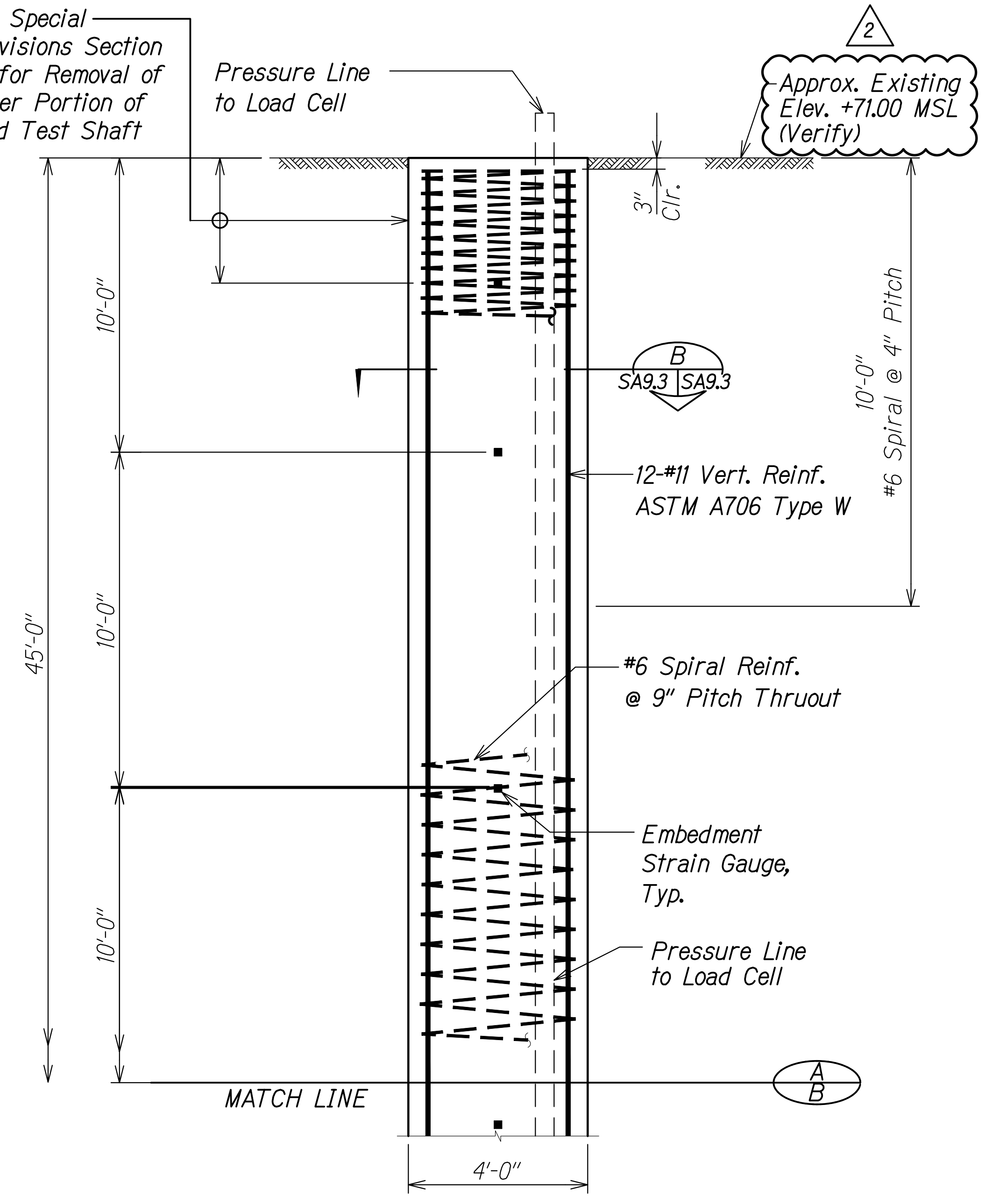
06/08/22	2	Delete Note
DATE		REVISION


 THIS WORK WAS PREPARED BY ME OR UNDER MY SUPERVISION AND CONSTRUCTION OF THIS PROJECT WILL BE UNDER MY OBSERVATION.
 Signature: *Russ S. Miyahara*
 April 30, 2024
 EXPIRATION DATE OF THE LICENSE

STATE OF HAWAII
 DEPARTMENT OF TRANSPORTATION
 HIGHWAYS DIVISION
Honouliuli Stream Bridge
Wingwall and Keywall Sections
 FARRINGTON HIGHWAY WIDENING
 Kapolei Golf Course Road to Fort Weaver Road
 Project No. 7101A-01-20
 Scale: As Shown Date: Apr. 2022
SHEET No. SA8.4 OF 5 SHEETS

FED. ROAD DIST. NO.	STATE	PROJ. NO.	FISCAL YEAR	SHEET NO.	TOTAL SHEETS
HAWAII	HAW.	7101A-01-20	2021	ADD. 398	

See Special Provisions Section 511 for Removal of Upper Portion of Load Test Shaft

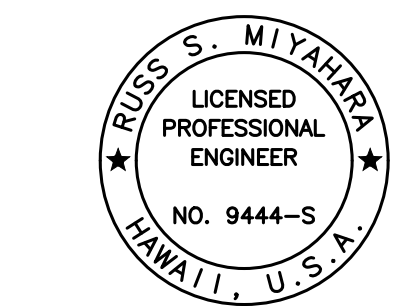


SECTION
Scale: 1" = 1'-0"
SA9.3 | SA9.3

4'-0" DIAMETER LOAD TEST SHAFT ELEVATION
Scale: 1/2" = 1'-0"
SA9.3 | SA9.3

SURVEY PLOTTED BY	DATE
DRAWN BY	
DESIGNED BY	
QUANTITIES BY	
CHECKED BY	
ORIGINAL PLAN No.	

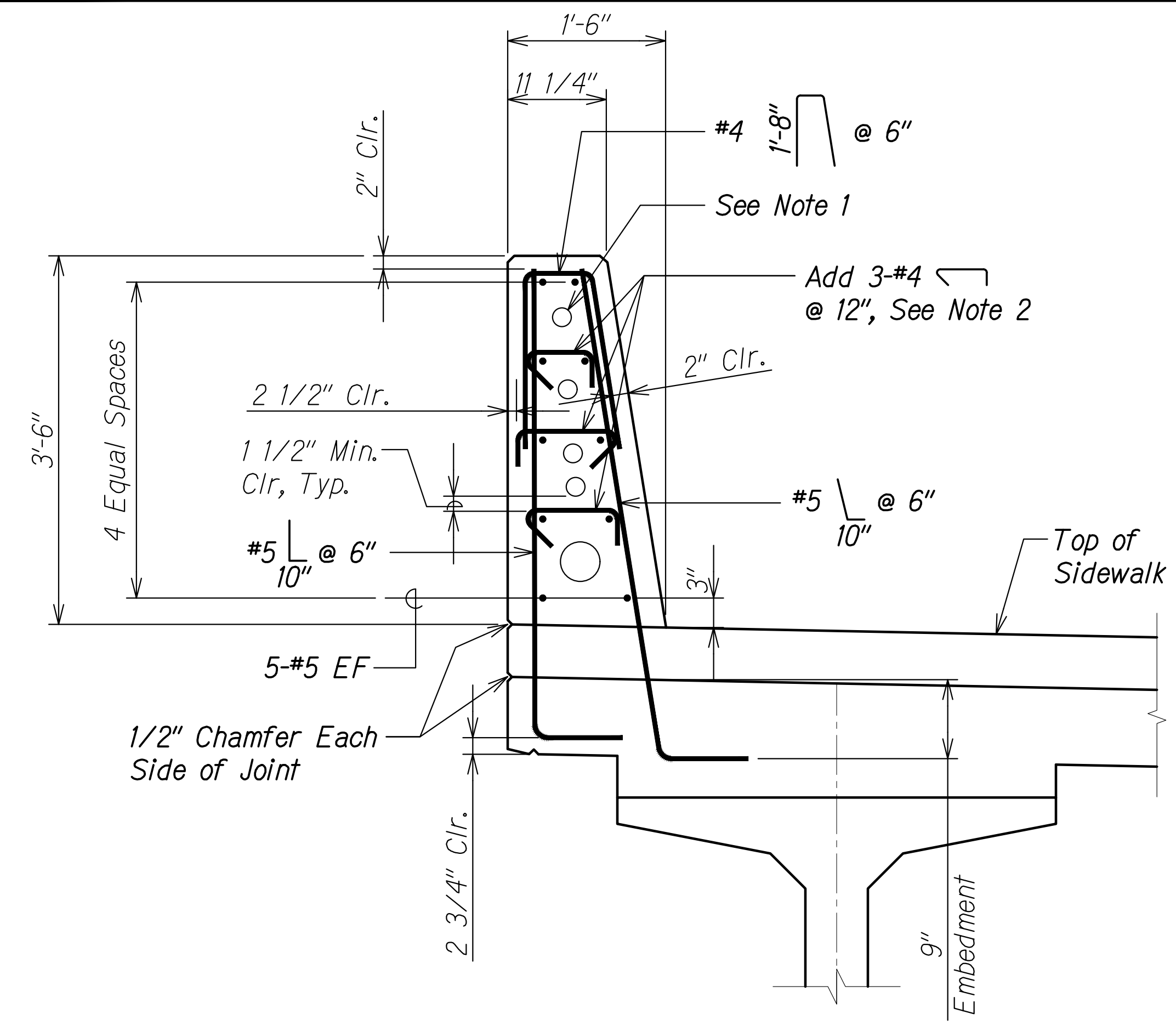
DRAWING NAME: Z:\100 ONGOING\20-013-FARR-HWY-KAPOLEI GC ID: ET-WP2-EMTC\01-GAD\06-06-21-ADD1-DELTA2\EMHS-SAG903-DRILLED-SHAFT-DET-ADD.LWG PLOT TIME: 06-06-22, 3:42 PM



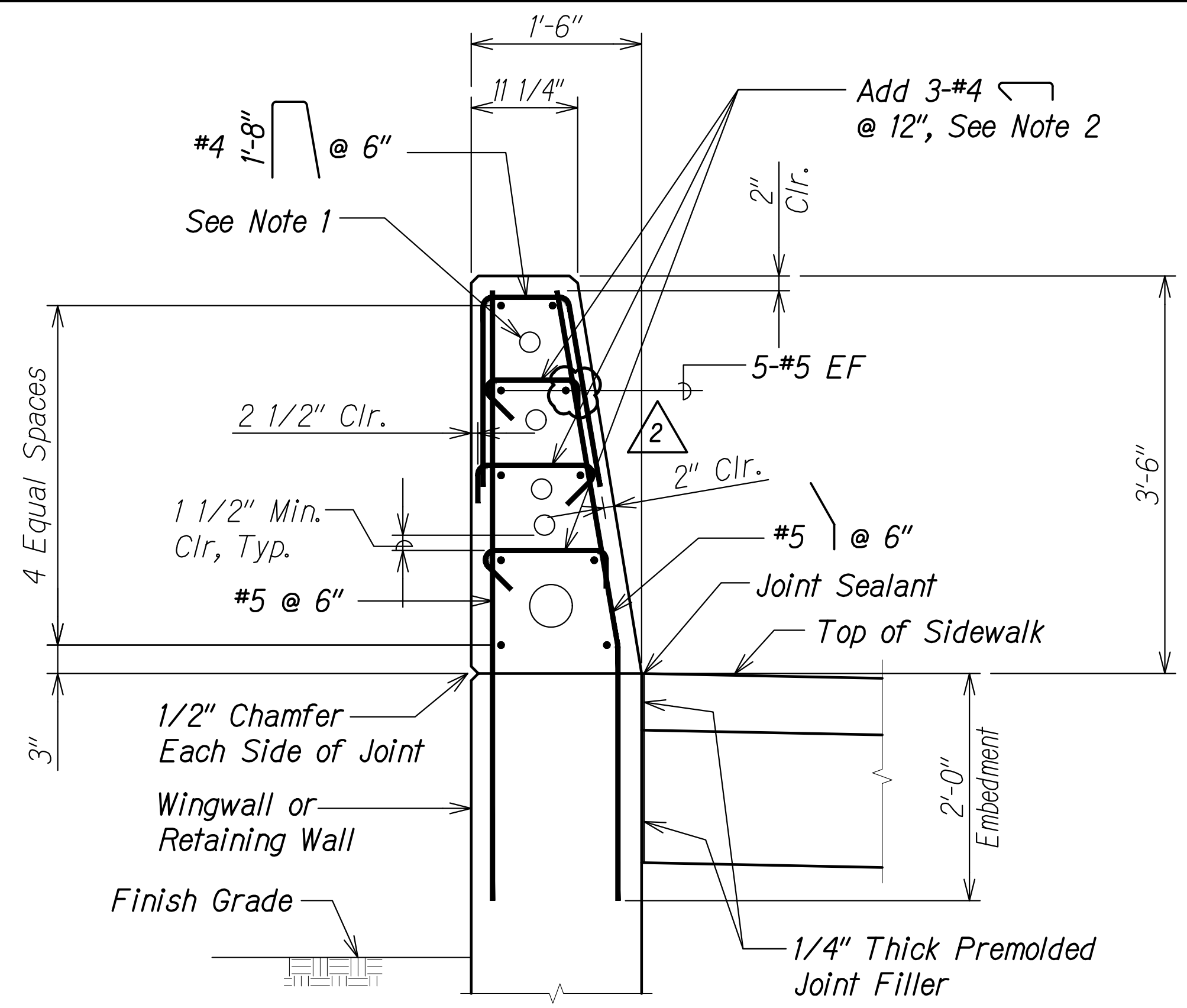
THIS WORK WAS PREPARED BY ME OR UNDER MY SUPERVISION AND CONSTRUCTION OF THIS PROJECT WILL BE UNDER MY OBSERVATION.
Signature: *Rugo S. Miyahara*
April 30, 2024
EXPIRATION DATE OF THE LICENSE

06/08/22	2	Revised Elevation
DATE	REVISION	
STATE OF HAWAII DEPARTMENT OF TRANSPORTATION HIGHWAYS DIVISION		
Honouliuli Stream Bridge Load Test Shaft		
FARRINGTON HIGHWAY WIDENING Kapolei Golf Course Road to Fort Weaver Road Project No. 7101A-01-20		
Scale: As Shown	Date: Apr. 2022	
SHEET No. SA9.3 OF 3 SHEETS		

FED. ROAD DIST. NO.	STATE	PROJ. NO.	FISCAL YEAR	SHEET NO.	TOTAL SHEETS
HAWAII	HAW.	7101A-01-20	2021	ADD. 399	



BRIDGE RAILING SECTION A
 Scale: 1" = 1'-0" SA10.1 SA10.1



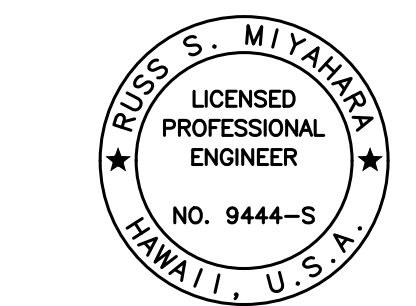
END POST / RAILING SECTION B
 Scale: 1" = 1'-0" SA10.1 SA10.1

Notes:

- (1) 4" dia. conduit and (4) 2" dia. conduits in downstream railing shown. (3) 2" dia. conduit in upstream railing not shown.
- 3-#4 @ 12" shall be ASTM A1035 Type CS Grade 100. Extend 3-#4 @ 12" into end post and terminate at location where conduits bend and enter the underlying wingwall.
- Deflection joints shall be placed perpendicular to ϕ bridge

SURVEY PLOTTED BY	DATE
DRAWN BY	
DESIGNED BY	
QUANTITIES BY	
CHECKED BY	
ORIGINAL PLAN	
NOTE BOOK	
No.	

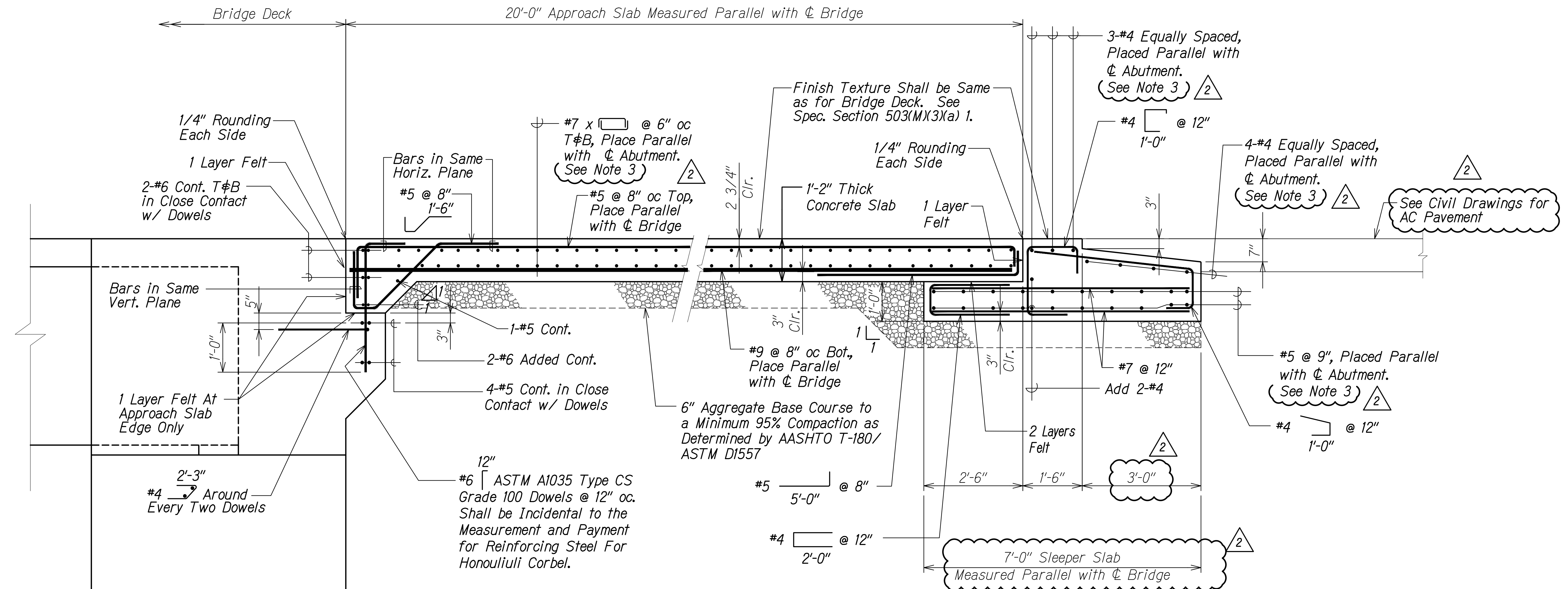
DRAWING NAME: Z:\100_ONGONGONG\20-013-FARR-HWY-KAPOLEI.GE.ID.IT.WPG-RMT(CAD) 06-06-21 ADD1 DELTA2 (HWY-SA10.1-HWY-ENDPOST-ADD1.DWG) PLOT TIME: 06-06-22 3:42 PM



THIS WORK WAS PREPARED BY ME OR UNDER MY SUPERVISION AND CONSTRUCTION OF THIS PROJECT WILL BE UNDER MY OBSERVATION.
 Signature: *Rugo S. Miyakawa*
 April 30, 2024
 EXPIRATION DATE OF THE LICENSE

06/08/22	2	Added Reinforcing
DATE	REVISION	
STATE OF HAWAII DEPARTMENT OF TRANSPORTATION HIGHWAYS DIVISION Honouliuli Stream Bridge Railing Sections FARRINGTON HIGHWAY WIDENING Kapolei Golf Course Road to Fort Weaver Road Project No. 7101A-01-20		
Scale: As Shown	Date: Apr. 2022	
SHEET No. SA10.1 OF 4 SHEETS		

FED. ROAD DIST. NO.	STATE	PROJ. NO.	FISCAL YEAR	SHEET NO.	TOTAL SHEETS
HAWAII	HAW.	7101A-01-20	2021	ADD. 403	



TYPICAL APPROACH SLAB AND SLEEPER SLAB SECTION

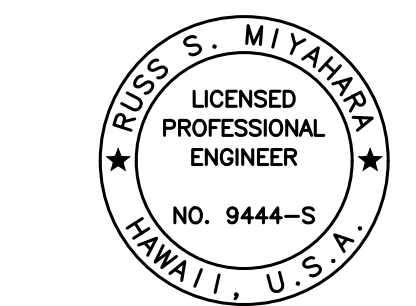
Scale: 3/4" = 1'-0" A
SA11.1 SA11.1

Notes:

- Approach slab and sleeper slab finish texture shall be the same as the bridge deck finish texture.
- 6" Aggregate base course shall be incidental to the measurement and payment for Concrete for Honouliuli Approach Slabs and Sleeper Slabs.
- Extend transverse sleeper slab and approach slab bars 3'-6" beyond edge of construction joint for lap splice. Coat with CorrVerter Rust Primer. Alternatively, provide formsaver coupler.

SURVEY PLOTTED BY	DATE
DRAWN BY	
DESIGNED BY	
QUANTITIES BY	
CHECKED BY	
ORIGINAL PLAN	
NOTE BOOK	
No.	

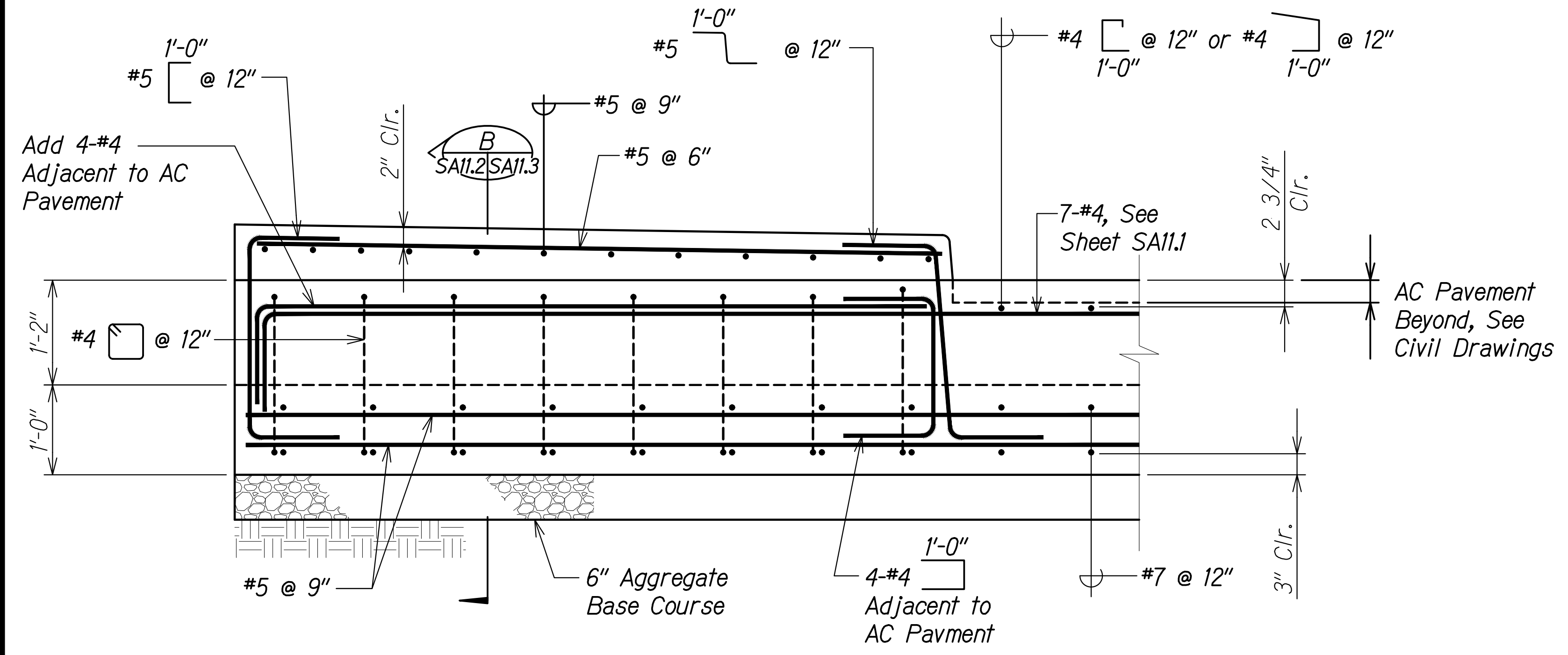
DRAWING NAME: Z:\100 ONGOING\20-013-FARR-HWY-KAPOLEI\GE.ID.IT.WPG-EMT\01.GRD\06-06-21\ADD1-DELTA2\EMT\3-SA11.1-APPROACH-SLAB-ADD.DWG PLOT TIME: 06-06-22, 3:43 PM



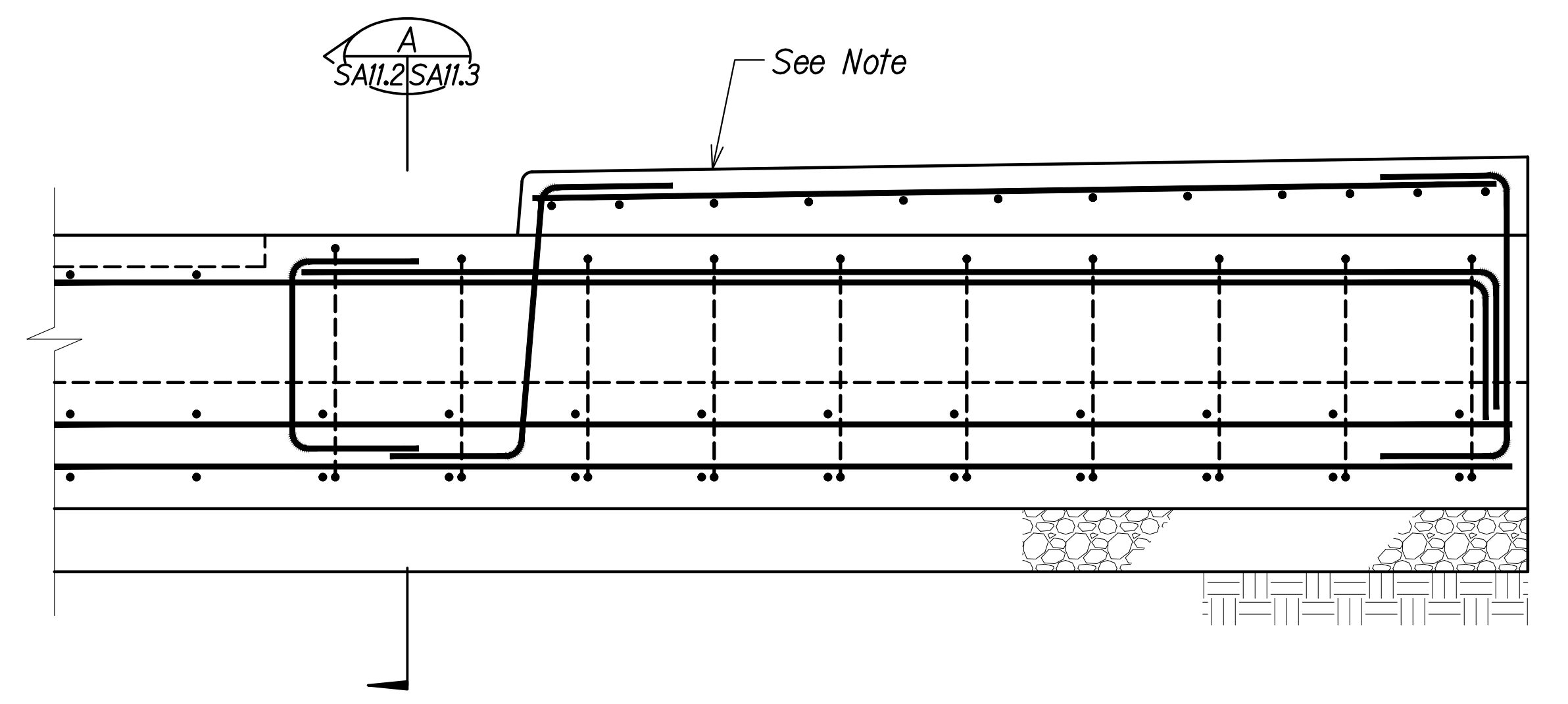
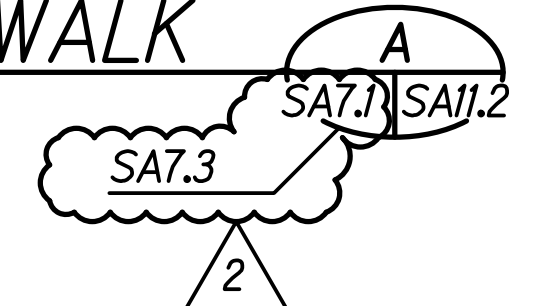
THIS WORK WAS PREPARED BY ME OR UNDER MY SUPERVISION AND CONSTRUCTION OF THIS PROJECT WILL BE UNDER MY OBSERVATION.
 Signature: *Russ S. Miyahara*
 April 30, 2024
 EXPIRATION DATE OF THE LICENSE

06/08/22	2	Revised Dimensions
DATE		REVISION
STATE OF HAWAII DEPARTMENT OF TRANSPORTATION HIGHWAYS DIVISION		
Honouliuli Stream Bridge Approach Slab and Sleeper Slab Section		
FARRINGTON HIGHWAY WIDENING Kapolei Golf Course Road to Fort Weaver Road Project No. 7101A-01-20		
Scale: As Shown		Date: Apr. 2022
SHEET No. SA11.1 OF 4 SHEETS		

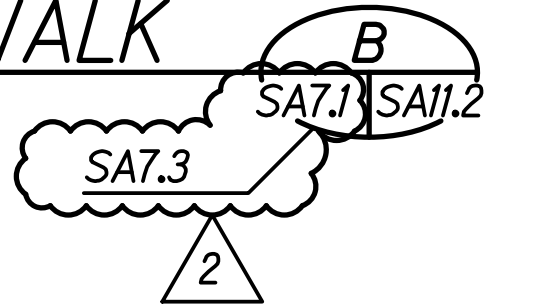
FED. ROAD DIST. NO.	STATE	PROJ. NO.	FISCAL YEAR	SHEET NO.	TOTAL SHEETS
HAWAII	HAW.	7101A-01-20	2021	ADD. 404	



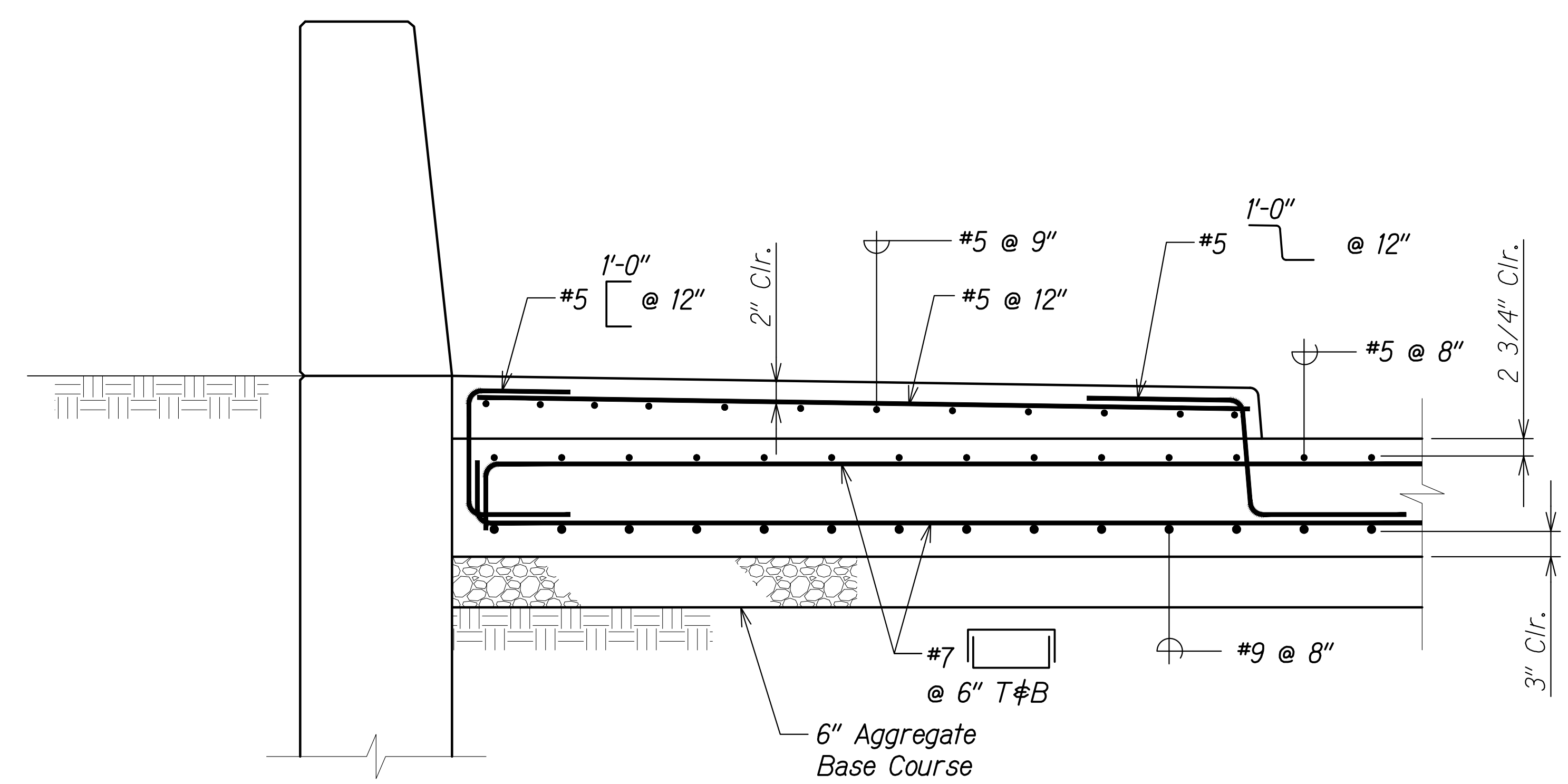
SLEEPER SECTION AT SIDEWALK
Scale: 1" = 1'-0"



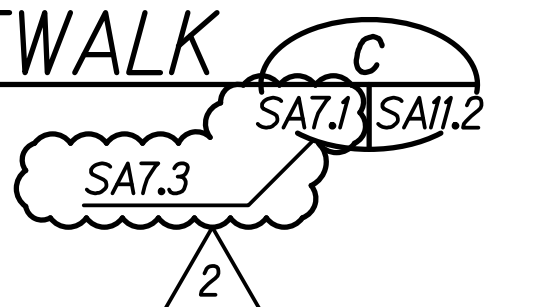
SLEEPER SECTION AT SIDEWALK
Scale: 1" = 1'-0"



Note:
Reinforcing in section B is similar to section A. Section B is provided to show the condition of the sleeper slab at the gutter.



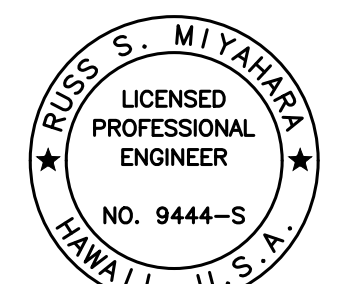
APPROACH SECTION AT SIDEWALK
Scale: 1" = 1'-0"



SURVEY PLOTTED BY	DATE
DRAWN BY	
DESIGNED BY	
QUANTITIES BY	
CHECKED BY	
ORIGINAL PLAN	
NOTE BOOK	
No.	

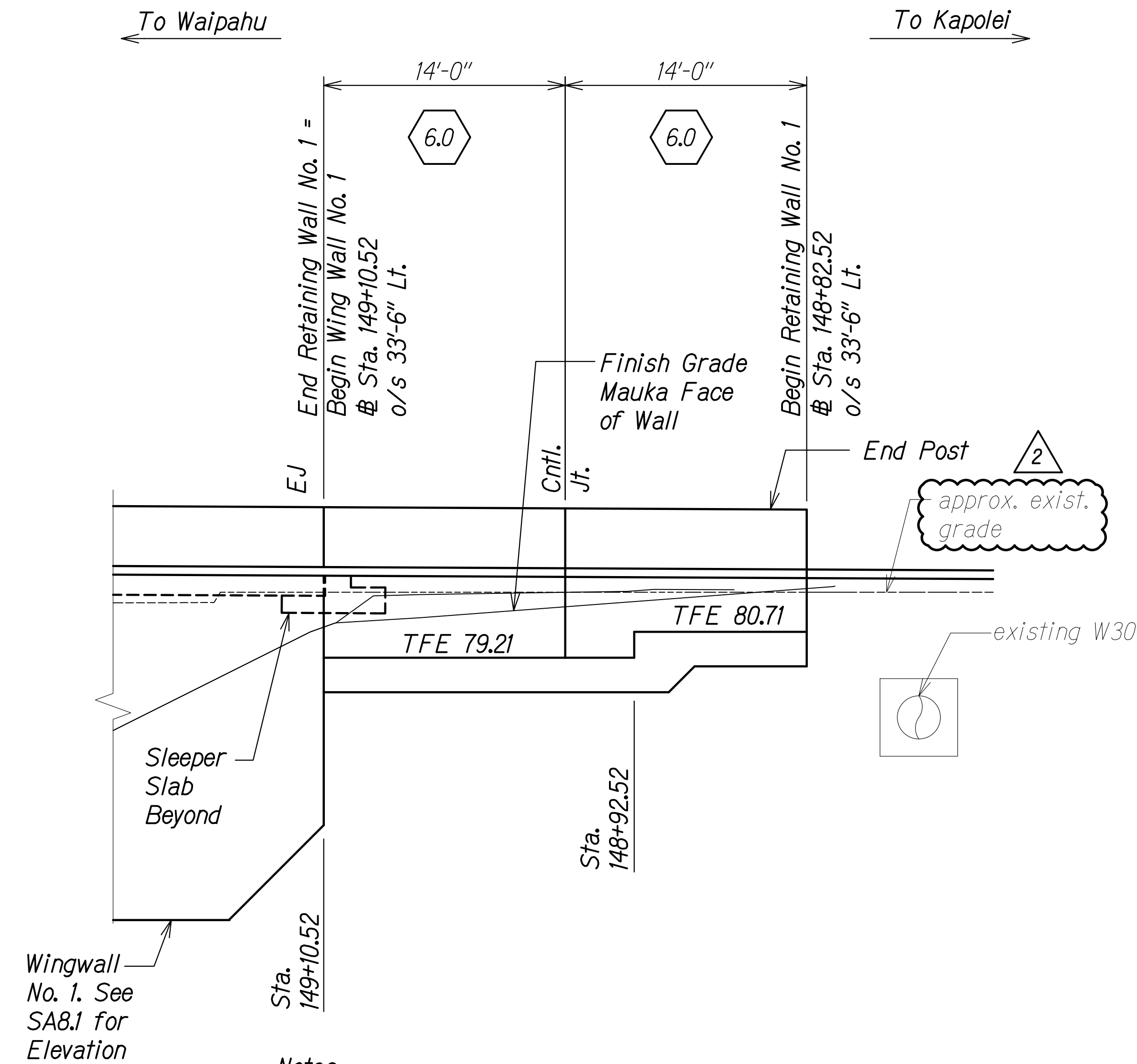
DRAWING NAME: Z:\100 ONGOING\20-013-FARR-HWY-KAPOLEI-GC-10-ET-WP2-RMT\01-GAD\06-06-21-ADD1-DELTA2\HWY3-SA1102-APPROACH SECT-ADD.DWG PLOT TIME: 06-06-22, 3:44 PM

THIS WORK WAS PREPARED BY ME OR UNDER MY SUPERVISION AND CONSTRUCTION OF THIS PROJECT WILL BE UNDER MY OBSERVATION.
Russ S. Miyahara
SIGNATURE
April 30, 2024
EXPIRATION DATE OF THE LICENSE



06/08/22	2	Revised Callouts
DATE	REVISION	
STATE OF HAWAII DEPARTMENT OF TRANSPORTATION HIGHWAYS DIVISION		
Honouliuli Stream Bridge Approach Slab and Sleeper Slab Sections		
FARRINGTON HIGHWAY WIDENING Kapolei Golf Course Road to Fort Weaver Road Project No. 7101A-01-20		
Scale: As Shown	Date: Apr. 2022	
SHEET No. SA112 OF 4 SHEETS		

FED. ROAD DIST. NO.	STATE	PROJ. NO.	FISCAL YEAR	SHEET NO.	TOTAL SHEETS
HAWAII	HAW.	7101A-01-20	2021	ADD. 407	

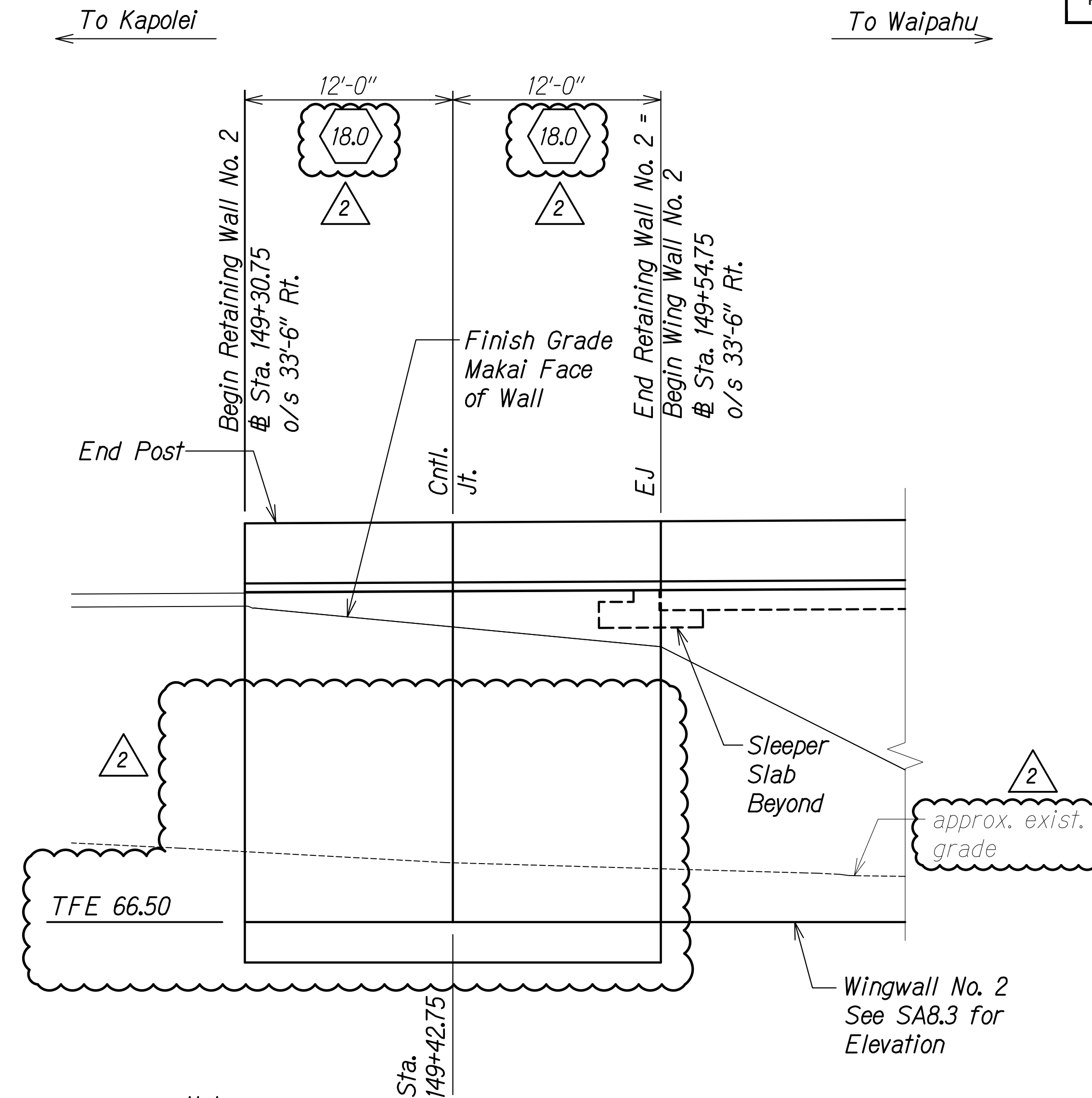
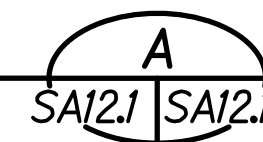


Notes:

1. Wall profile is shown looking (makai) toward roadway.
2. Stationing references Farrington Highway Baseline.
3. Station offsets are measured to mauka (outside) face of retaining wall.

RETAINING WALL NO. 1 PROFILE

Scale: 3/16" = 1'-0"

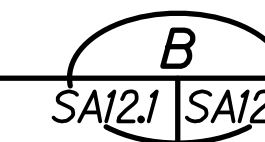


Notes:

1. Wall profiles are shown looking (mauka) toward roadway.
2. Stationing references Farrington Highway Baseline.
3. Station offsets are measured to makai (outside) face of retaining wall.

RETAINING WALL NO. 2 PROFILE

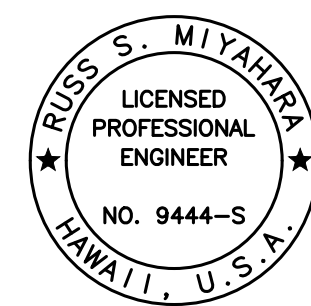
Scale: 3/16" = 1'-0"



SURVEY PLOTTED BY	DATE
DRAWN BY	
DESIGNED BY	
QUANTITIES BY	
CHECKED BY	

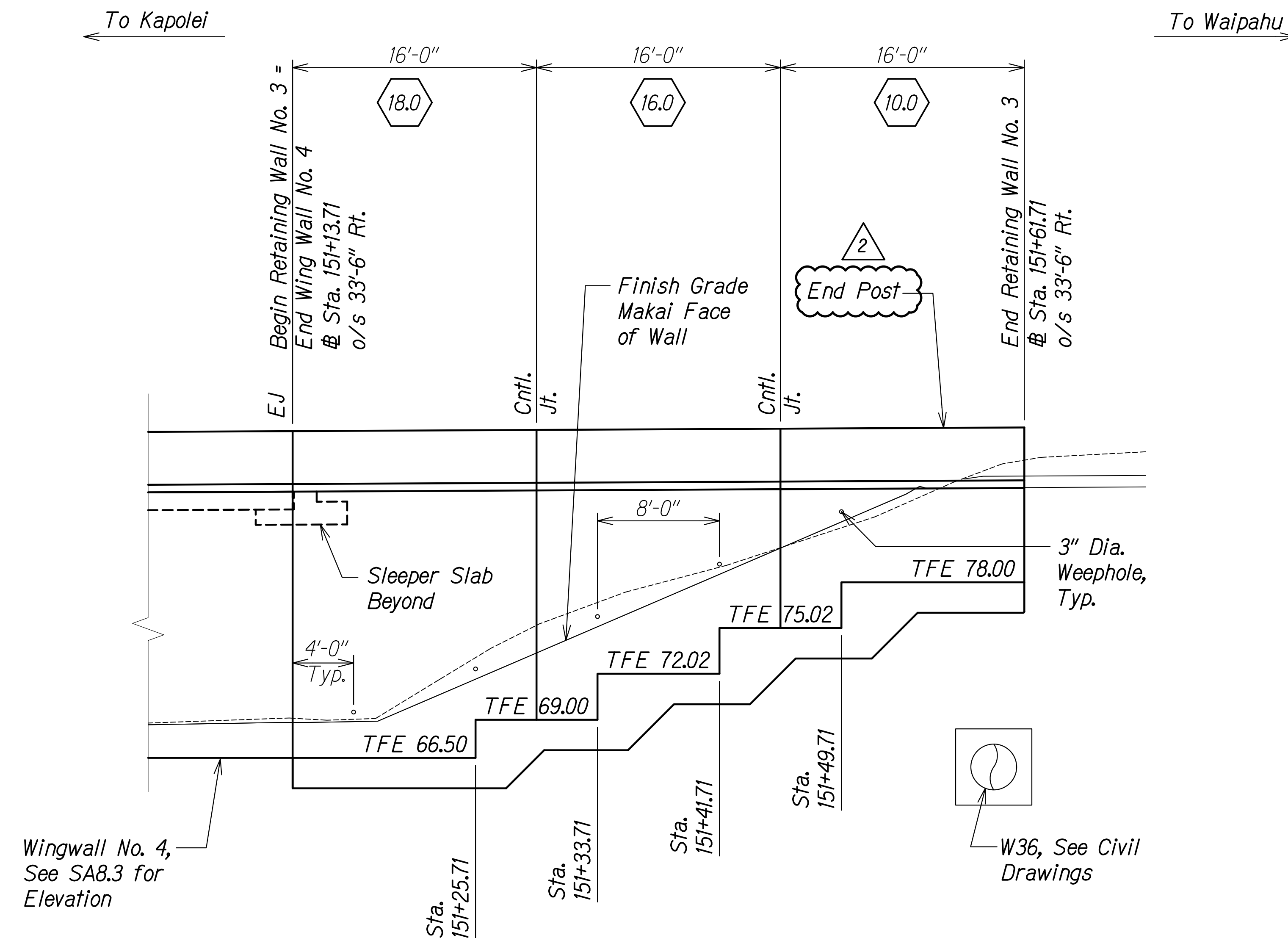
DRAWING NAME: Z:\100 ONGOING\20-013-FARR-HWY-KAPOLEI\GC_ID_ET_WIP-EMTC\01-GAD\06-06-21-ADD1-DELTA2\THW3-SA1201-RET WALL-ADD1.DWG PLOT TIME: 06-06-22, 3:45 PM

THIS WORK WAS PREPARED BY ME OR UNDER MY SUPERVISION AND CONSTRUCTION OF THIS PROJECT WILL BE UNDER MY OBSERVATION.
 Signature: *Russ S. Miyahara*
 April 30, 2024
 EXPIRATION DATE OF THE LICENSE



06/08/22	2	Lower Footing
DATE	REVISION	
STATE OF HAWAII DEPARTMENT OF TRANSPORTATION HIGHWAYS DIVISION Honouliuli Stream Bridge Retaining Wall Profiles FARRINGTON HIGHWAY WIDENING Kapolei Golf Course Road to Fort Weaver Road Project No. 7101A-01-20		
Scale: As Shown	Date: Apr. 2022	
SHEET No. SA12.1 OF 5 SHEETS		

FED. ROAD DIST. NO.	STATE	PROJ. NO.	FISCAL YEAR	SHEET NO.	TOTAL SHEETS
HAWAII	HAW.	7101A-01-20	2021	ADD. 408	



Wingwall No. 4,
See SA8.3 for
Elevation

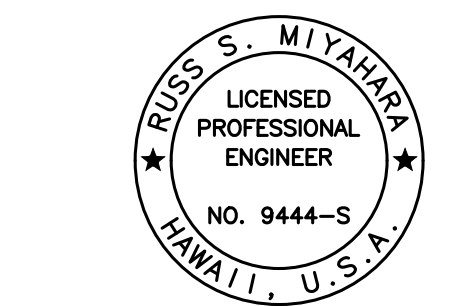
Notes:

1. Wall profiles are shown looking (mauka) toward roadway.
2. Stationing references Farrington Highway Baseline.
3. Station offsets are measured to makai (outside) face of retaining wall.

RETAINING WALL NO. 3
PROFILE
Scale: 3/16" = 1'-0"
SAI2.2 | SAI2.2

SURVEY PLOTTED BY	DATE
DRAWN BY	
DESIGNED BY	
QUANTITIES BY	
CHECKED BY	
ORIGINAL PLAN	
NOTE BOOK	
No.	

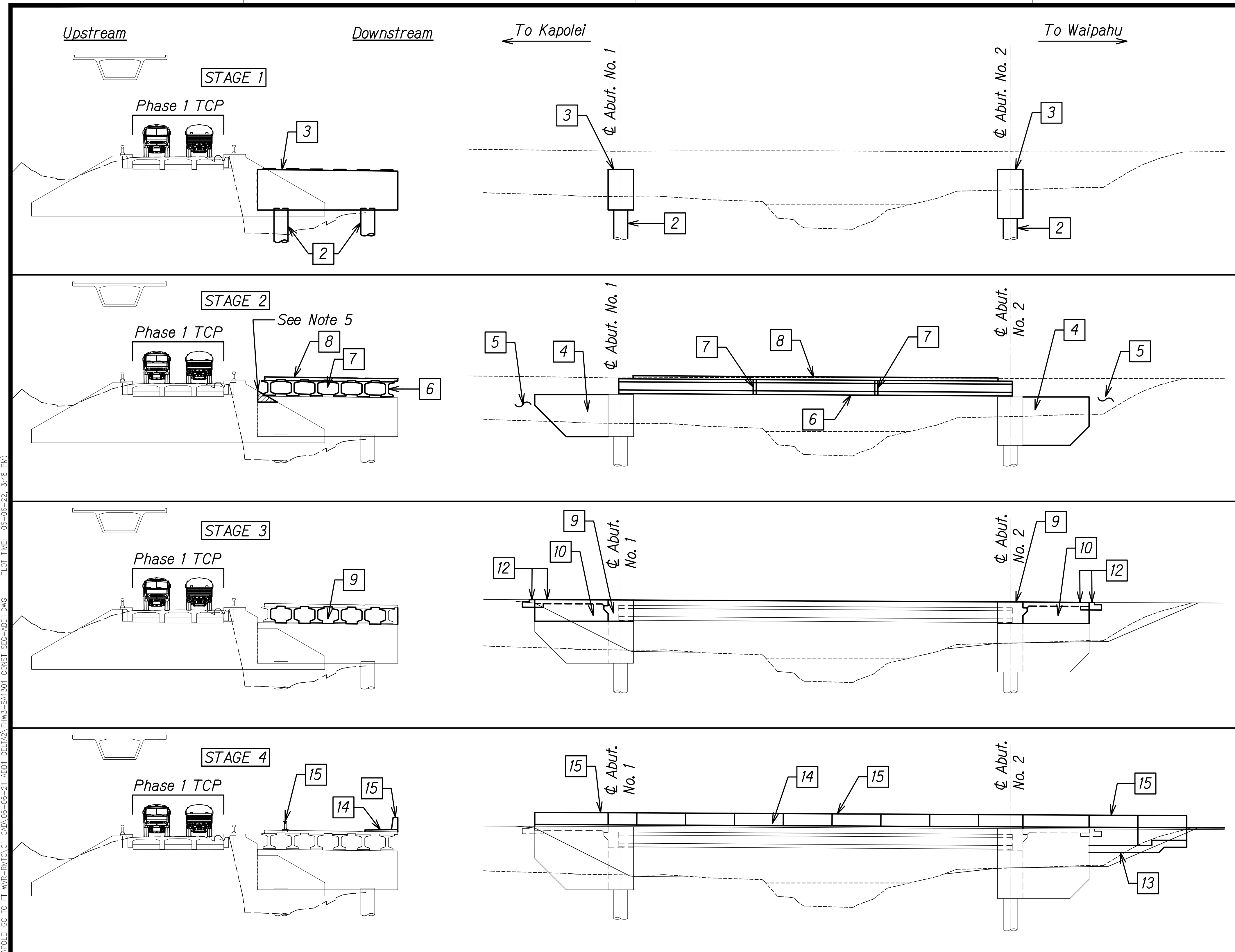
DRAWING NAME: Z:\100 ONGOING\20-013-FARR-HWY-KAPOLEI\GC_ID_ET_WIP-EMTC\01_GAD\06-06-21_ADD1_DELTAS\THW3-SA1201_RET_WALL-ADD1.DWG PLOT TIME: 06-06-22 3:45 PM



THIS WORK WAS PREPARED BY ME OR UNDER MY SUPERVISION AND CONSTRUCTION OF THIS PROJECT WILL BE UNDER MY OBSERVATION.
 Signature: *Rugo S. Miyahara*
 April 30, 2024
 EXPIRATION DATE OF THE LICENSE

06/08/22	2	Revised Title
DATE	REVISION	
STATE OF HAWAII DEPARTMENT OF TRANSPORTATION HIGHWAYS DIVISION Honouliuli Stream Bridge Retaining Wall Profiles FARRINGTON HIGHWAY WIDENING Kapolei Golf Course Road to Fort Weaver Road Project No. 7101A-01-20		
Scale: As Shown	Date: Apr. 2022	
SHEET No. SAI2.2 OF 5 SHEETS		

FED. ROAD DIST. NO.	STATE	PROJ. NO.	FISCAL YEAR	SHEET NO.	TOTAL SHEETS
HAWAII	HAW.	7101A-01-20	2021	ADD. 412	



CONSTRUCTION STAGE 1 - MAKAI BRIDGE

- 1 Install trial and load test shaft.
- 2 Excavate to bottom of drilled shaft cap beam and install production drilled shafts ②, ③, ⑤, and ⑥.
- 3 Construct drilled shaft cap beams including seats, See Note 3.

CONSTRUCTION STAGE 2 - MAKAI BRIDGE

- 4 Construct wingwalls 2 and 4 and keywalls to top of drilled shaft cap beam, see Note 4.
- 5 Backfill behind abutment to 1'-0" below top of drilled shaft cap beam. Do not exceed 2-ft lifts for CLSM placement.
- 6 Erect girders G-5 through G-10, see Note 5.
- 7 Construct intermediate diaphragms.
- 8 Pour concrete deck, see Note 6.

CONSTRUCTION STAGE 3 - MAKAI BRIDGE

- 9 Pour end beams and corbel a minimum of 30 days after step 8. Concrete pour shall occur between 1:00 am and 4:00 am.
- 10 Construct remainder of wingwalls, see Note 7.
- 11 Backfill behind abutment to bottom of approach slab and sleeper slab.
- 12 Construct sleeper slab and approach slab, see Note 8.

CONSTRUCTION STAGE 4 - MAKAI BRIDGE

- 13 Construct retaining walls, see Note 9.
- 14 Pour sidewalk on downstream side of bridge, see Note 10.
- 15 Construct bridge railings, end posts, and temporary construction barriers.
- 16 Blanket grind and mechanically groove bridge deck, approach slabs, and sleeper slabs, see Note 11.

SEE PHASE 1 TCP - SHEET TC-13

ORIGINAL PLAN	DATE
NO. _____	_____
SURVEY PLOTTED BY _____	DATE _____
DRAWN BY _____	DESIGNED BY _____
NOTE BOOK	QUANTITIES BY _____
NO. _____	CHECKED BY _____

DRAWING NAME: Z:\A00_000000\20-013-FARR-HWY-KAPOLEI\GC_ID_ET_WPR-RMTC\01_GAD\06-06-21_ADD1_DELTAC2_EHW3-SA1301_CONSTR_SE0-ADD1.DWG PLOT TIME: 06-06-22 3:48 PM

06/08/22	2	Revised Sheet Reference
DATE		REVISION

THIS WORK WAS PREPARED BY ME OR UNDER MY SUPERVISION AND CONSTRUCTION OF THIS PROJECT WILL BE UNDER MY OBSERVATION.

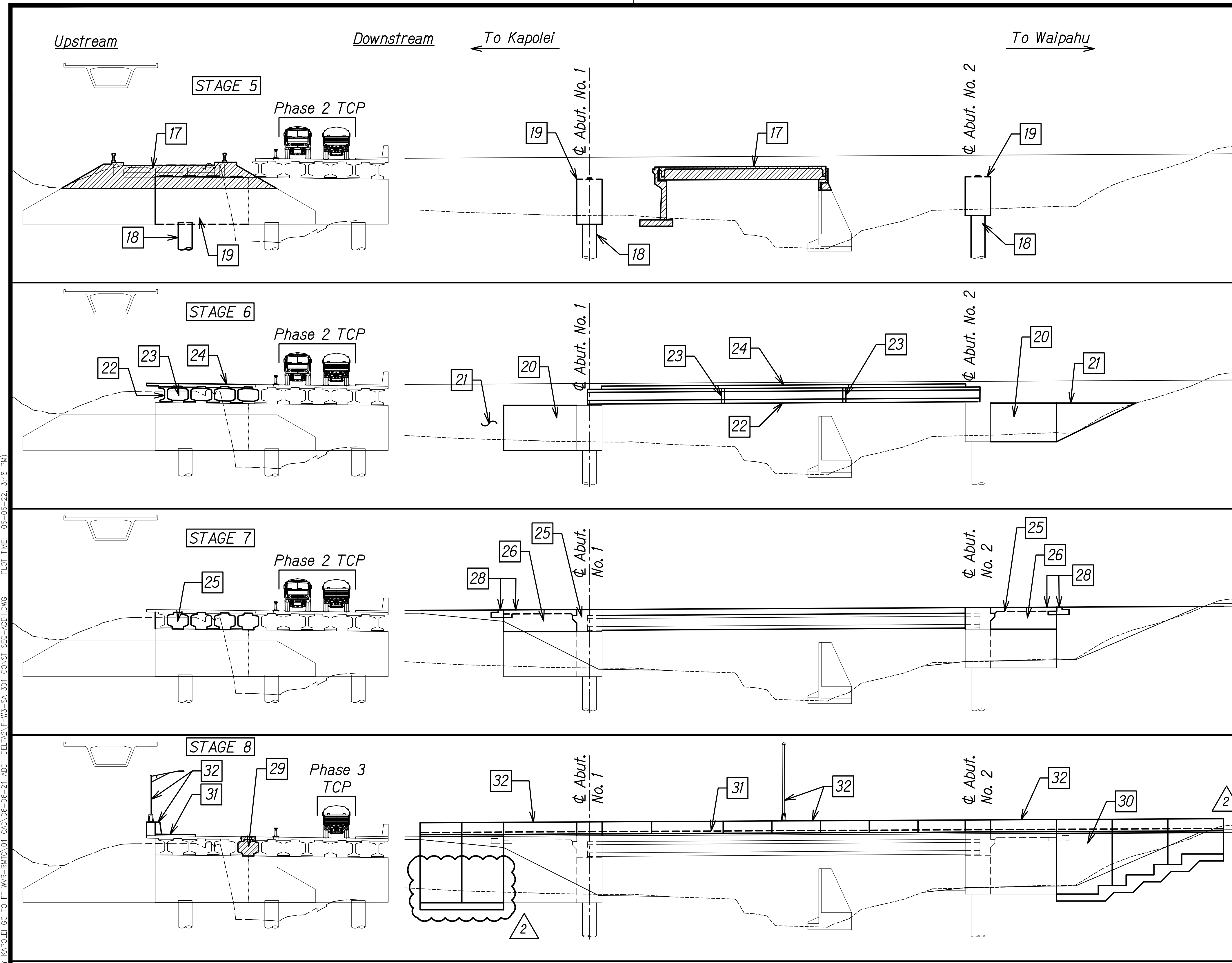
 Signature: *Russ S. Miyahara*

 April 30, 2024

 EXPIRATION DATE OF THE LICENSE

STATE OF HAWAII
 DEPARTMENT OF TRANSPORTATION
 HIGHWAYS DIVISION
Honouliuli Stream Bridge
Construction Sequence
 FARRINGTON HIGHWAY WIDENING
 Kapolei Golf Course Road to Fort Weaver Road
 Project No. 7101A-01-20
 Scale: As Shown Date: Apr. 2022
SHEET No. SA131 OF 3 SHEETS

FED. ROAD DIST. NO.	STATE	PROJ. NO.	FISCAL YEAR	SHEET NO.	TOTAL SHEETS
HAWAII	HAW.	7101A-01-20	2021	ADD. 413	



CONSTRUCTION STAGE 5 - MAUKA BRIDGE

- 17 Demolish existing bridge superstructure and substructure.
- 18 Excavate to bottom of drilled shaft cap beam and install production drilled shafts (1) and (4).
- 19 Construct drilled shaft cap beams including seats, see Note 12.

CONSTRUCTION STAGE 6 - MAUKA BRIDGE

- 20 Construct wingwalls 1 and 3 and keywalls to top of drilled shaft cap beam, see Note 13.
- 21 Backfill behind abutment to 1'-0" below top of drilled shaft cap. Do not exceed 2-ft lifts for CLSM placement.
- 22 Erect girders G-1 through G-4, see Note 14.
- 23 Construct intermediate diaphragms.
- 24 Pour concrete deck, see Note 15.

CONSTRUCTION STAGE 7 - MAUKA BRIDGE

- 25 Pour end beams and corbel a minimum of 30 days after step 24. Concrete pour shall occur between 1:00 am and 4:00 am.
- 26 Construct remainder of wingwalls, see Note 16.
- 27 Backfill behind abutment to bottom of approach slab and sleeper slab.
- 28 Construct sleeper slab and approach slab, see Note 17.

CONSTRUCTION STAGE 8 - MAUKA BRIDGE

- 29 Place closure pour at end beams, corbel, deck, and diaphragm locations between Mauka and Makai bridge. Concrete pour shall occur between 1:00 am and 4:00 am.
- 30 Construct retaining walls, see Note 18.
- 31 Pour sidewalk on upstream side of bridge, see Note 19.
- 32 Construct bridge railings, end posts, and light standards.
- 33 Blanket grind and mechanically groove bridge deck, approach slabs, and sleeper slabs, see Note 20.

SEE PHASE 2 TCP - SHEET TC-19

SEE PH. 2 TCP SEE PH. 3 TCP SHEET TC-19

SURVEY PLOTTED BY	DATE
DRAWN BY	
DESIGNED BY	
QUANTITIES BY	
CHECKED BY	
ORIGINAL PLAN	
NOTE BOOK	
No.	

DRAWING NAME: 2A100 UNDOINGS-20-013-FARR-HWY-KAPOLEI-GC-10-ET-WIP-EMTCV01-GAD-06-06-21-ADD1-DELTA2-ETHW3-SAL301-CONST-SEO-ADD1-DWG PLOT TIME: 06-06-22 3:48 PM

06/08/22	2	Revised Details
DATE		REVISION

THIS WORK WAS PREPARED BY ME OR UNDER MY SUPERVISION AND CONSTRUCTION OF THIS PROJECT WILL BE UNDER MY OBSERVATION.

Paul S. Miyahara
 SIGNATURE
 EXPIRATION DATE OF THE LICENSE: April 30, 2024

STATE OF HAWAII
 DEPARTMENT OF TRANSPORTATION
 HIGHWAYS DIVISION

**Honouliuli Stream Bridge
 Construction Sequence**

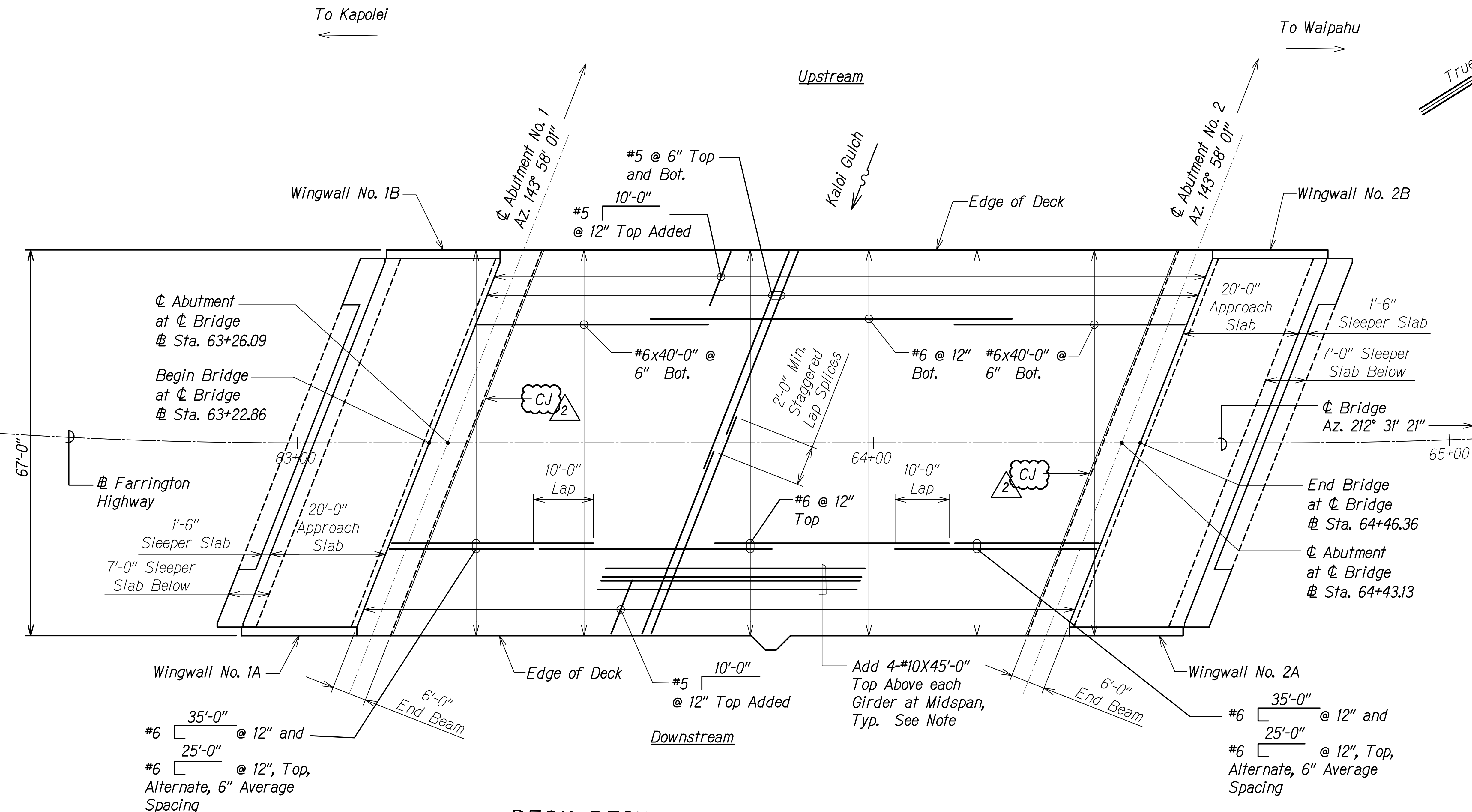
FARRINGTON HIGHWAY WIDENING
 Kapolei Golf Course Road to Fort Weaver Road
 Project No. 7101A-01-20

Scale: As Shown Date: Apr. 2022

SHEET No. SA132 OF 3 SHEETS

FED. ROAD DIST. NO.	STATE	PROJ. NO.	FISCAL YEAR	SHEET NO.	TOTAL SHEETS
HAWAII	HAW.	7101A-01-20	2021	ADD. 430	

DRAWING NAME: Z:\ADD\CONSTR\20-013-FARR-HW-KAPOLEI\GC\10-ET-WRK-EMTC\01-CAD\06-06-21-ADD1-DELTAS\EMTS-SB401-KAL-DECK-REINF-PLAN-ADD1.DWG PLOT TIME: 06-06-22, 4:42 PM



DECK REINFORCING PLAN
Scale: 1" = 10'-0"
A
SB4.1 SB4.1

Notes:
For location of added 4-#10x45'-0" top above each girder, see sheets SB4.2 to SB4.3.

SURVEY PLOTTED BY	DATE
DRAWN BY	
DESIGNED BY	
QUANTITIES BY	
CHECKED BY	
ORIGINAL PLAN No.	
NOTE BOOK No.	

RUS S. MIYAHARA
LICENSED PROFESSIONAL ENGINEER
NO. 9444-S
HAWAII, U.S.A.

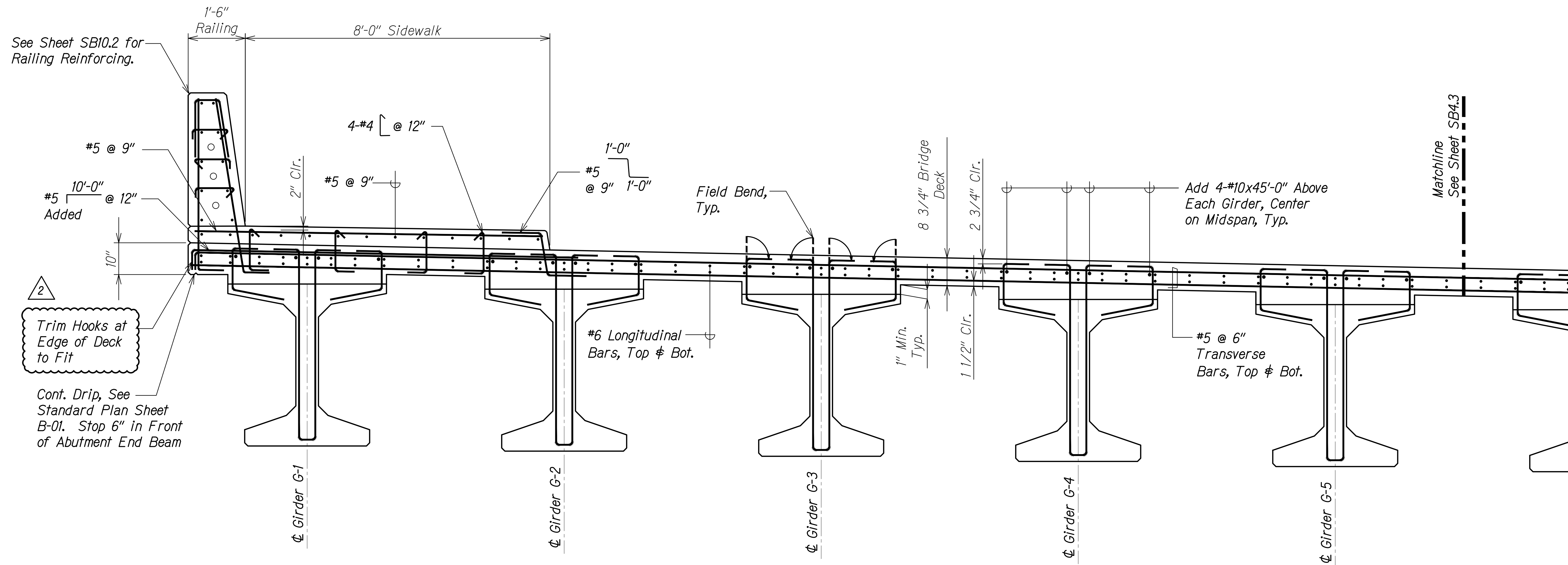
THIS WORK WAS PREPARED BY ME OR UNDER MY SUPERVISION AND CONSTRUCTION OF THIS PROJECT WILL BE UNDER MY OBSERVATION.
Signature: *Rus S. Miyahara*
April 30, 2024
EXPIRATION DATE OF THE LICENSE

06/08/22	2	Show Construction Joint
DATE	REVISION	
STATE OF HAWAII DEPARTMENT OF TRANSPORTATION HIGHWAYS DIVISION		
Kaloi Gulch Bridge Deck Reinforcing Plan		
FARRINGTON HIGHWAY WIDENING Kapolei Golf Course Road to Fort Weaver Road Project No. 7101A-01-20		
Scale: As Shown	Date: Apr. 2022	
SHEET No. SB4.1 OF 4 SHEETS		

FED. ROAD DIST. NO.	STATE	PROJ. NO.	FISCAL YEAR	SHEET NO.	TOTAL SHEETS
HAWAII	HAW.	7101A-01-20	2021	ADD. 431	

← Upstream

Downstream →



See Sheet SB10.2 for Railing Reinforcing.

#5 @ 9"
#5 10'-0" @ 12"
Added

2
Trim Hooks at Edge of Deck to Fit

Cont. Drip, See Standard Plan Sheet B-01. Stop 6" in Front of Abutment End Beam

4-#4 @ 12"

#5 @ 9"

1'-0"
#5 @ 9" 1'-0"

Field Bend, Typ.

8 3/4" Bridge Deck

2 3/4" Clr.
1 1/2" Clr.

Add 4-#10x45'-0" Above Each Girder, Center on Midspan, Typ.

#6 Longitudinal Bars, Top & Bot.

1" Min. Typ.

#5 @ 6" Transverse Bars, Top & Bot.

Matchline See Sheet SB4.3

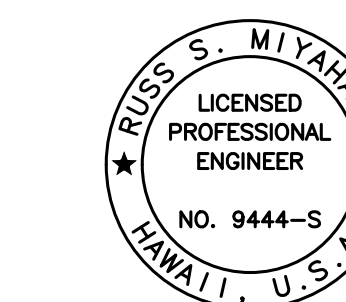
SECTION AT MIDSPAN
(NORMAL TO Φ BRIDGE)

Scale: 3/4" = 1'-0"

A
SB4.2 | SB4.2

SURVEY PLOTTED BY	DATE
DRAWN BY	
DESIGNED BY	
QUANTITIES BY	
CHECKED BY	
ORIGINAL PLAN	No.
NOTE BOOK	

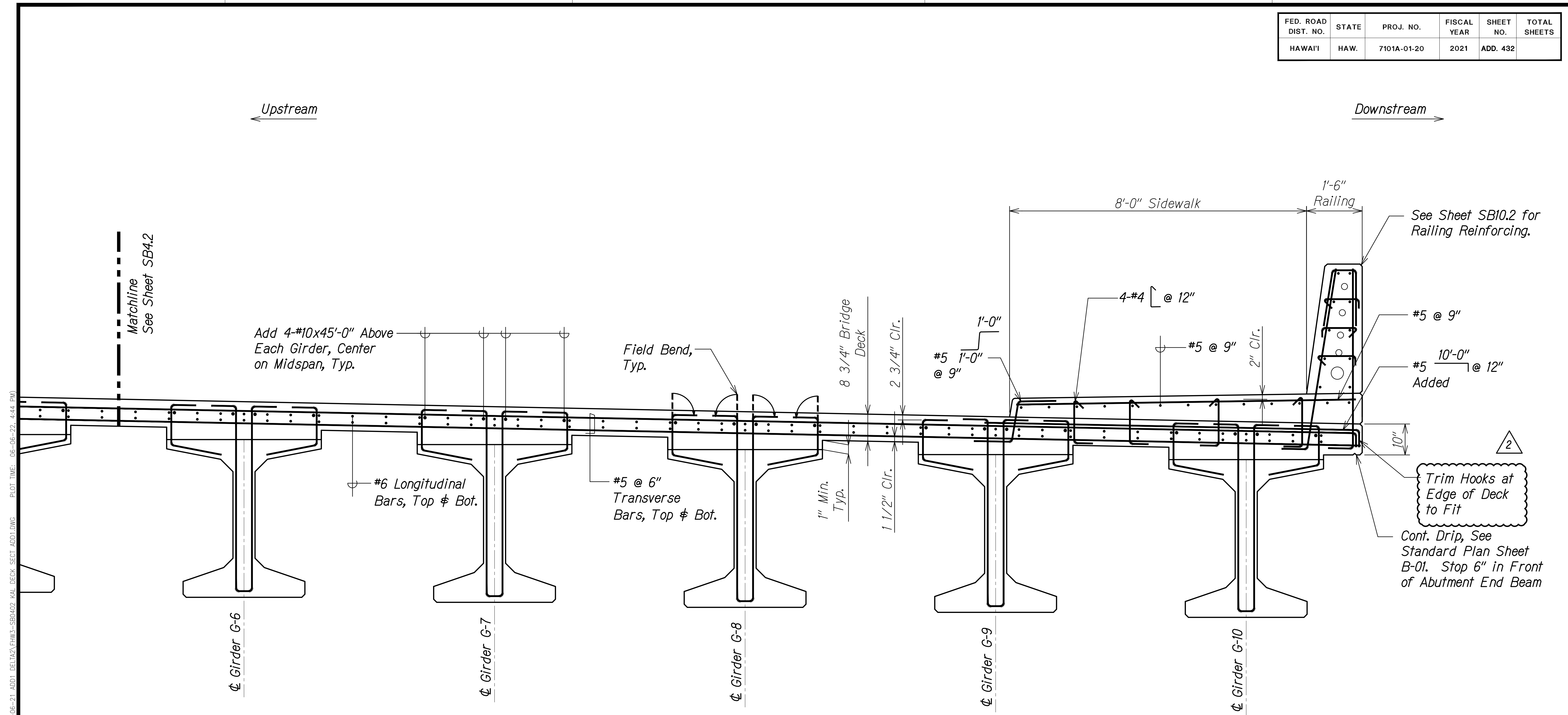
DRAWING NAME: Z:\100 ONGOING\20-013-FARR-HWY-KAPOLEI\GE.ID.IT.WPG-EMTC\01-CAD\06-06-21-ADD1-DELTA2\HWY3-SB402-KAL-DECK-SECT-ADD1.DWG PLOT TIME: 06-06-22, 4:44 PM



THIS WORK WAS PREPARED BY ME OR UNDER MY SUPERVISION AND CONSTRUCTION OF THIS PROJECT WILL BE UNDER MY OBSERVATION.
 Russ S. Miyahara
 SIGNATURE
 April 30, 2024
 EXPIRATION DATE OF THE LICENSE

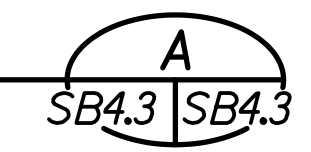
06/08/22	2	Revised Deck Reinforcing
DATE		REVISION
STATE OF HAWAII DEPARTMENT OF TRANSPORTATION HIGHWAYS DIVISION Kaloi Gulch Bridge Partial Deck Section FARRINGTON HIGHWAY WIDENING Kapolei Golf Course Road to Fort Weaver Road Project No. 7101A-01-20		
Scale: As Shown		Date: Apr. 2022
SHEET No. SB4.2 OF 4 SHEETS		

FED. ROAD DIST. NO.	STATE	PROJ. NO.	FISCAL YEAR	SHEET NO.	TOTAL SHEETS
HAWAII	HAW.	7101A-01-20	2021	ADD. 432	



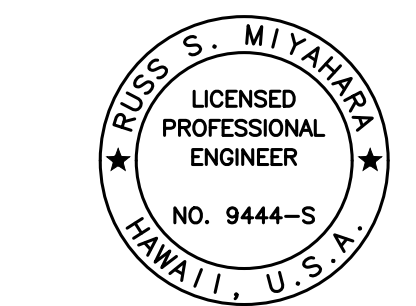
SECTION AT MIDSPAN
(NORMAL TO ϕ BRIDGE)

Scale: 3/4" = 1'-0"



ORIGINAL PLAN	DATE
DRAWN BY	
DESIGNED BY	
QUANTITIES BY	
CHECKED BY	
No.	

DRAWING NAME: Z:\100 ONGOING\20-013-FARR-HWY-KAPOLEI GC ID: ET-WR-EMTC\01-GAD\06-06-21-ADD1-DELTA2\EMTC-SB402-KAL-DECK-SECT-ADD1.DWG PLOT TIME: 06-06-22 4:44 PM



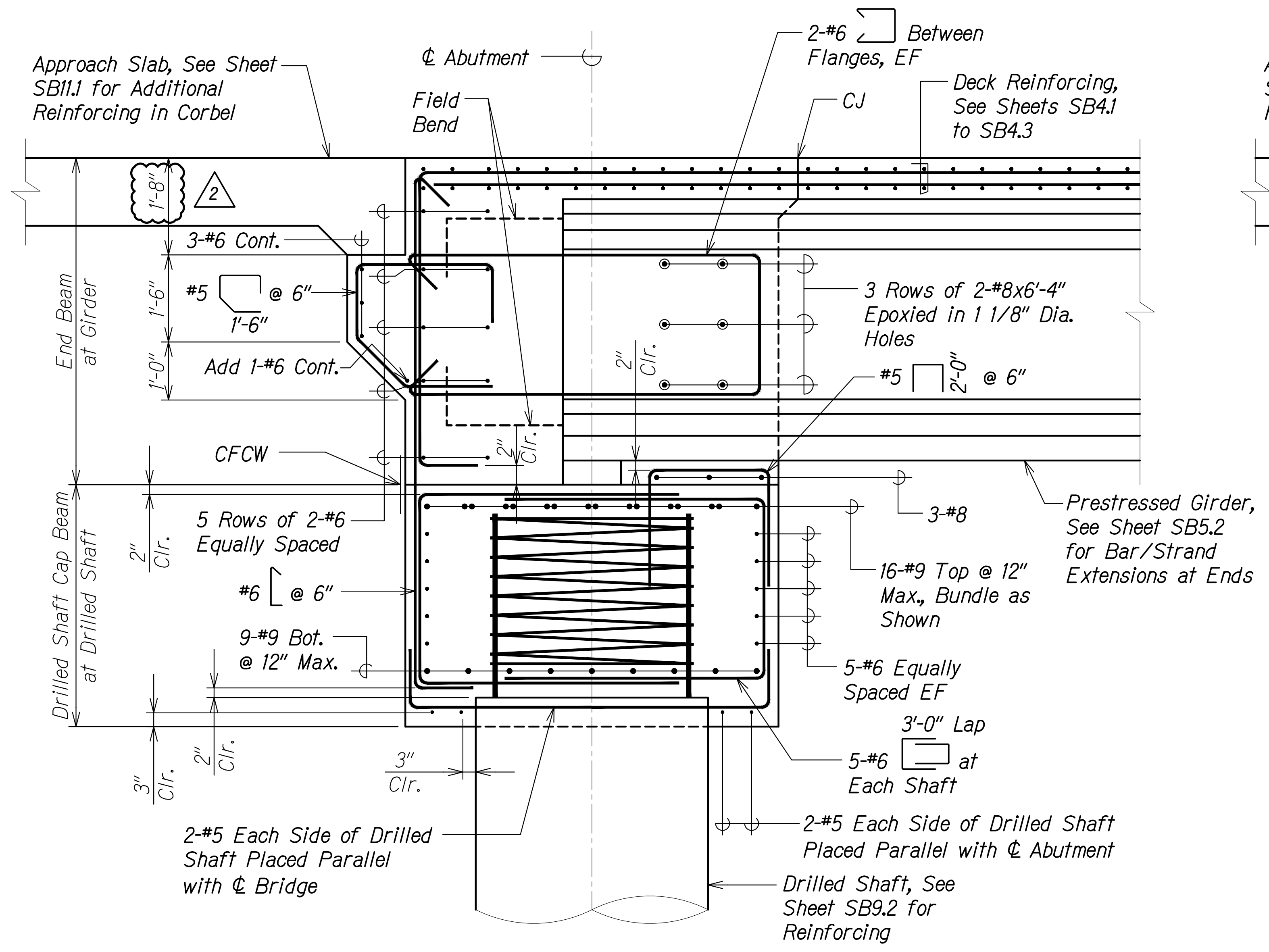
THIS WORK WAS PREPARED BY ME OR UNDER MY SUPERVISION AND CONSTRUCTION OF THIS PROJECT WILL BE UNDER MY OBSERVATION.

Russ S. Miyahara
SIGNATURE April 30, 2024
EXPIRATION DATE OF THE LICENSE

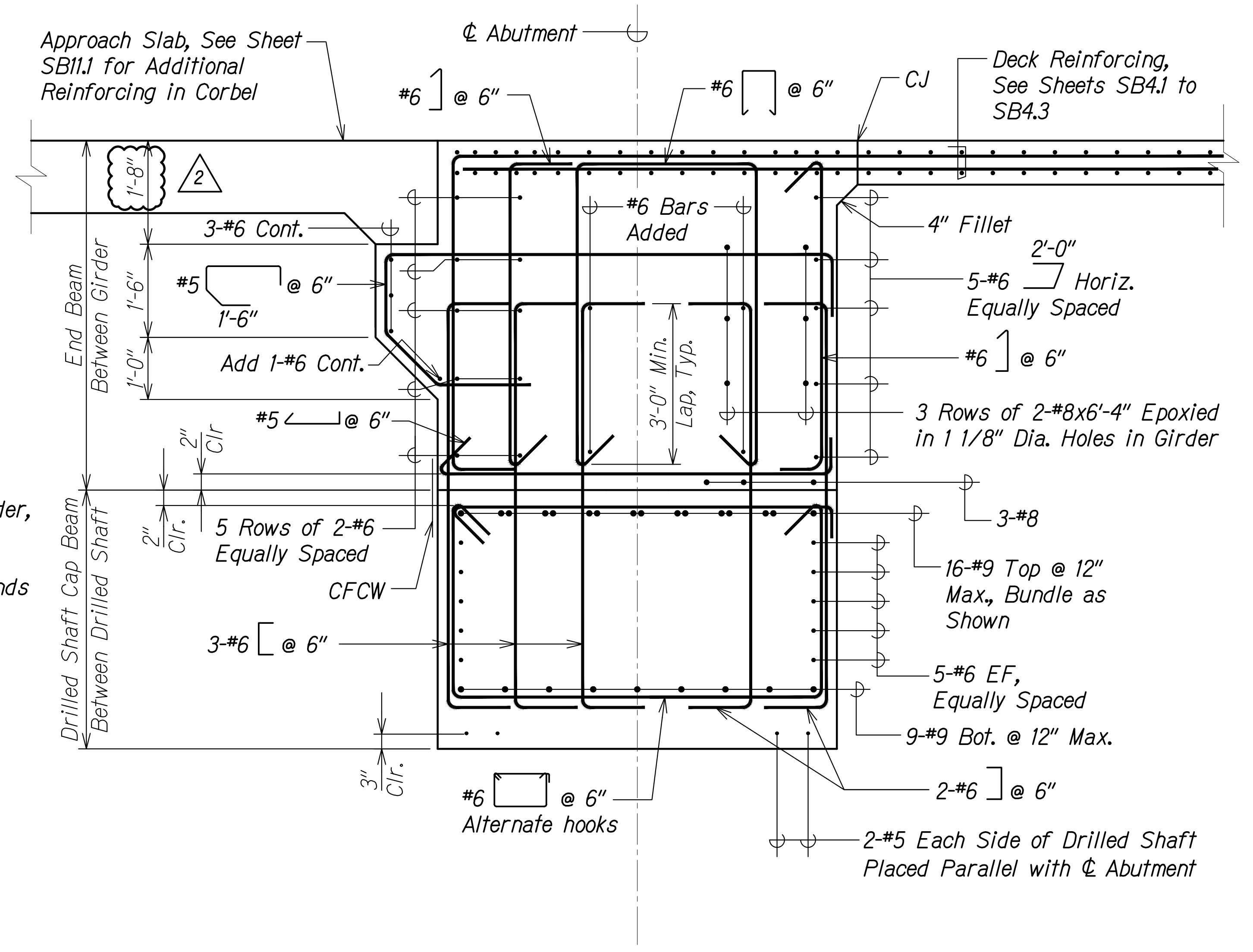
06/08/22	2	Revised Deck Reinforcing
DATE		REVISION
STATE OF HAWAII DEPARTMENT OF TRANSPORTATION HIGHWAYS DIVISION		
Kaloi Gulch Bridge Partial Deck Section		
FARRINGTON HIGHWAY WIDENING Kapolei Golf Course Road to Fort Weaver Road Project No. 7101A-01-20		
Scale: As Shown		Date: Apr. 2022

SHEET No. SB4.3 OF 4 SHEETS

FED. ROAD DIST. NO.	STATE	PROJ. NO.	FISCAL YEAR	SHEET NO.	TOTAL SHEETS
HAWAII	HAW.	7101A-01-20	2021	ADD. 447	



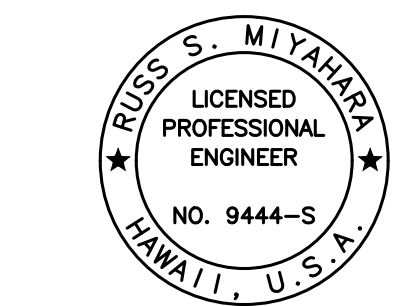
SECTION A
Scale: 3/4" = 1'-0"
SB7.1 | SB7.10
SB7.3



SECTION B
Scale: 3/4" = 1'-0"
SB7.1 | SB7.10
SB7.3

ORIGINAL PLAN	DATE
DRAWN BY	
DESIGNED BY	
QUANTITIES BY	
CHECKED BY	
No.	

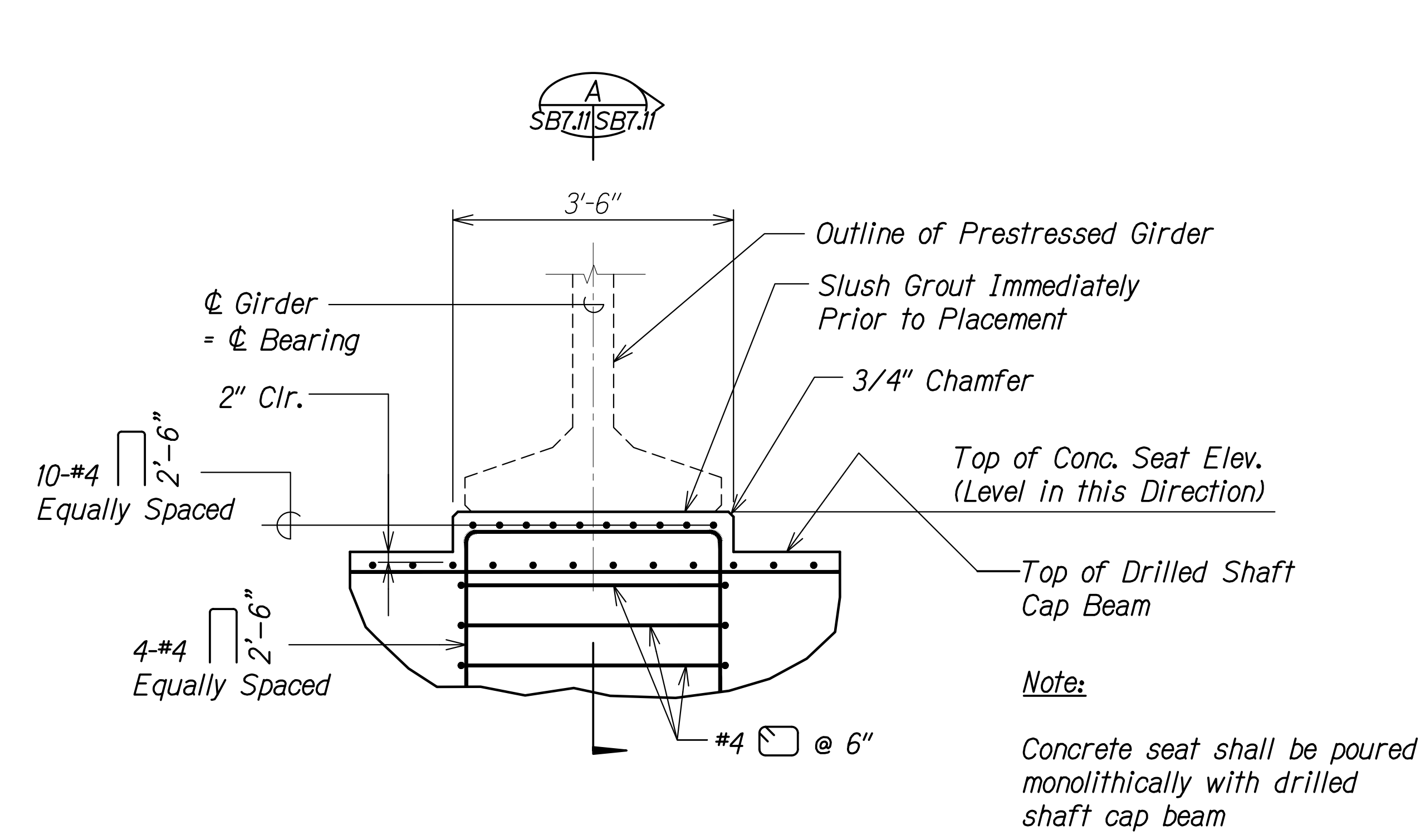
DRAWING NAME: Z:\A\00\CONCRETE\20-013-FARR-HWY-KAPOLEI.GC.ID.IT.WP2-RMT(C)01.GAO\06-06-21-ADD1-DELTA2\FHW3-SB0710-KALOI-ABUT-SECTION-ADD.DWG PLOT TIME: 06-06-22, 4:49 PM



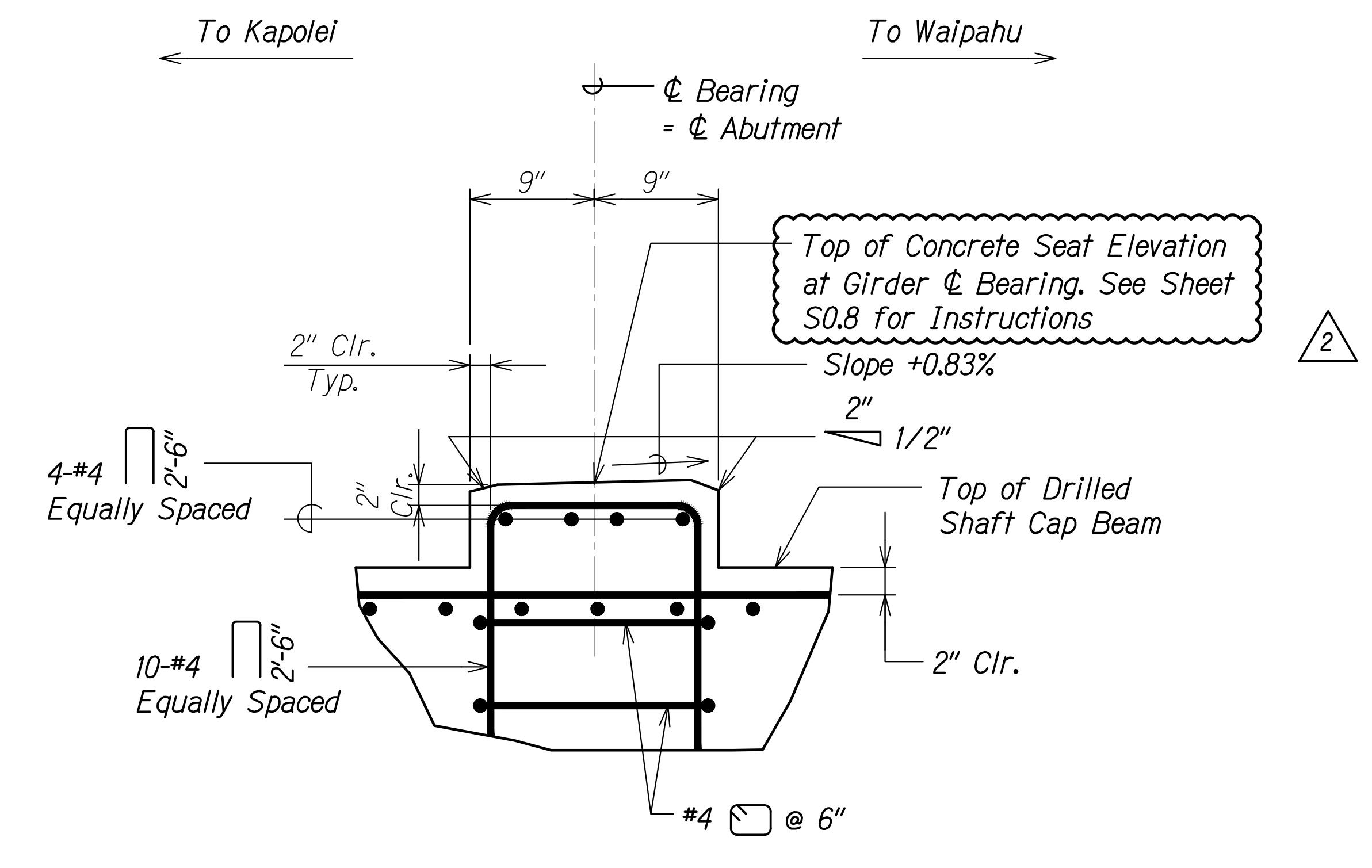
THIS WORK WAS PREPARED BY ME OR UNDER MY SUPERVISION AND CONSTRUCTION OF THIS PROJECT WILL BE UNDER MY OBSERVATION.
Signature: *Rugs S. Miyahara*
April 30, 2024
EXPIRATION DATE OF THE LICENSE

06/08/22	2	Locate Corbel
DATE		REVISION
STATE OF HAWAII DEPARTMENT OF TRANSPORTATION HIGHWAYS DIVISION		
Kaloie Gulch Bridge Abutment Section		
FARRINGTON HIGHWAY WIDENING Kapolei Golf Course Road to Fort Weaver Road Project No. 7101A-01-20		
Scale: As Shown		Date: Apr. 2022
SHEET No. SB7.10 OF 11 SHEETS		

FED. ROAD DIST. NO.	STATE	PROJ. NO.	FISCAL YEAR	SHEET NO.	TOTAL SHEETS
HAWAII	HAW.	7101A-01-20	2021	ADD. 448	



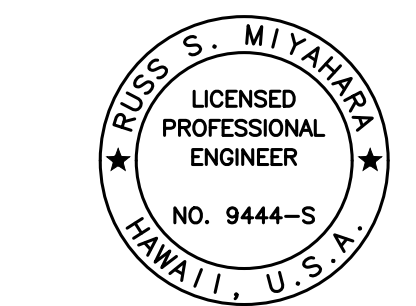
TYPICAL CONCRETE SEAT DETAIL
 Scale: 3/4" = 1'-0"
 1
 SB7.11 | SB7.11



SECTION A
 Scale: 1 1/2" = 1'-0"
 SB7.11 | SB7.11

SURVEY PLOTTED BY	DATE
DRAWN BY	
DESIGNED BY	
QUANTITIES BY	
CHECKED BY	

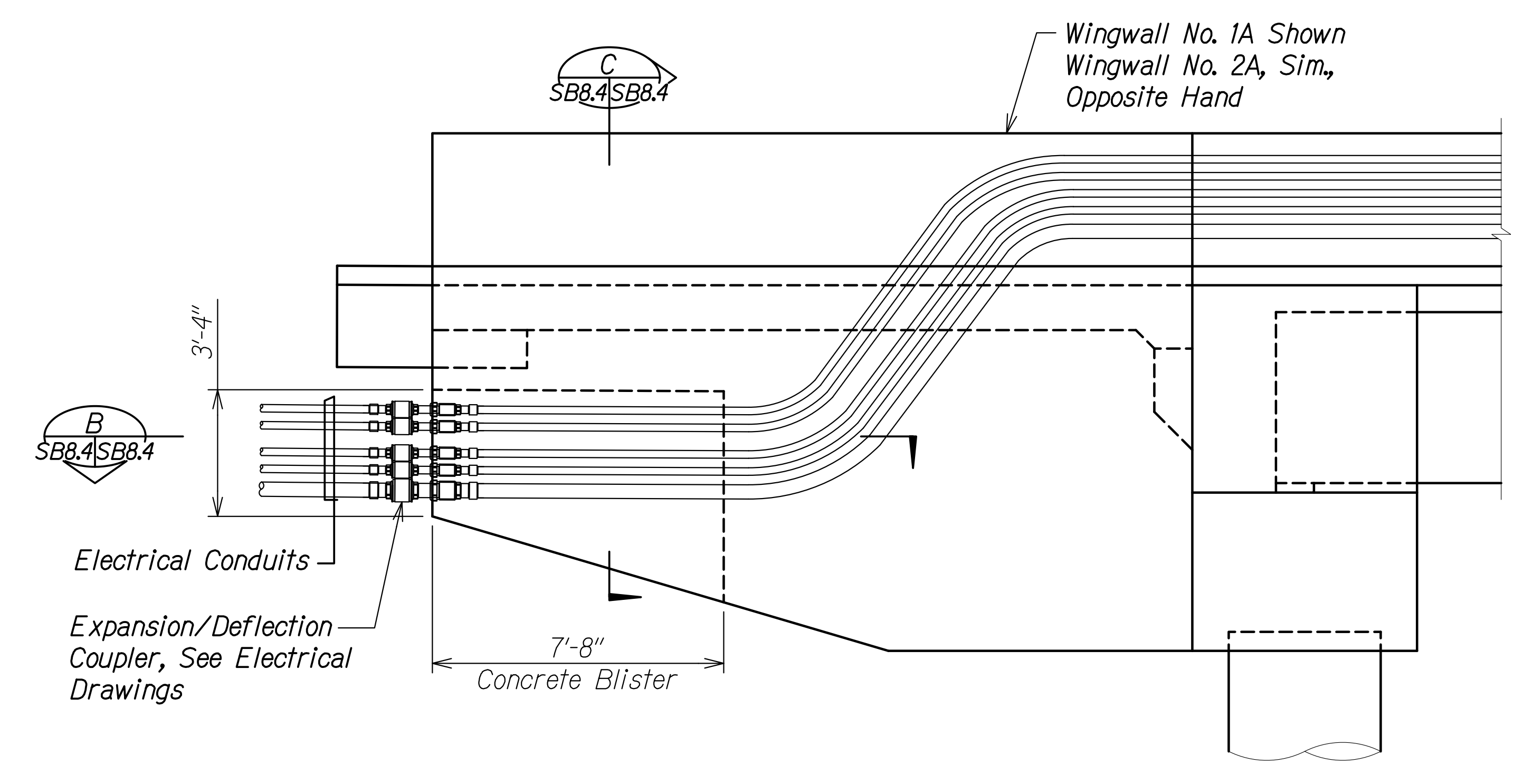
DRAWING NAME: Z:\00_ONGOING\20-013-FARR-HWY-KAPOLEI\06-10-ET-WR-EMTC\01-CA\06-06-21-ADD1-DETA2\HW3-SB0711-CONC-SEAT-ADD1.DWG PLOT TIME: 06-06-22 4:50 PM



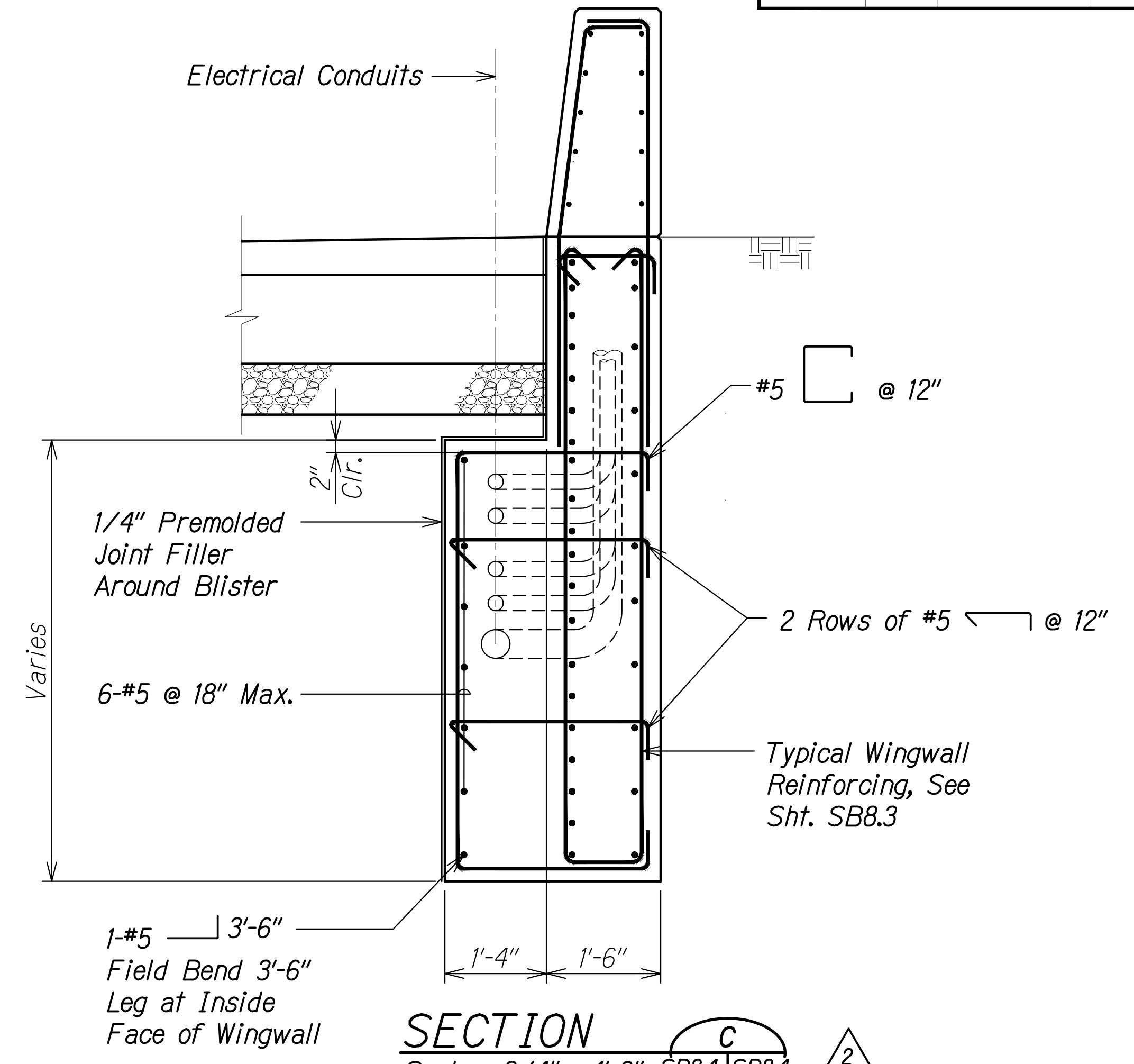
THIS WORK WAS PREPARED BY ME OR UNDER MY SUPERVISION AND CONSTRUCTION OF THIS PROJECT WILL BE UNDER MY OBSERVATION.
 Signature: RUGS S. MIYAKAWA
 April 30, 2024
 EXPIRATION DATE OF THE LICENSE

06/08/22	2	Revised Note
DATE		REVISION
STATE OF HAWAII DEPARTMENT OF TRANSPORTATION HIGHWAYS DIVISION Kaloi Gulch Bridge Concrete Seat Detail and Section FARRINGTON HIGHWAY WIDENING Kapolei Golf Course Road to Fort Weaver Road Project No. 7101A-01-20		
Scale: As Shown		Date: Apr. 2022
SHEET No. SB7.11 OF 11 SHEETS		

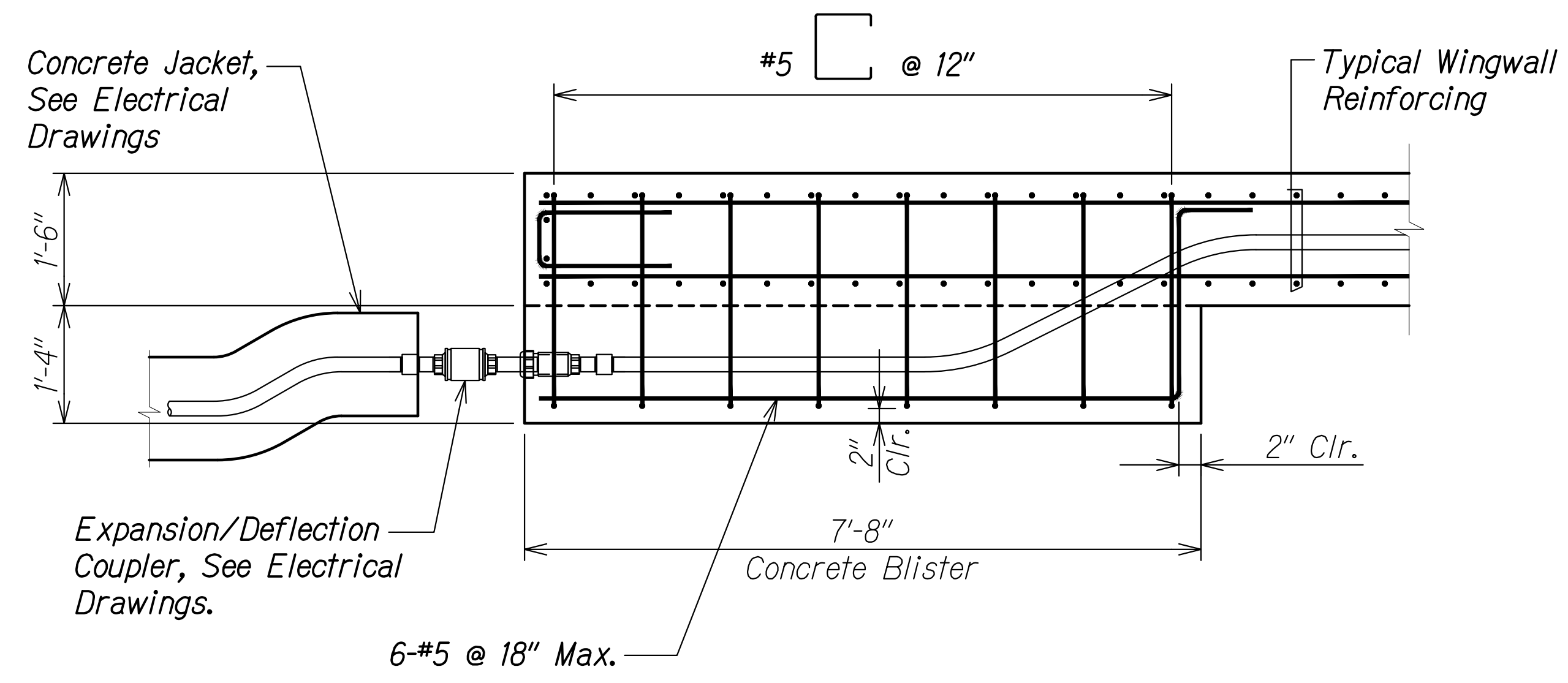
FED. ROAD DIST. NO.	STATE	PROJ. NO.	FISCAL YEAR	SHEET NO.	TOTAL SHEETS
HAWAII	HAW.	7101A-01-20	2021	ADD. 452	



WINGWALL ELEVATION
Scale: 3/8" = 1'-0"

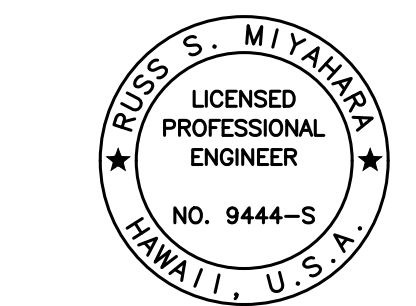


SECTION C
Scale: 3/4" = 1'-0"



SECTION B
Scale: 3/4" = 1'-0"

SURVEY PLOTTED BY	DATE
DRAWN BY	
DESIGNED BY	
QUANTITIES BY	
CHECKED BY	
ORIGINAL PLAN	
NOTE BOOK	
No.	

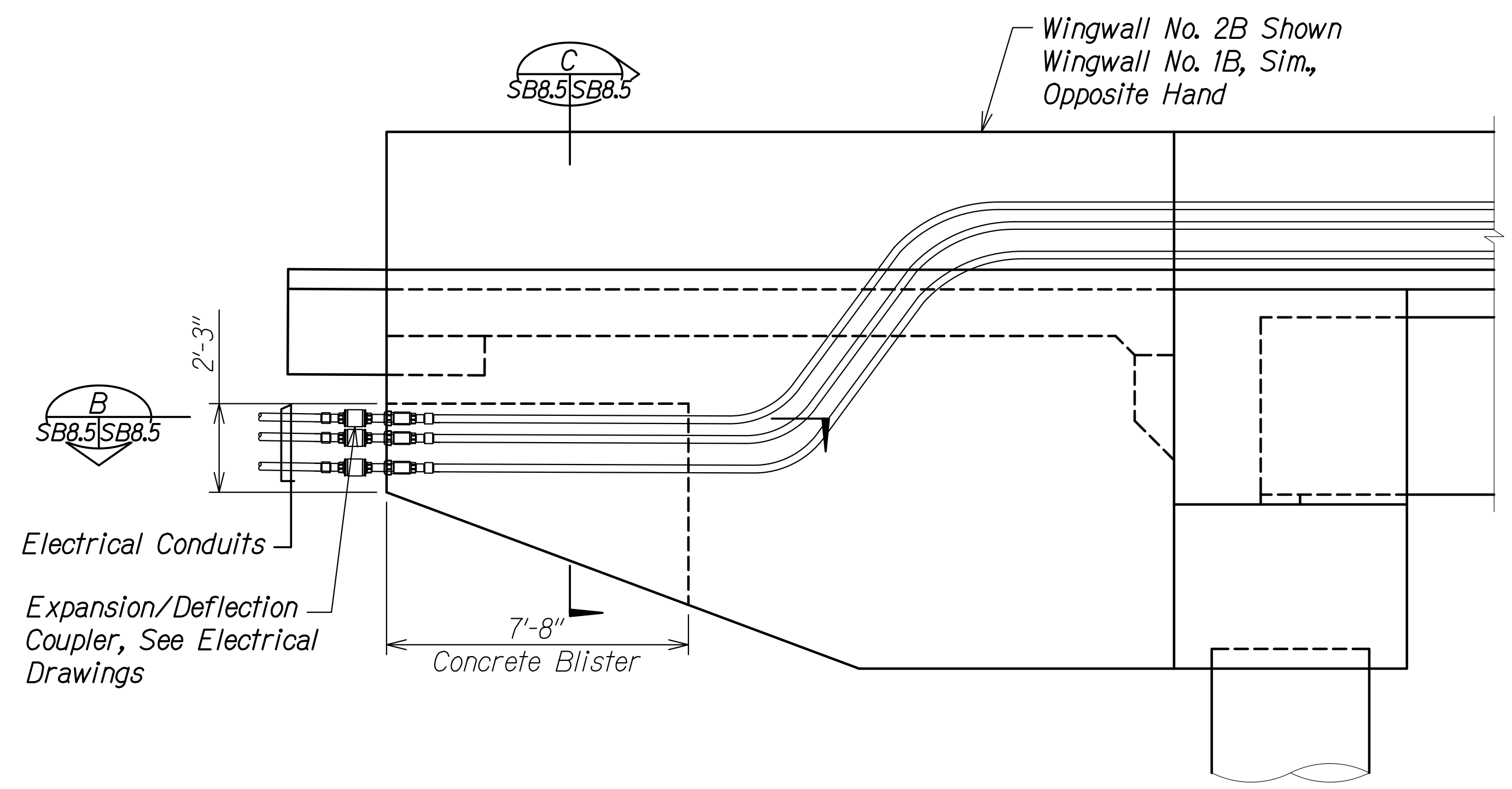


THIS WORK WAS PREPARED BY ME OR UNDER MY SUPERVISION AND CONSTRUCTION OF THIS PROJECT WILL BE UNDER MY OBSERVATION.

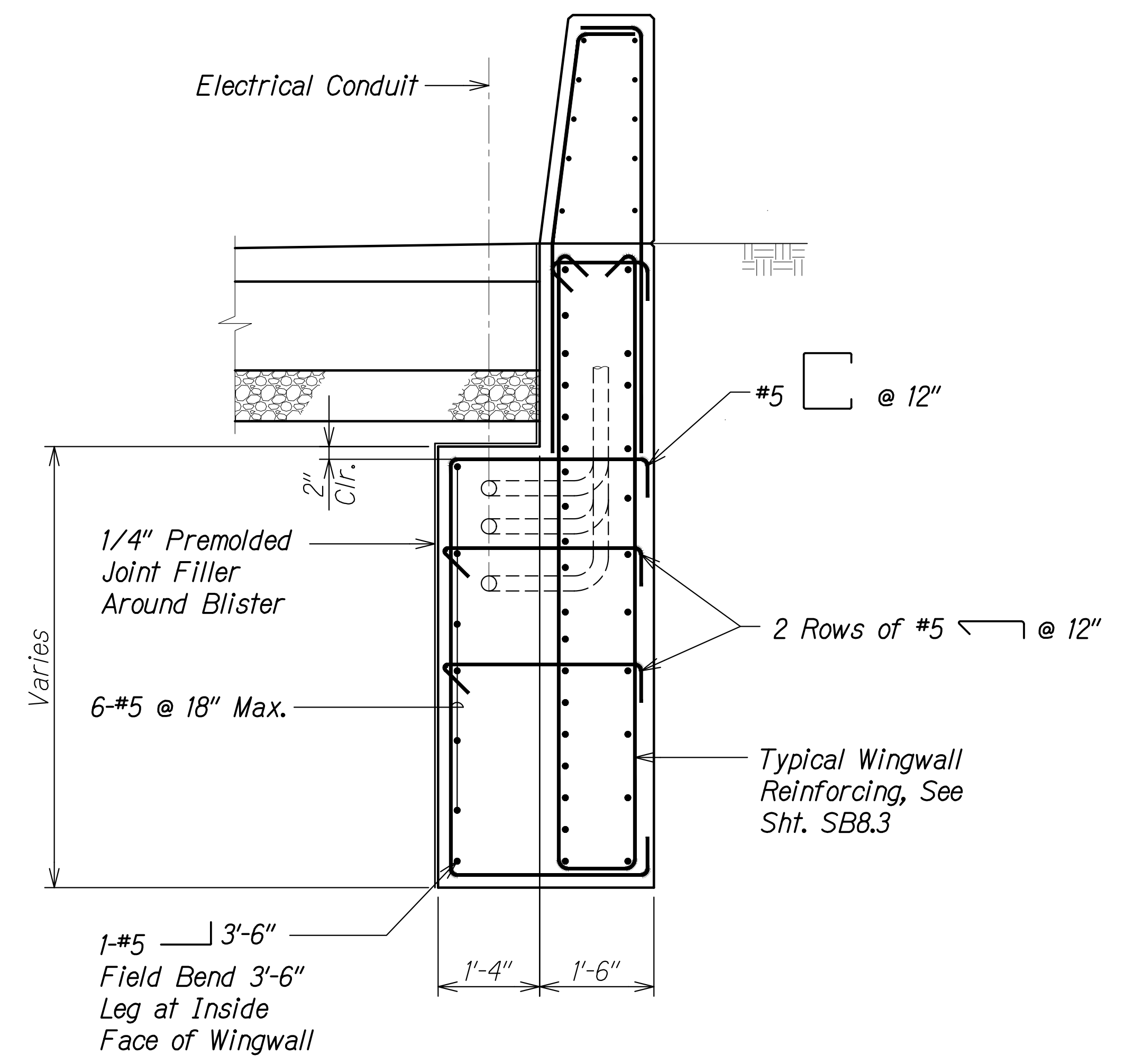
Rugo S. Miyahara
APR 30, 2024
SIGNATURE EXPIRATION DATE OF THE LICENSE

06/08/22	2	Revised Elevation and Sections. Removed CLSM
DATE	REVISION	
STATE OF HAWAII DEPARTMENT OF TRANSPORTATION HIGHWAYS DIVISION		
Kaloi Gulch Bridge Wingwall Elevation and Section		
FARRINGTON HIGHWAY WIDENING Kapolei Golf Course Road to Fort Weaver Road Project No. 7101A-01-20		
Scale: As Shown	Date: Apr. 2022	
SHEET No. SB8.4 OF 5 SHEETS		

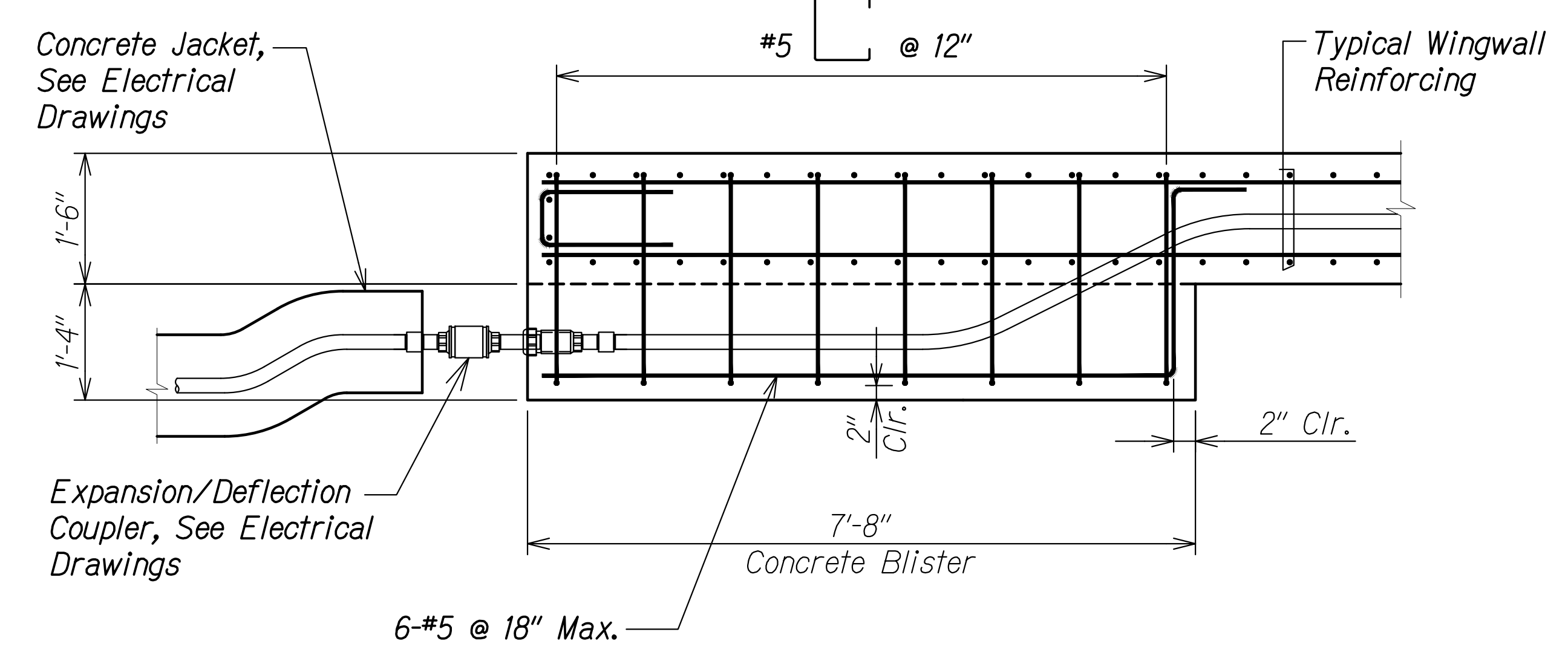
FED. ROAD DIST. NO.	STATE	PROJ. NO.	FISCAL YEAR	SHEET NO.	TOTAL SHEETS
HAWAII	HAW.	7101A-01-20	2021	ADD. 453	



WINGWALL ELEVATION
Scale: 3/8" = 1'-0"



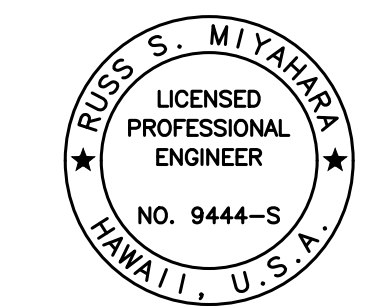
SECTION C
Scale: 3/4" = 1'-0"



SECTION B
Scale: 3/4" = 1'-0"

SURVEY PLOTTED BY	DATE
DRAWN BY	
DESIGNED BY	
QUANTITIES BY	
CHECKED BY	
ORIGINAL PLAN No.	

06/08/22	2	Revised Elevation and Sections. Removed CLSM
DATE	REVISION	



THIS WORK WAS PREPARED BY ME OR UNDER MY SUPERVISION AND CONSTRUCTION OF THIS PROJECT WILL BE UNDER MY OBSERVATION.

Rugo S. Miyahara
SIGNATURE

April 30, 2024
EXPIRATION DATE OF THE LICENSE

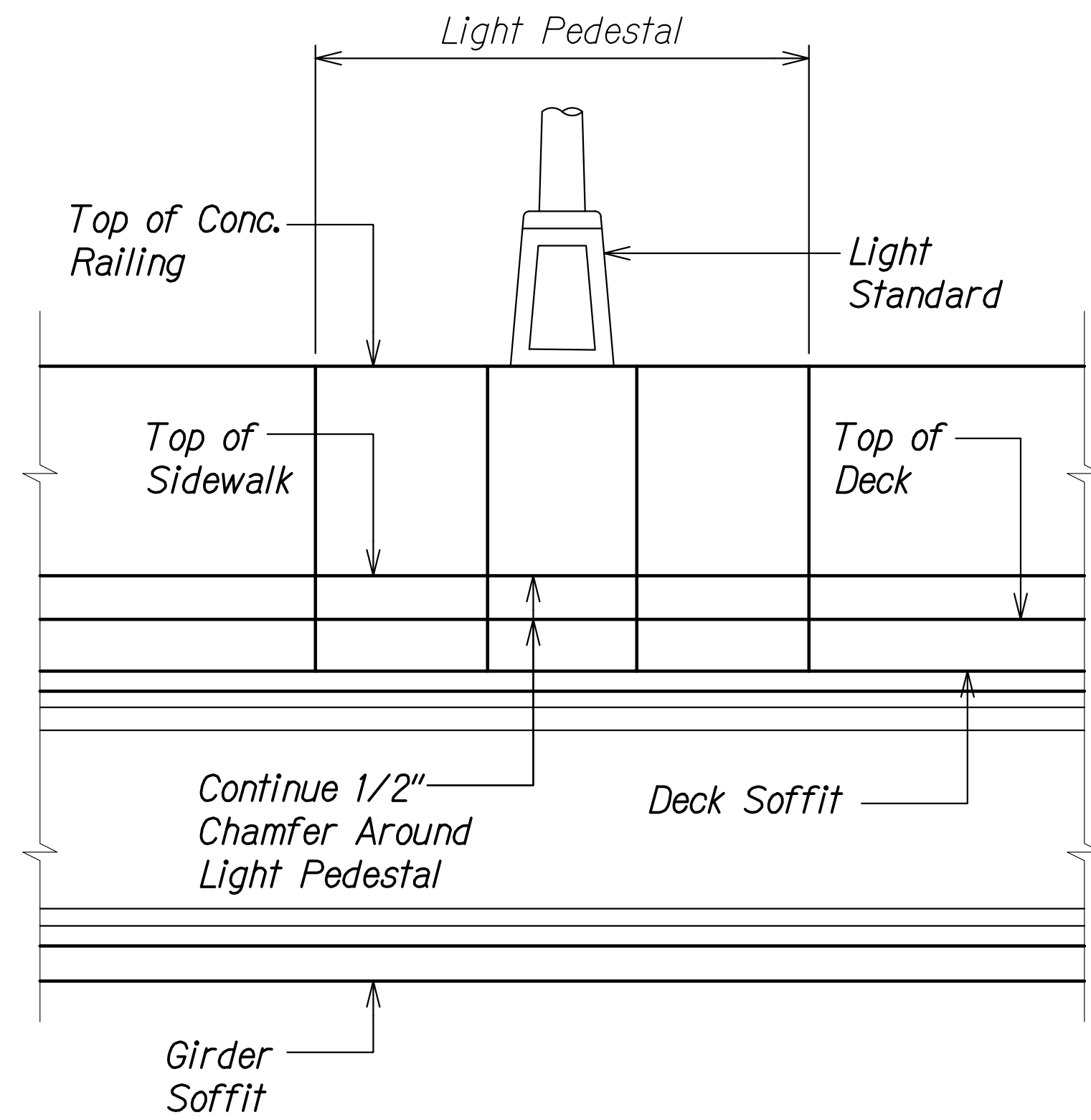
STATE OF HAWAII
DEPARTMENT OF TRANSPORTATION
HIGHWAYS DIVISION

Kaloi Gulch Bridge
Wingwall Elevation and Section

FARRINGTON HIGHWAY WIDENING
Kapolei Golf Course Road to Fort Weaver Road
Project No. 7101A-01-20

Scale: As Shown Date: Apr. 2022

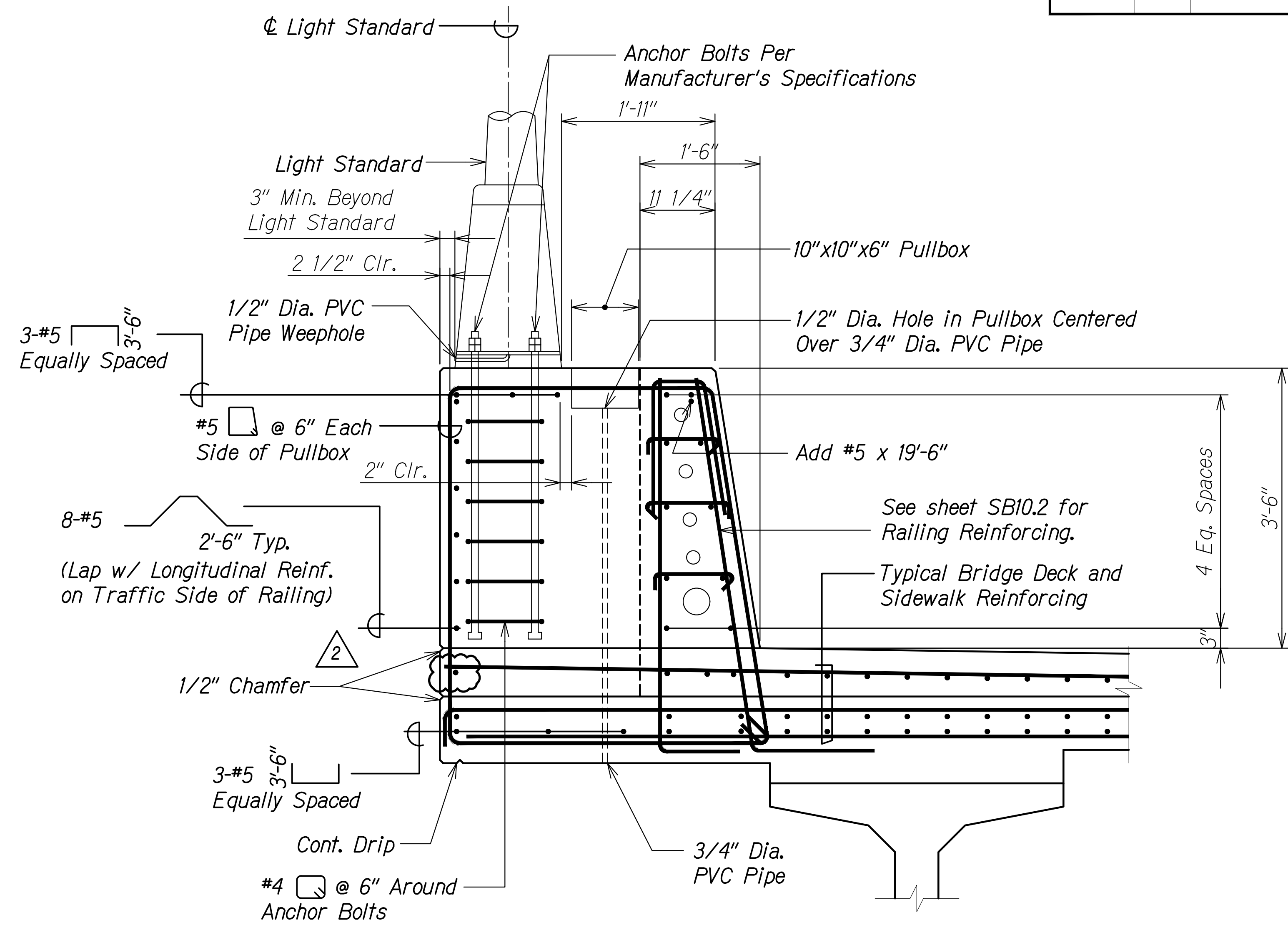
FED. ROAD DIST. NO.	STATE	PROJ. NO.	FISCAL YEAR	SHEET NO.	TOTAL SHEETS
HAWAII	HAW.	7101A-01-20	2021	ADD. 460	



ELEVATION - LIGHT PEDESTAL AT LIGHT STANDARD

Scale: 1/2" = 1'-0"

A
SBI0.4 | SBI0.4



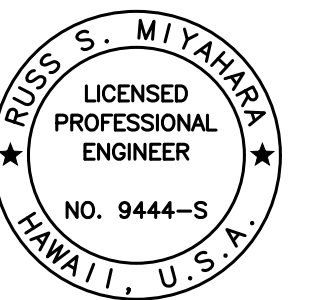
LIGHT PEDESTAL SECTION

Scale: 1" = 1'-0"

B
SBI0.3 | SBI0.4

Note:

Thickened railing at light pedestal location shall be incidental to the measurement and payment for Bridge Concrete Railing for Kalo.



THIS WORK WAS PREPARED BY ME OR UNDER MY SUPERVISION AND CONSTRUCTION OF THIS PROJECT WILL BE UNDER MY OBSERVATION.

Signature: *Russ S. Miyahara* April 30, 2024
EXPIRATION DATE OF THE LICENSE

ORIGINAL PLAN	SURVEY PLOTTED BY	DATE
NOTE BOOK	DRAWN BY	
No. _____	DESIGNED BY	
	QUANTITIES BY	
	CHECKED BY	

DRAWING NAME: Z:\00 ONGOING\20-013-FARR-HWY-KAPOLEI GC ID: FT-WR-BRITC\01-GAD\06-06-21-ADD1-DELTA2\HWY3-SB1004-KALO-GULCH BRIDGE-PED-ADD1-DWG PLOT TIME: 06-06-22: 4:59 PM

06/08/22	2	Revised Section
DATE		REVISION

STATE OF HAWAII
DEPARTMENT OF TRANSPORTATION
HIGHWAYS DIVISION

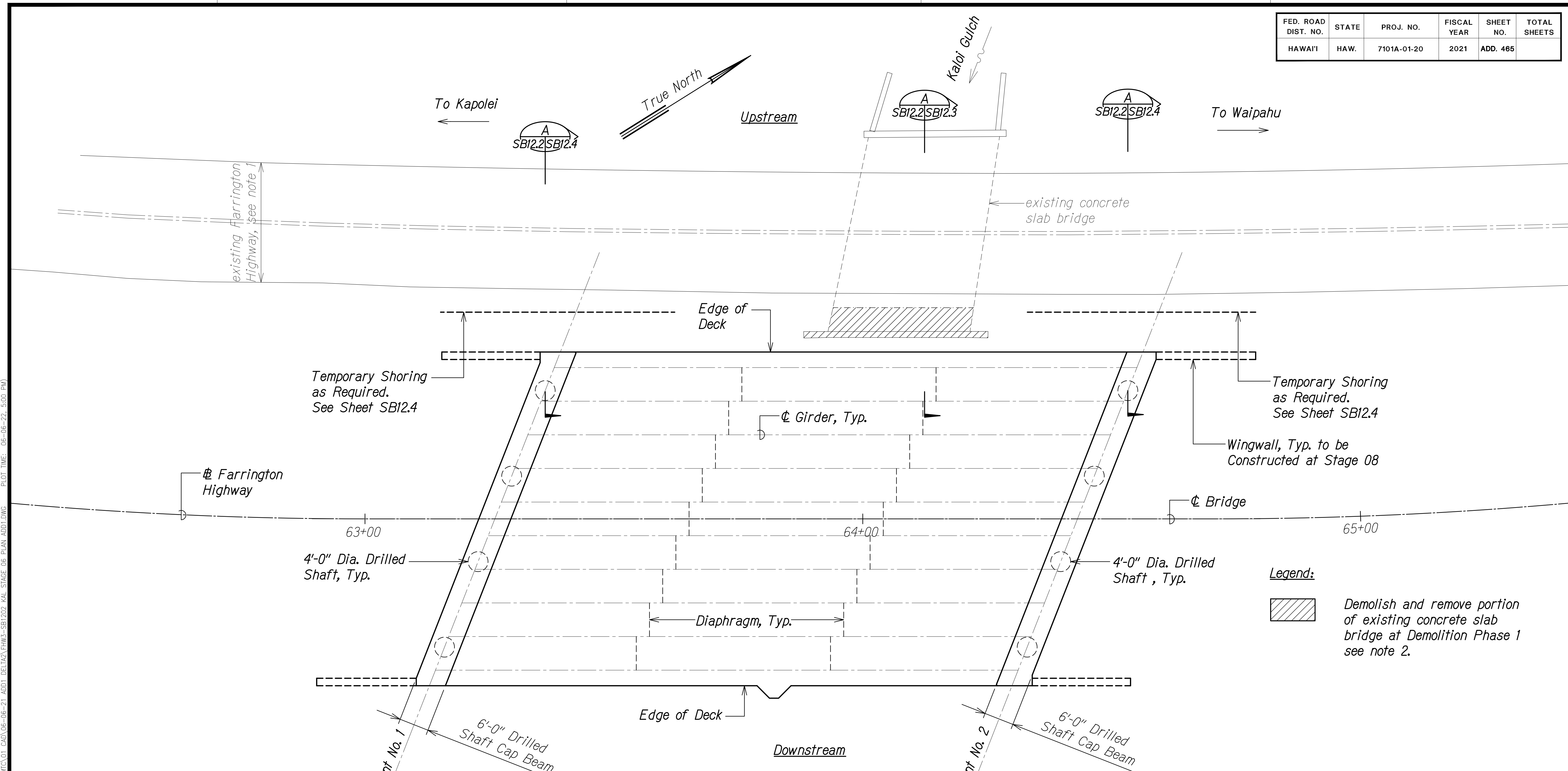
Kalo Gulch Bridge
Light Pedestal Elevation and Sections

FARRINGTON HIGHWAY WIDENING
Kapolei Golf Course Road to Fort Weaver Road
Project No. 7101A-01-20

Scale: As Shown Date: Apr. 2022

SHEET No. SB10.4 OF 4 SHEETS

FED. ROAD DIST. NO.	STATE	PROJ. NO.	FISCAL YEAR	SHEET NO.	TOTAL SHEETS
HAWAII	HAW.	7101A-01-20	2021	ADD. 465	



Legend:

Demolish and remove portion of existing concrete slab bridge at Demolition Phase 1 see note 2.

- Notes:**
- Existing Farrington Highway roadway shown as reference only. For detour road and temporary barrier requirements, see Civil sheet TC-8.
 - For demolition of all existing structures, see sheets SB3.1 to SB3.5.
 - For temporary shoring requirements and contractor submittals, see structural general note 8.H. Temporary slopes for excavation shall be 1H:1V or flatter.

LAYOUT PLAN - STAGE 06
 Scale: 1" = 10'-0"
 A
 SBI2.2 | SBI2.2

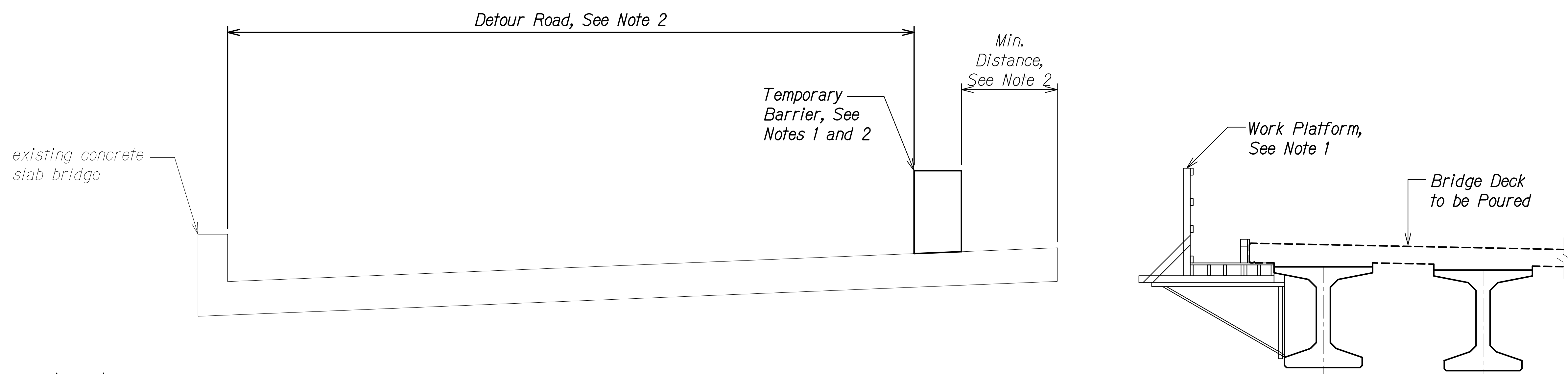
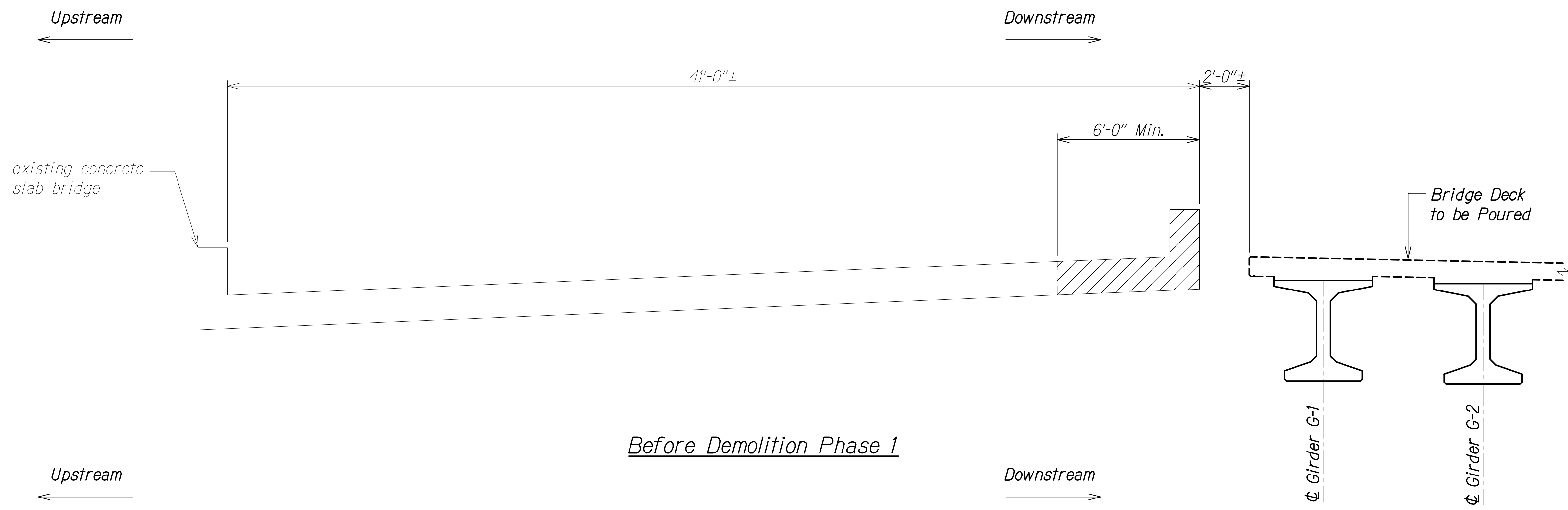
SURVEY PLOTTED BY	DATE
DRAWN BY	
DESIGNED BY	
QUANTITIES BY	
CHECKED BY	
ORIGINAL PLAN	
NOTE BOOK	
No.	

DRAWING NAME: Z:\A00\ONDONGMNS\20-013-FARR-HWY-KAPOLEI\01-GAD\06-06-21-ADD1-DELTA2\DWG-SBI2.202 KAL STAGE 06 PLAN ADD1.DWG PLOT TIME: 06-06-22, 5:00 PM

THIS WORK WAS PREPARED BY ME OR UNDER MY SUPERVISION AND CONSTRUCTION OF THIS PROJECT WILL BE UNDER MY OBSERVATION.
 Signature: *Rugo S. Miyahara*
 April 30, 2024
 EXPIRATION DATE OF THE LICENSE

06/08/22	2	Revised Note
DATE	REVISION	
STATE OF HAWAII DEPARTMENT OF TRANSPORTATION HIGHWAYS DIVISION Kaloi Gulch Bridge Layout Plan During Construction FARRINGTON HIGHWAY WIDENING Kapolei Golf Course Road to Fort Weaver Road Project No. 7101A-01-20		
Scale: As Shown	Date: Apr. 2022	
SHEET No. SBI2.2 OF 4 SHEETS		

FED. ROAD DIST. NO.	STATE	PROJ. NO.	FISCAL YEAR	SHEET NO.	TOTAL SHEETS
HAWAII	HAW.	7101A-01-20	2021	ADD. 466	



Legend:

Demolish and remove portion of existing concrete slab bridge at Demolition Phase 1.

Notes:

1. Work platform and temporary barrier are shown for schematic purposes.
2. For detour road and temporary barrier requirements, see Civil sheet **TC-8**.
3. Horizontal distances shown are measured perpendicular to Farrington Highway.

After Demolition Phase 1

SECTION AT STREAM
 Scale: 3/8" = 1'-0"
 A
 SB12.2 | SB12.3

SURVEY PLOTTED BY	DATE
DRAWN BY	
DESIGNED BY	
QUANTITIES BY	
CHECKED BY	
ORIGINAL PLAN	
NOTE BOOK	
No.	

DRAWING NAME: Z:\100\CONCRETE\20-013-FARR-HWY-KAPOLEI\GE.ID.IT.WRK-EMTC\01.GRD\06-06-21\ADD1-DELTA2\EMHS-SB1203-KAL STAGE SECT ADD1.DWG PLOT TIME: 06-06-22, 5:03 PM

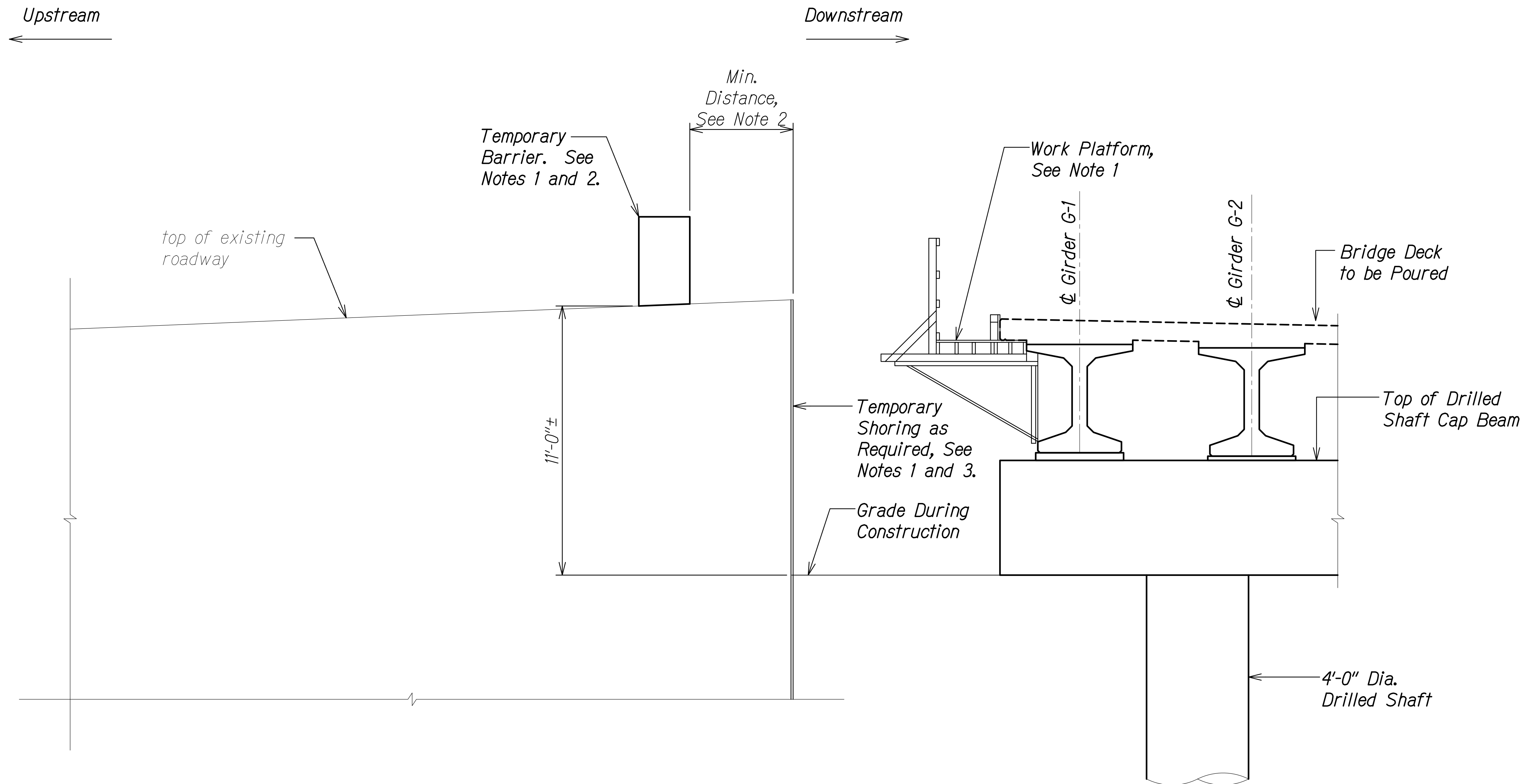
THIS WORK WAS PREPARED BY ME OR UNDER MY SUPERVISION AND CONSTRUCTION OF THIS PROJECT WILL BE UNDER MY OBSERVATION.

Paul S. Miyahara
 SIGNATURE
 EXPIRATION DATE OF THE LICENSE: April 30, 2024

PAUL S. MIYAHARA
 LICENSED PROFESSIONAL ENGINEER
 NO. 9444-S
 HAWAII, U.S.A.

06/08/22	2	Revised Note
DATE	REVISION	
STATE OF HAWAII DEPARTMENT OF TRANSPORTATION HIGHWAYS DIVISION Kaloi Gulch Bridge Section During Construction FARRINGTON HIGHWAY WIDENING Kapolei Golf Course Road to Fort Weaver Road Project No. 7101A-01-20		
Scale: As Shown	Date: Apr. 2022	
SHEET No. S12.3 OF 4 SHEETS		

FED. ROAD DIST. NO.	STATE	PROJ. NO.	FISCAL YEAR	SHEET NO.	TOTAL SHEETS
HAWAII	HAW.	7101A-01-20	2021	ADD. 467	

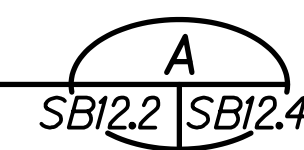


Notes:

1. Work platform, temporary barrier, and temporary shoring are shown for schematic purposes.
2. For detour road and temporary barrier requirements, see Civil sheet TC-8.
3. For temporary shoring requirements and contractor submittals, see structural general note 8.H. Temporary slopes for excavation shall be 1H:1V or flatter.

SECTION AT NEW ABUTMENT

Scale: 3/8" = 1'-0"



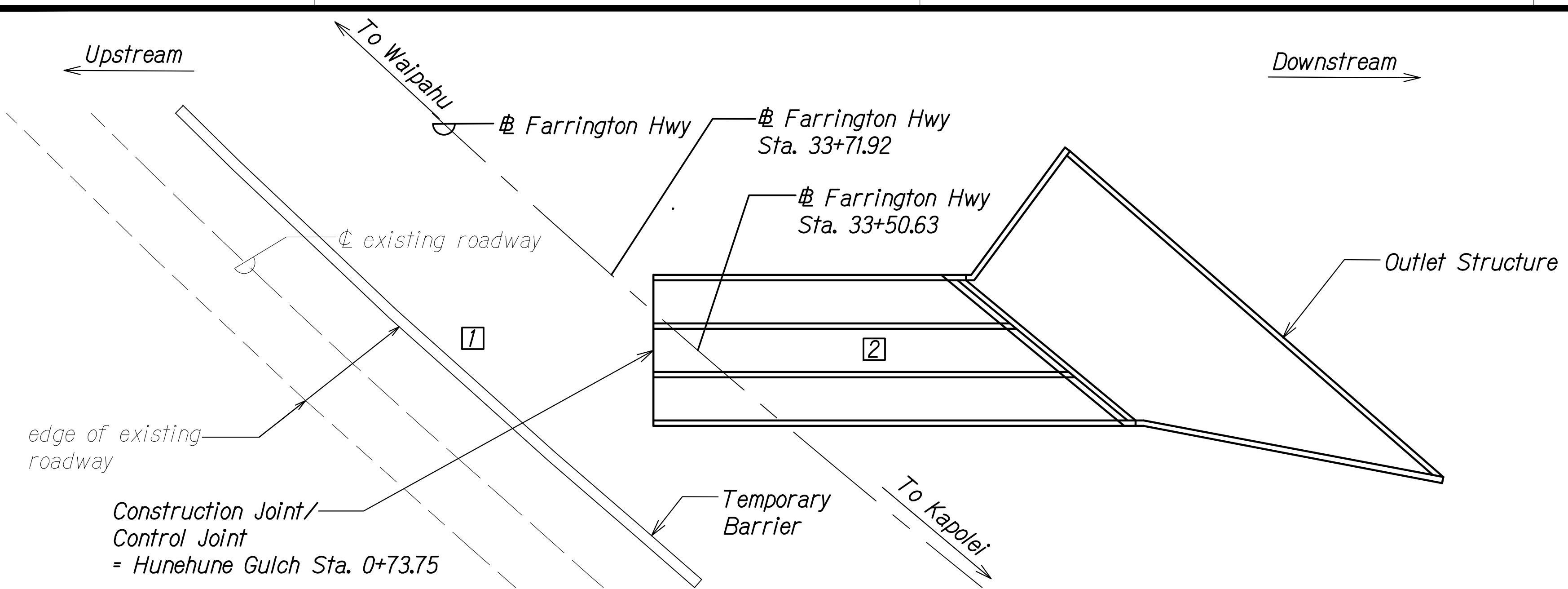
SURVEY PLOTTED BY	DATE
DRAWN BY	
DESIGNED BY	
QUANTITIES BY	
CHECKED BY	
ORIGINAL PLAN	
NOTE BOOK	
No.	

DRAWING NAME: Z:\100 UNDOING\20-013-FARR-HWY-KAPOLEI-GC-10-11-WIP-EMT\01-GAD\06-06-21-ADD1-DELTA2\HWY-SB\203-KAL-STAGE-SECT-ADD1.DWG PLOT TIME: 06-06-22, 5:03 PM

06/08/22	2	Revised Note
DATE	REVISION	
STATE OF HAWAII DEPARTMENT OF TRANSPORTATION HIGHWAYS DIVISION Kaloi Gulch Bridge Section During Construction FARRINGTON HIGHWAY WIDENING Kapolei Golf Course Road to Fort Weaver Road Project No. 7101A-01-20		
Scale: As Shown	Date: Apr. 2022	

THIS WORK WAS PREPARED BY ME OR UNDER MY SUPERVISION AND CONSTRUCTION OF THIS PROJECT WILL BE UNDER MY OBSERVATION.
Rugo S. Miyakawa
 SIGNATURE April 30, 2024
 EXPIRATION DATE OF THE LICENSE

FED. ROAD DIST. NO.	STATE	PROJ. NO.	FISCAL YEAR	SHEET NO.	TOTAL SHEETS
HAWAII	HAW.	7101A-01-20	2021	ADD. 493	



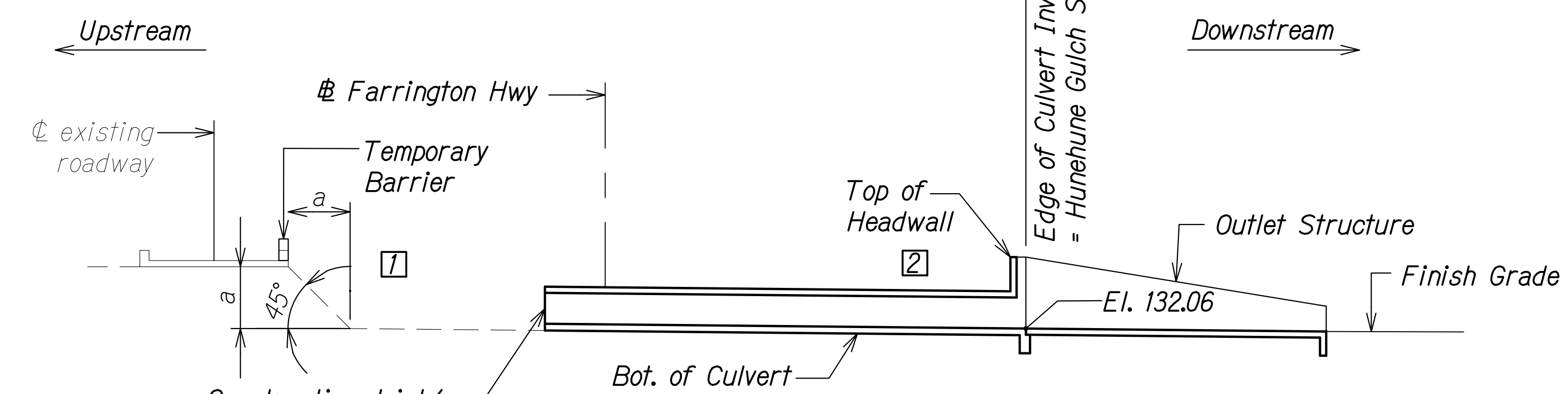
LAYOUT PLAN
Scale: Not to Scale

CONSTRUCTION STAGE 1

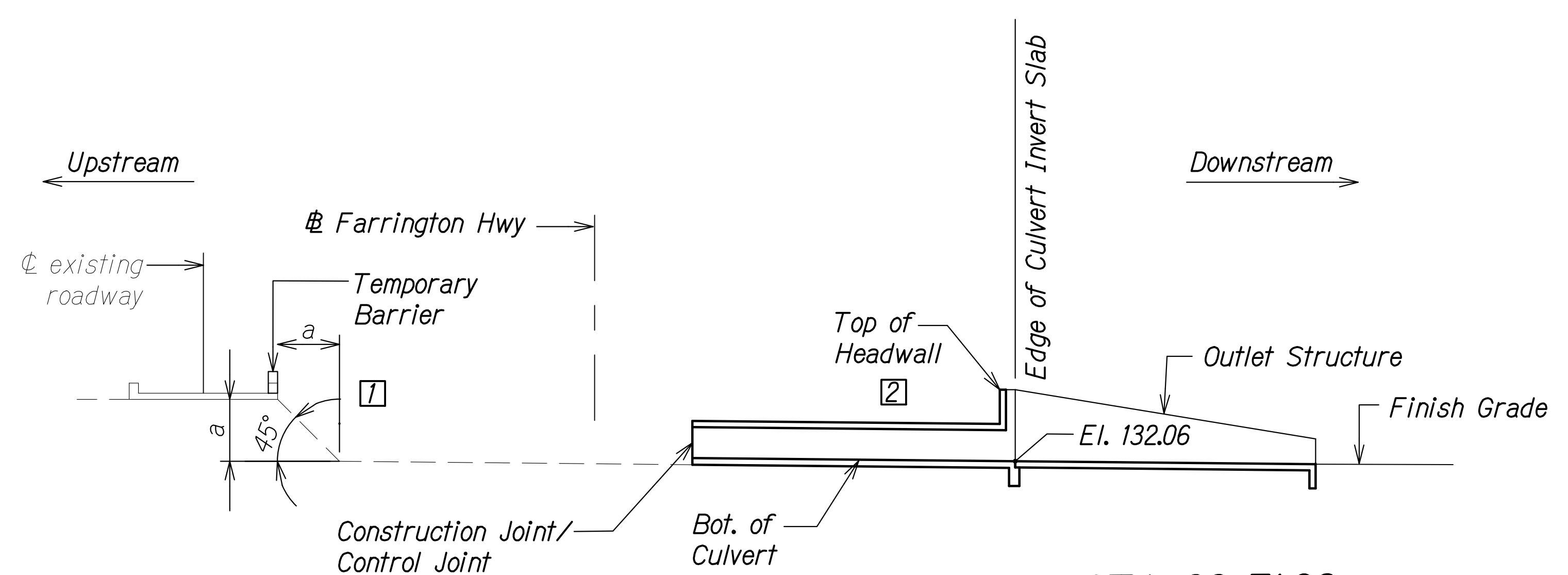
- 1 Excavate and cut grade for construction of downstream end of culvert.
- 2 Install Temporary Barrier along existing roadway. For layout and extent of temporary barrier along existing roadway, (see Traffic Control Plan - Phase 1, Sheet TC-24. 2)

Notes:

The Contractor shall submit working drawings for the limits of excavation and demolition to the Engineer for approval. The working drawings shall show all proposed bracing and shoring as needed to protect the existing roadway and detour road. Demolition and excavation shall be coordinated with any temporary shoring, detour road, and construction of the new culvert.



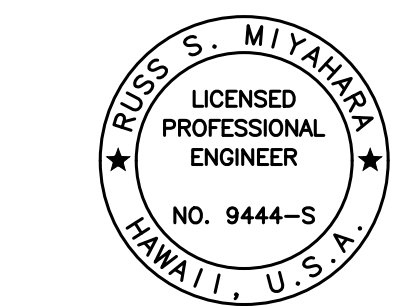
SECTION AT STA 33+50.63
Scale: Not to Scale



SECTION AT STA 33+71.92
Scale: Not to Scale

SURVEY PLOTTED BY	DATE
DRAWN BY	
DESIGNED BY	
QUANTITIES BY	
CHECKED BY	
ORIGINAL PLAN	No.
NOTE BOOK	

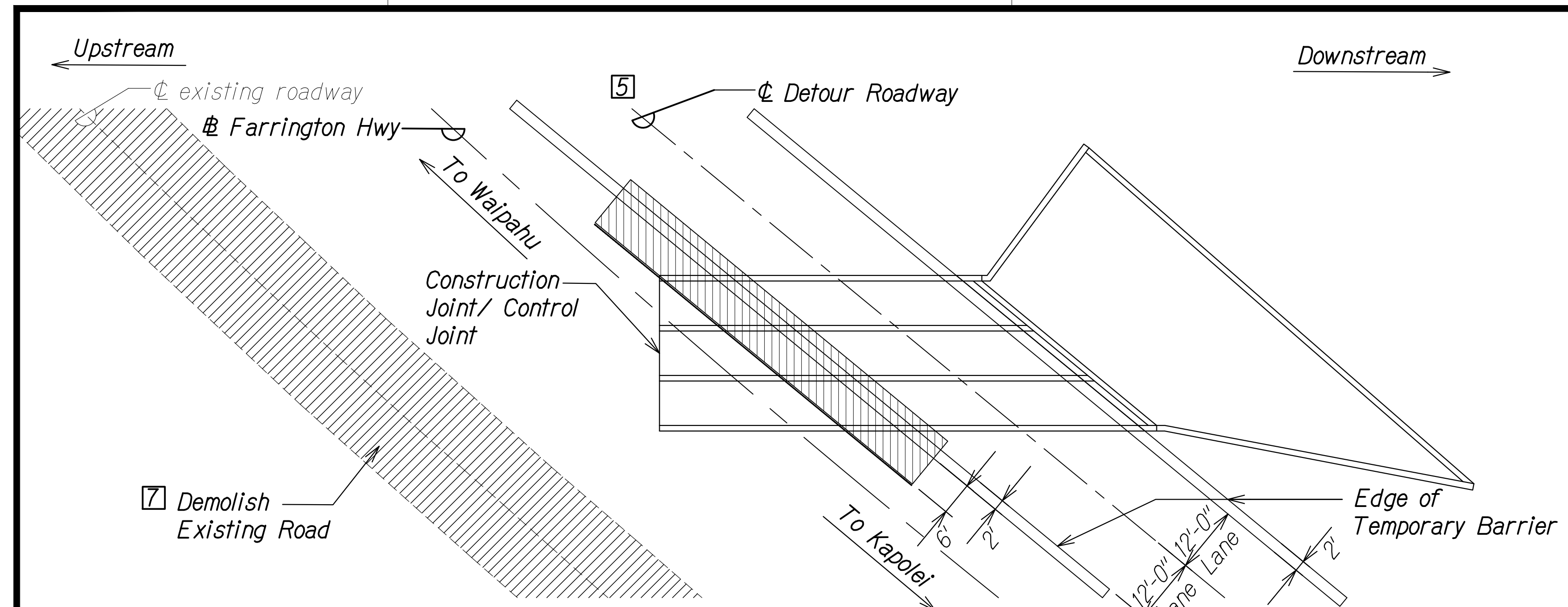
DRAWING NAME: Z:\100 ONGOING\20-013-FARR HWY KAPOLEI GC ID ET WIP-EMTC\01 CAD\06-06-21 ADD1 DELTA2\HWY3-SC0218-HUNE CONSTR-SEO ADD1.DWG PLOT TIME: 06-06-22, 5:06 PM



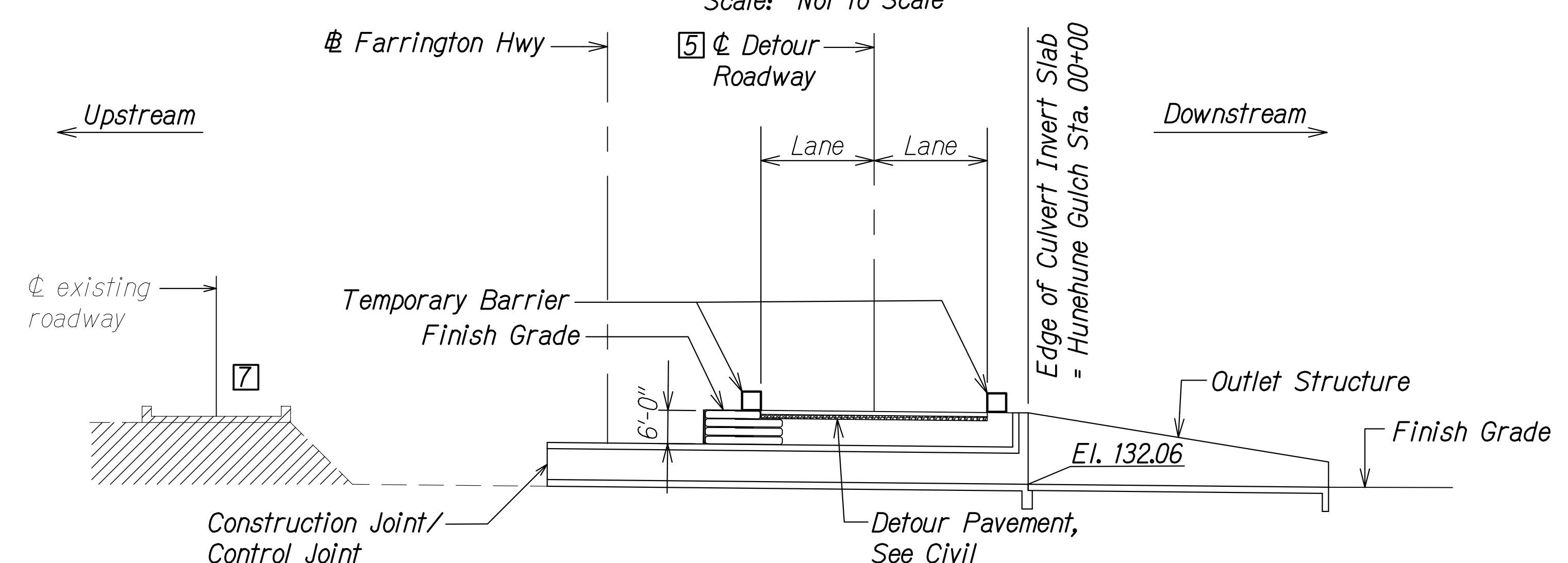
THIS WORK WAS PREPARED BY ME OR UNDER MY SUPERVISION AND CONSTRUCTION OF THIS PROJECT WILL BE UNDER MY OBSERVATION.
 Signature: *Rugo S. Miyahara*
 April 30, 2024
 EXPIRATION DATE OF THE LICENSE

06/08/22	2	Revised Note
DATE	REVISION	
STATE OF HAWAII DEPARTMENT OF TRANSPORTATION HIGHWAYS DIVISION Hunehune Gulch Box Culvert Construction Sequence FARRINGTON HIGHWAY WIDENING Kapolei Golf Course Road to Fort Weaver Road Project No. 7101A-01-20		
Scale: As Shown	Date: Apr. 2022	
SHEET No. SC2.18 OF 23 SHEETS		

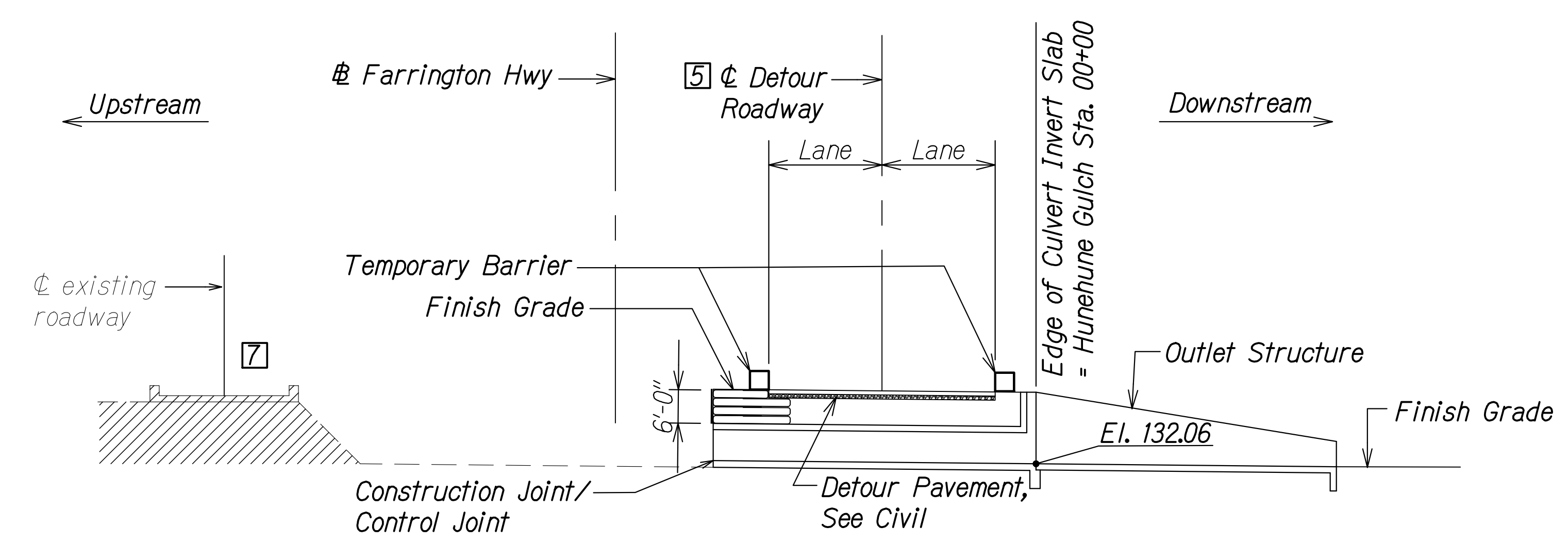
FED. ROAD DIST. NO.	STATE	PROJ. NO.	FISCAL YEAR	SHEET NO.	TOTAL SHEETS
HAWAII	HAW.	7101A-01-20	2021	ADD. 495	



LAYOUT PLAN
Scale: Not to Scale



SECTION AT STA 33+50.63
Scale: Not to Scale



SECTION AT STA 33+71.92
Scale: Not to Scale

CONSTRUCTION STAGE 3

- 5 Construct detour roadway. See *Traffic Control Plan - Phase 2, Sheet TC-28.2*.
Install Temporary Barrier along detour roadway. For extent and location of temporary barriers along detour roadway, see *Traffic Control Plan - Phase 2, Sheet TC-28.2*.
- 6 Open traffic to detour roadway.
- 7 Demolish existing roadway structure.

Notes:

The Contractor shall submit working drawings for the limits of excavation and demolition to the Engineer for approval. The working drawings shall show all proposed bracing and shoring as needed to protect the existing roadway and detour road. Demolition and excavation shall be coordinated with any temporary shoring, detour road, and construction of the new culvert.

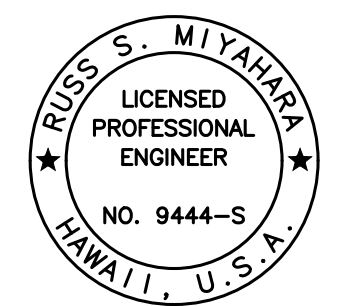
SURVEY PLOTTED BY	DATE
DRAWN BY	
DESIGNED BY	
QUANTITIES BY	
CHECKED BY	
ORIGINAL PLAN	No.
NOTE BOOK	

DRAWING NAME: Z:\100 UNDOINGS\20-013-FARR-HWY-KAPOLEI.GC.ID.IT.WIP-EMTC\01.GRD 06-06-21 4:01 DELTA2.EHW3-SC0218-HUNE CONSTR-SEO ADD.LWG PLOT TIME: 06-06-22 4:07 PM

THIS WORK WAS PREPARED BY ME OR UNDER MY SUPERVISION AND CONSTRUCTION OF THIS PROJECT WILL BE UNDER MY OBSERVATION.

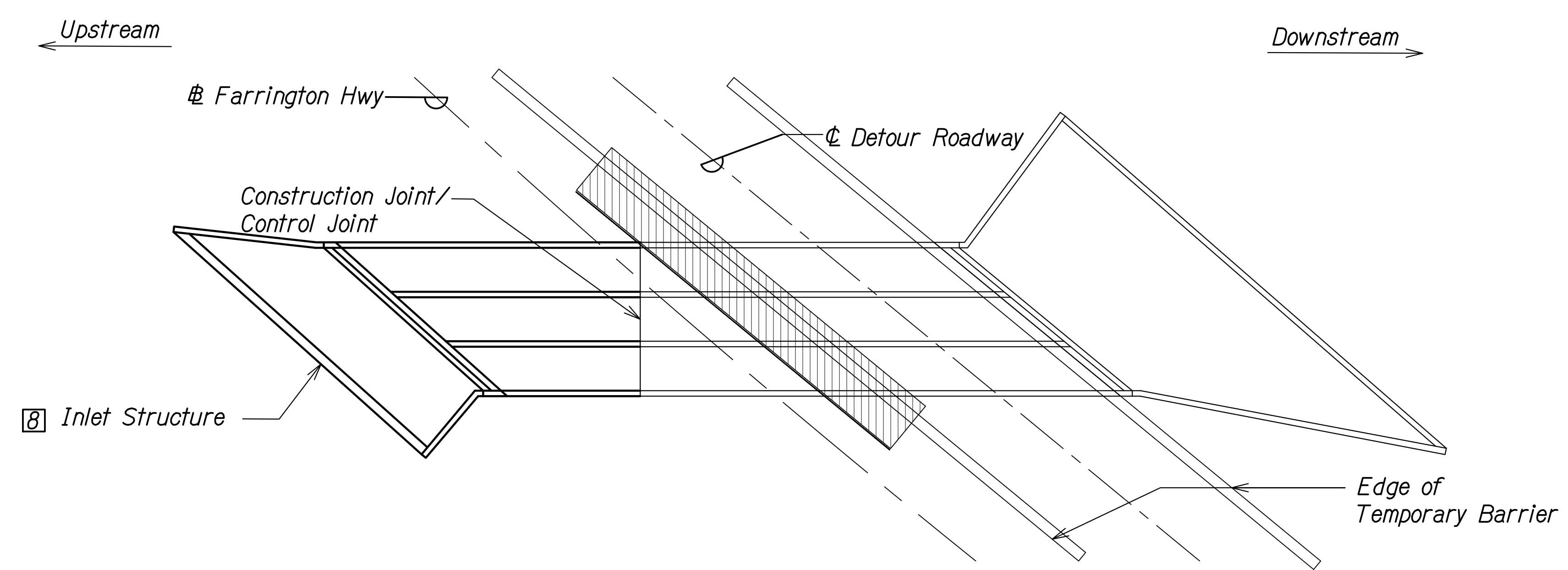
Russ S. Miyahara
SIGNATURE

April 30, 2024
EXPIRATION DATE OF THE LICENSE



06/08/22	2	Revised Note
DATE		REVISION
STATE OF HAWAII DEPARTMENT OF TRANSPORTATION HIGHWAYS DIVISION Hunehune Gulch Box Culvert Construction Sequence FARRINGTON HIGHWAY WIDENING Kapolei Golf Course Road to Fort Weaver Road Project No. 7101A-01-20		
Scale: As Shown	Date: Apr. 2022	
SHEET No. SC2.20 OF 23 SHEETS		

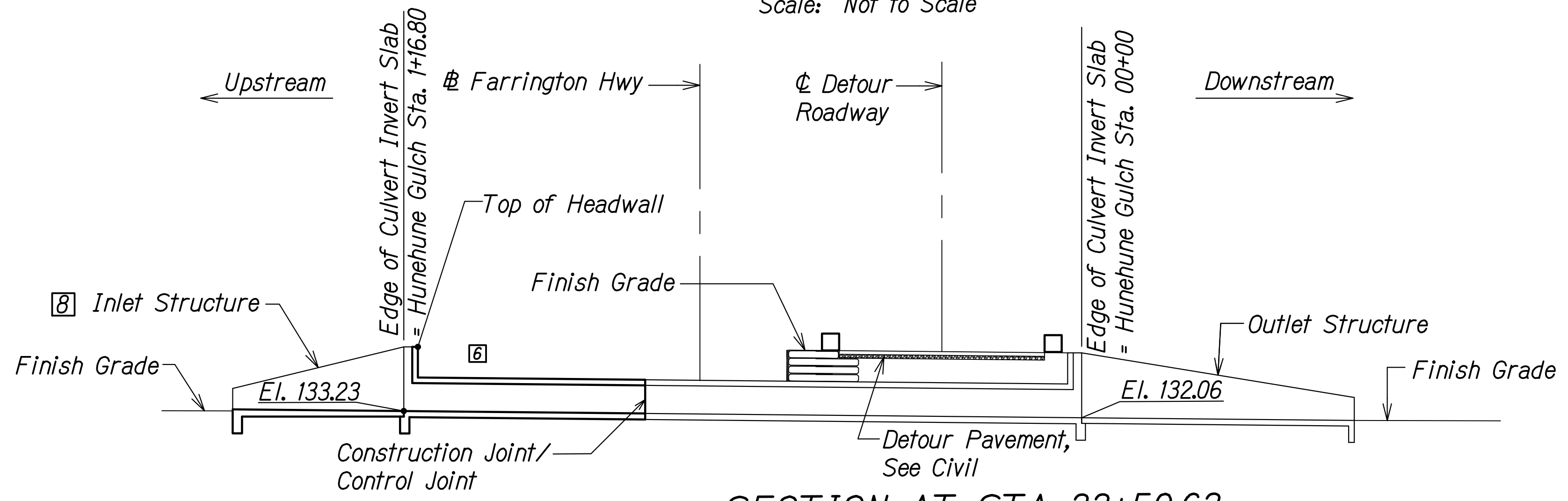
FED. ROAD DIST. NO.	STATE	PROJ. NO.	FISCAL YEAR	SHEET NO.	TOTAL SHEETS
HAWAII	HAW.	7101A-01-20	2021	ADD. 496	



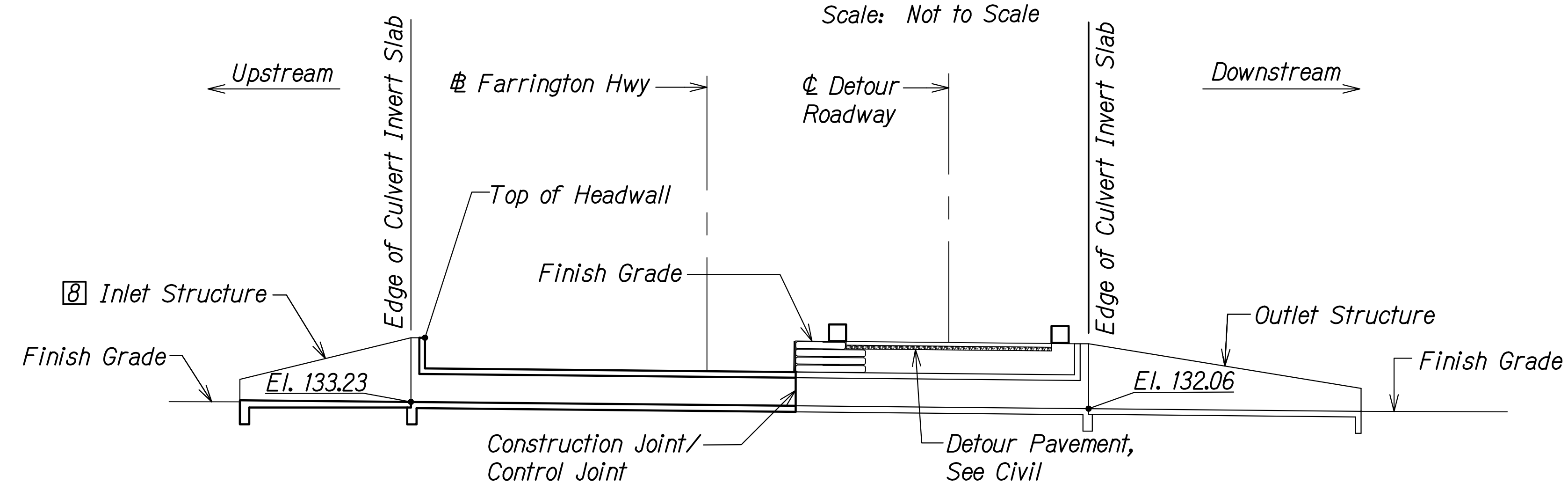
CONSTRUCTION STAGE 4

8 Construct upstream end of culvert and inlet structure.
 For Traffic Control Plan - Phase 2, see Sheet TC-28, 2

LAYOUT PLAN
 Scale: Not to Scale



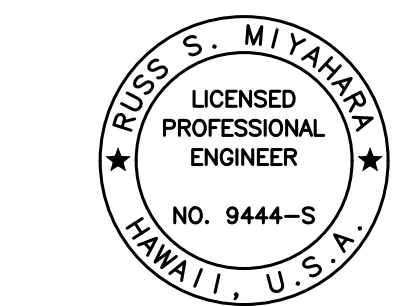
SECTION AT STA 33+50.63
 Scale: Not to Scale



SECTION AT STA 33+71.92
 Scale: Not to Scale

SURVEY PLOTTED BY	DATE
DRAWN BY	
DESIGNED BY	
QUANTITIES BY	
CHECKED BY	
ORIGINAL PLAN	
NOTE BOOK	
No.	

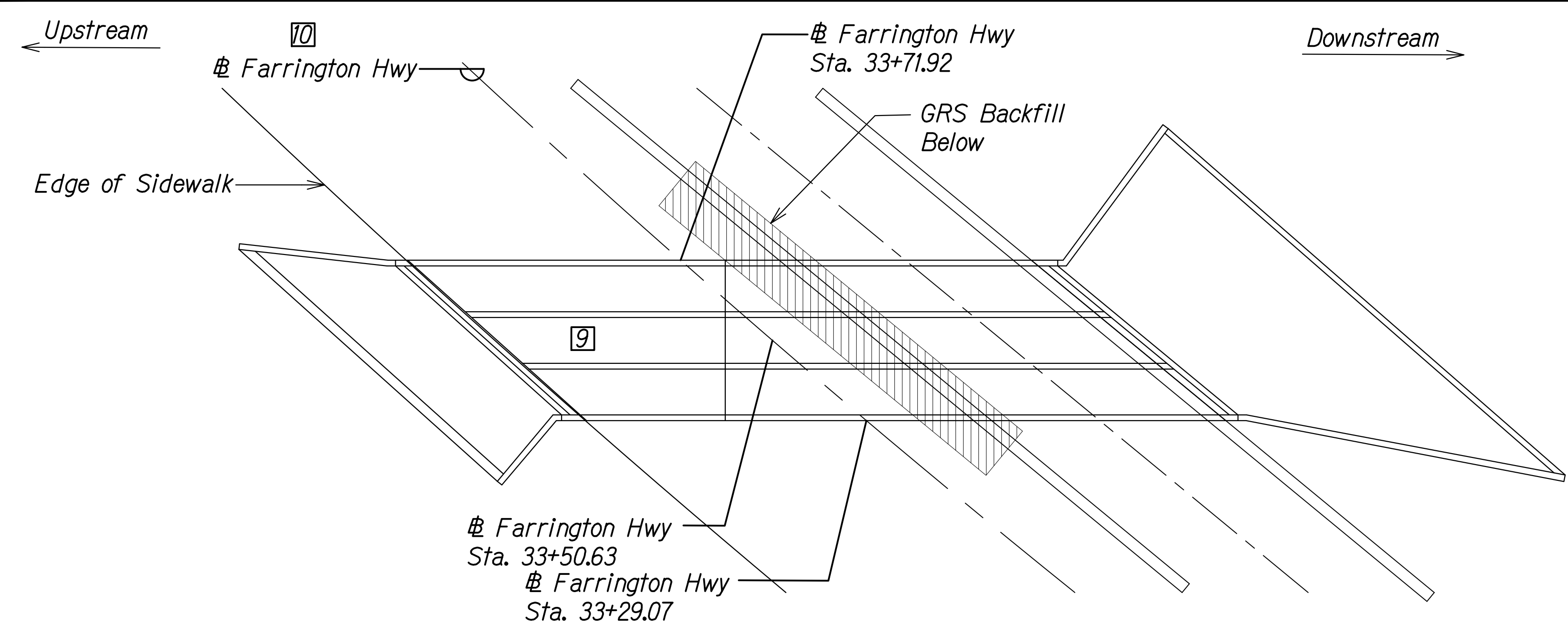
DRAWING NAME: Z:\100 ONGOING\20-013-FARR HWY KAPOLEI GC ID ET WIP-EMTC\01 CAD\06-06-21 ADD1 DELTA2\HWY3-SC0218-HUNE CONSTR-SEC ADD1.DWG PLOT TIME: 06-06-22, 4:07 PM



THIS WORK WAS PREPARED BY ME OR UNDER MY SUPERVISION AND CONSTRUCTION OF THIS PROJECT WILL BE UNDER MY OBSERVATION.
 Signature: *Rugs S. Miyahara*
 April 30, 2024
 EXPIRATION DATE OF THE LICENSE

06/08/22	2	Revised Note
DATE		REVISION
STATE OF HAWAII DEPARTMENT OF TRANSPORTATION HIGHWAYS DIVISION Hunehune Gulch Box Culvert Construction Sequence FARRINGTON HIGHWAY WIDENING Kapolei Golf Course Road to Fort Weaver Road Project No. 7101A-01-20		
Scale: As Shown		Date: Apr. 2022
SHEET No. SC221 OF 23 SHEETS		

FED. ROAD DIST. NO.	STATE	PROJ. NO.	FISCAL YEAR	SHEET NO.	TOTAL SHEETS
HAWAII	HAW.	7101A-01-20	2021	ADD. 497	



CONSTRUCTION STAGE 5

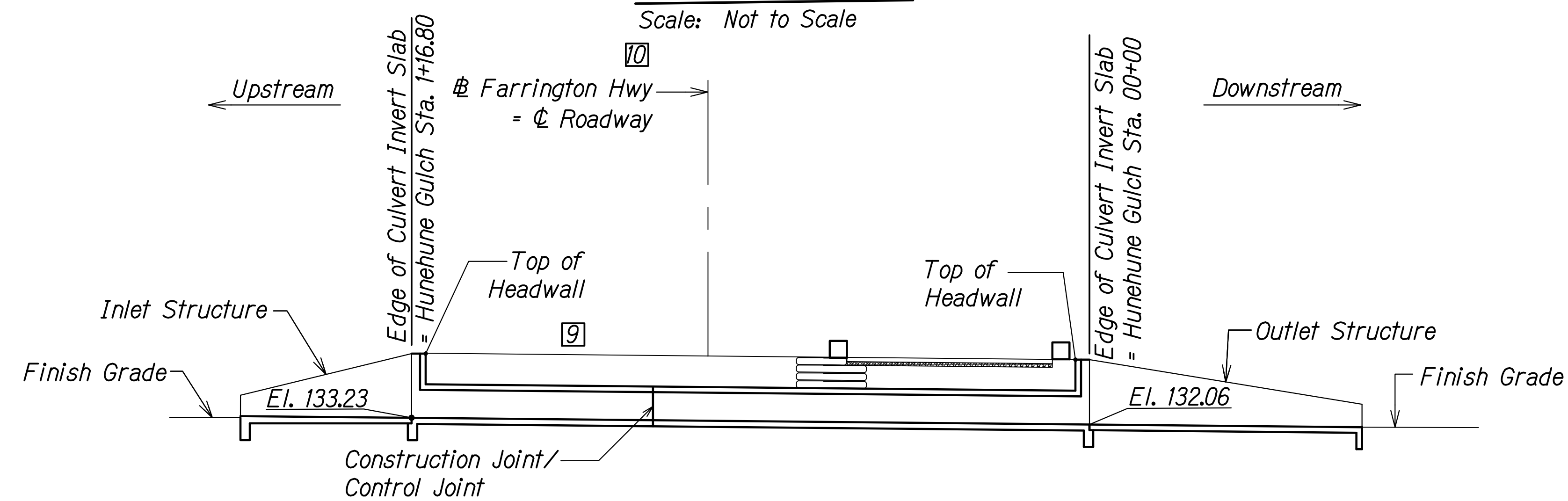
9 Backfill remainder of culvert up to finish grade.

10 Construct upstream side of final roadway.



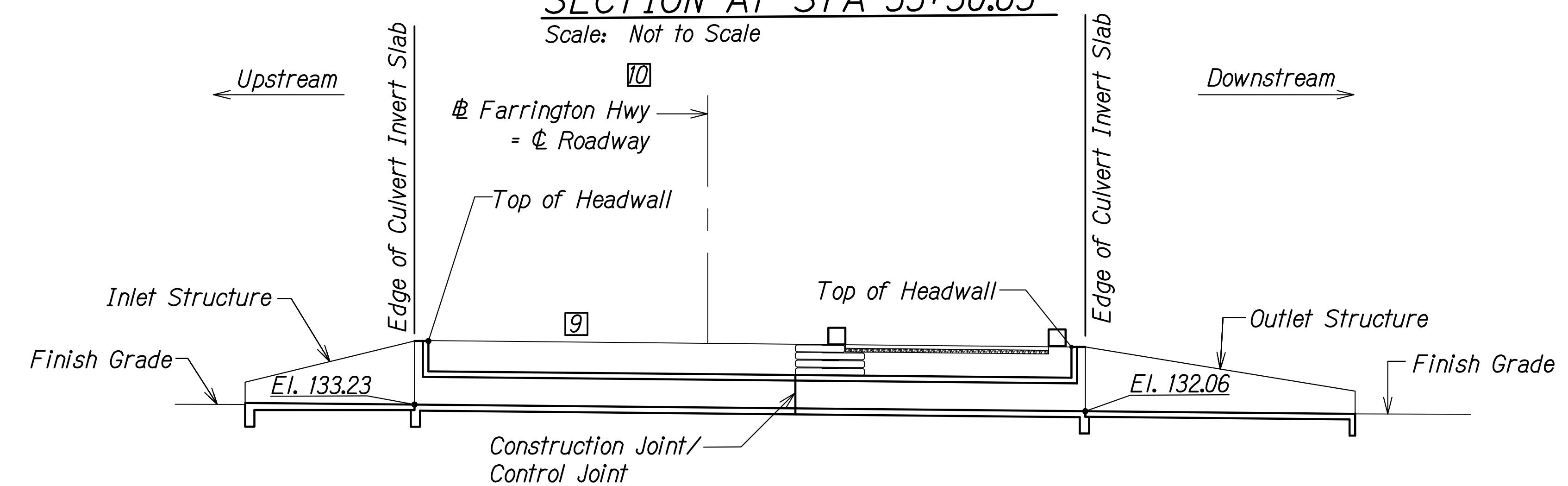
LAYOUT PLAN

Scale: Not to Scale



SECTION AT STA 33+50.63

Scale: Not to Scale

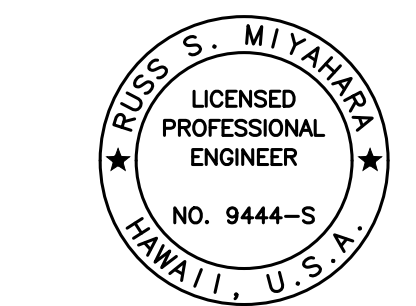


SECTION AT STA 33+71.92

Scale: Not to Scale

SURVEY PLOTTED BY	DATE
DRAWN BY	
DESIGNED BY	
QUANTITIES BY	
CHECKED BY	
ORIGINAL PLAN	
NOTE BOOK	
No.	

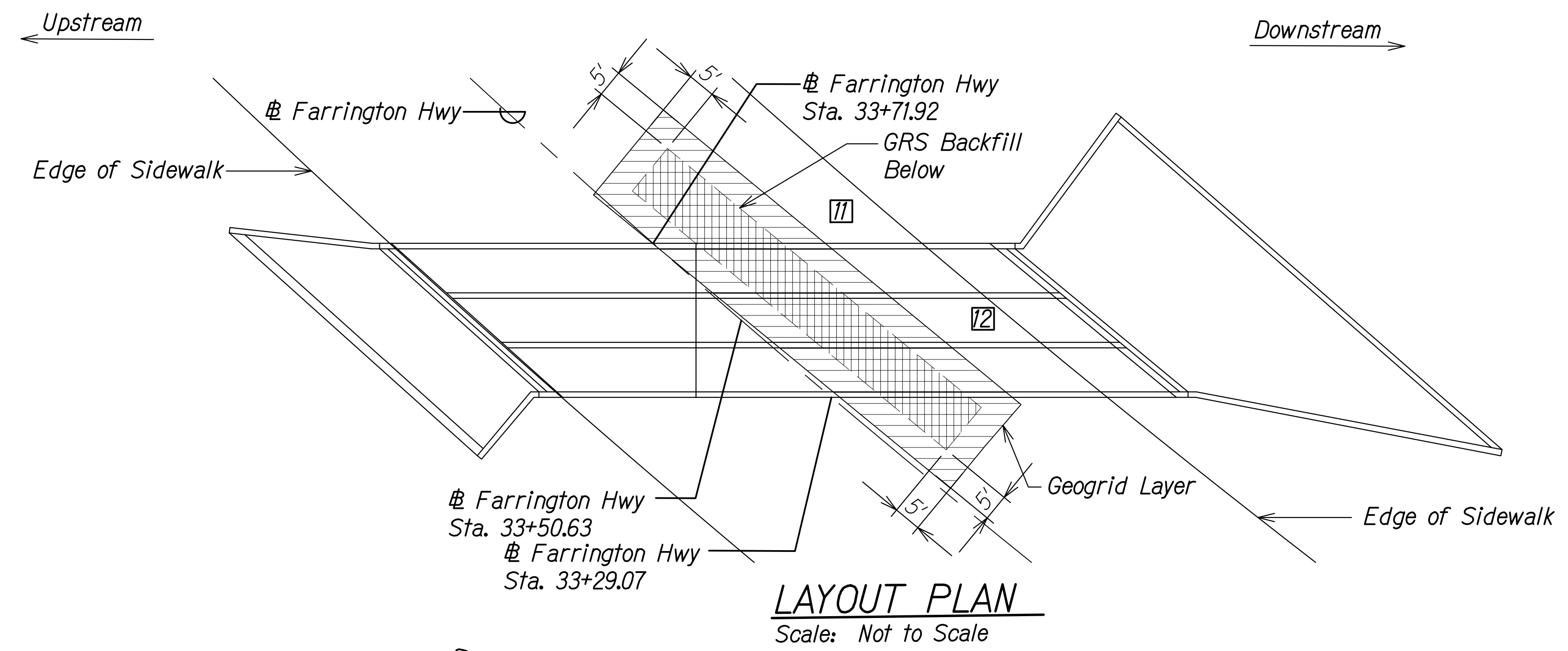
DRAWING NAME: Z:\100 ONGOING\20-013-FARR HWY KAPOLEI GC ID ET WIP-EMTC\01 CAD\06-06-21 ADD1 DELTA2\HWY3-SC0218-HUNE CONSTR-SEC ADD1.DWG PLOT TIME: 06-06-22, 4:07 PM



THIS WORK WAS PREPARED BY ME OR UNDER MY SUPERVISION AND CONSTRUCTION OF THIS PROJECT WILL BE UNDER MY OBSERVATION.
 Signature: *Rugs S. Miyahara*
 April 30, 2024
 EXPIRATION DATE OF THE LICENSE

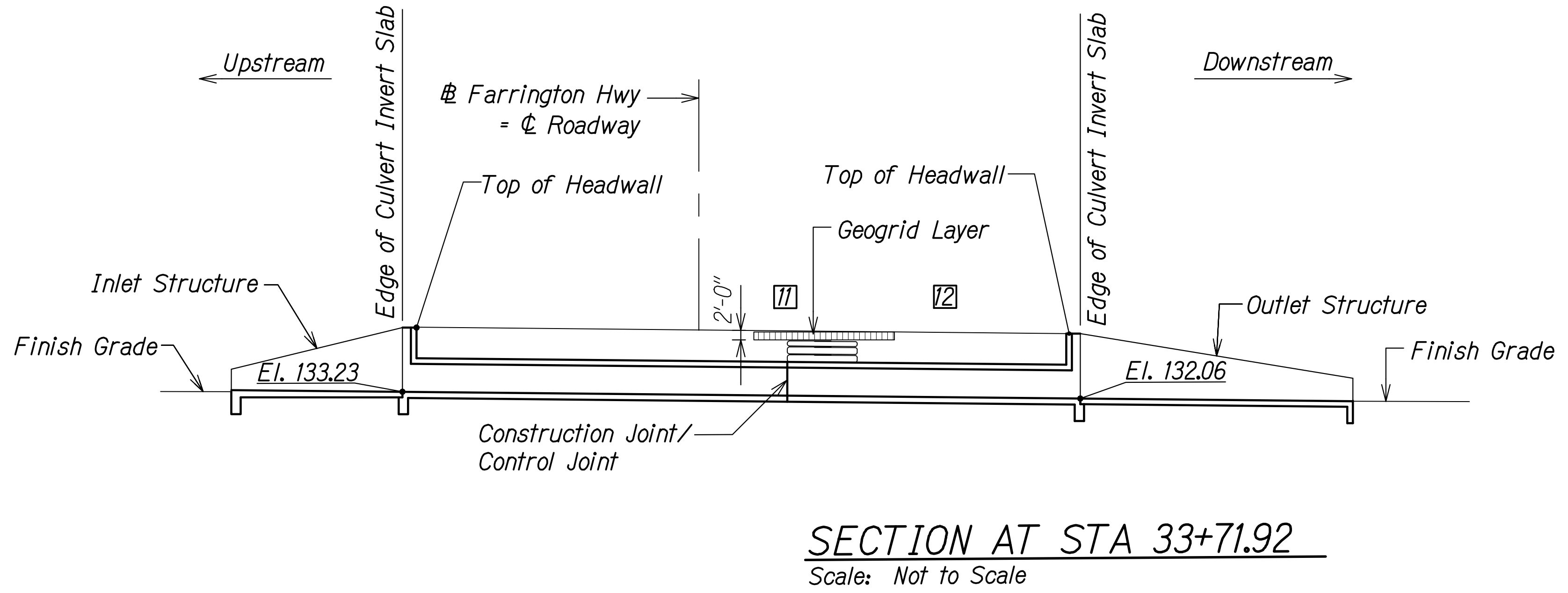
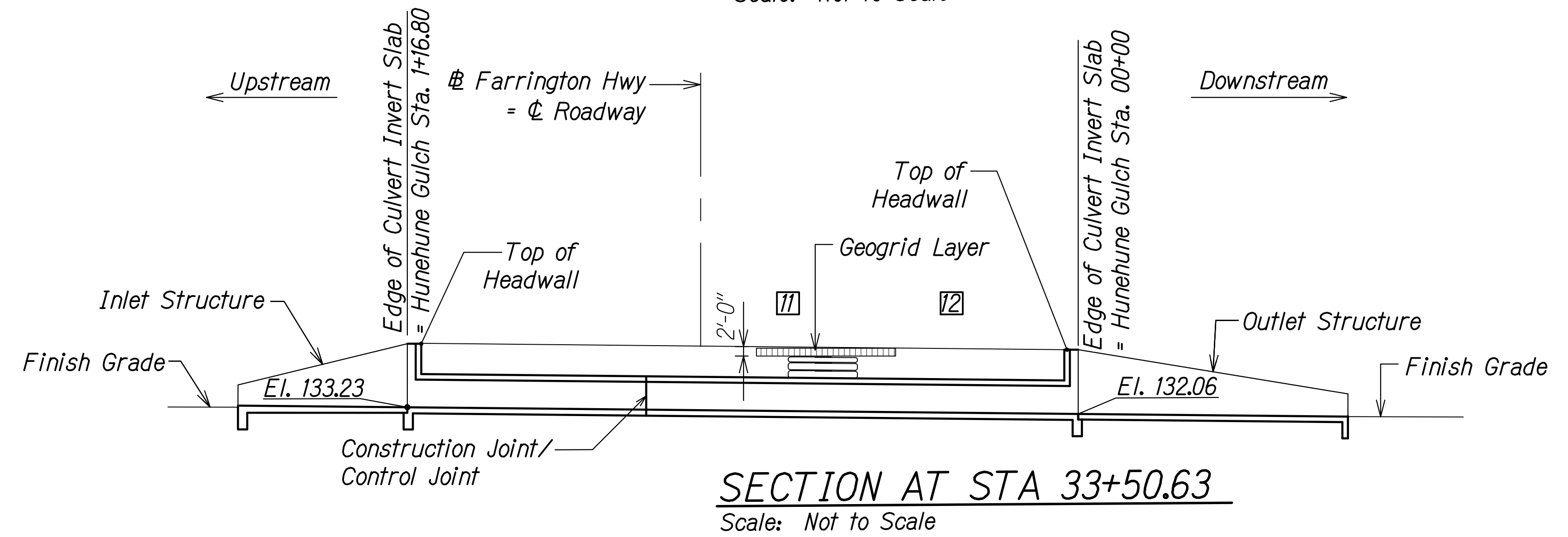
06/08/22	2	Revised Note
DATE	REVISION	
STATE OF HAWAII DEPARTMENT OF TRANSPORTATION HIGHWAYS DIVISION Hunehune Gulch Box Culvert Construction Sequence FARRINGTON HIGHWAY WIDENING Kapolei Golf Course Road to Fort Weaver Road Project No. 7101A-01-20		
Scale: As Shown	Date: Apr. 2022	
SHEET No. SC2.22 OF 23 SHEETS		

FED. ROAD DIST. NO.	STATE	PROJ. NO.	FISCAL YEAR	SHEET NO.	TOTAL SHEETS
HAWAII	HAW.	7101A-01-20	2021	ADD. 498	



CONSTRUCTION STAGE 6

- 11 Remove shotcrete facing from GRS vertical backfill wall. Remove top 2' of GRS backfill and install a geogrid layer 5' beyond extents of GRS backfill.
- 12 Construct downstream side of final roadway.



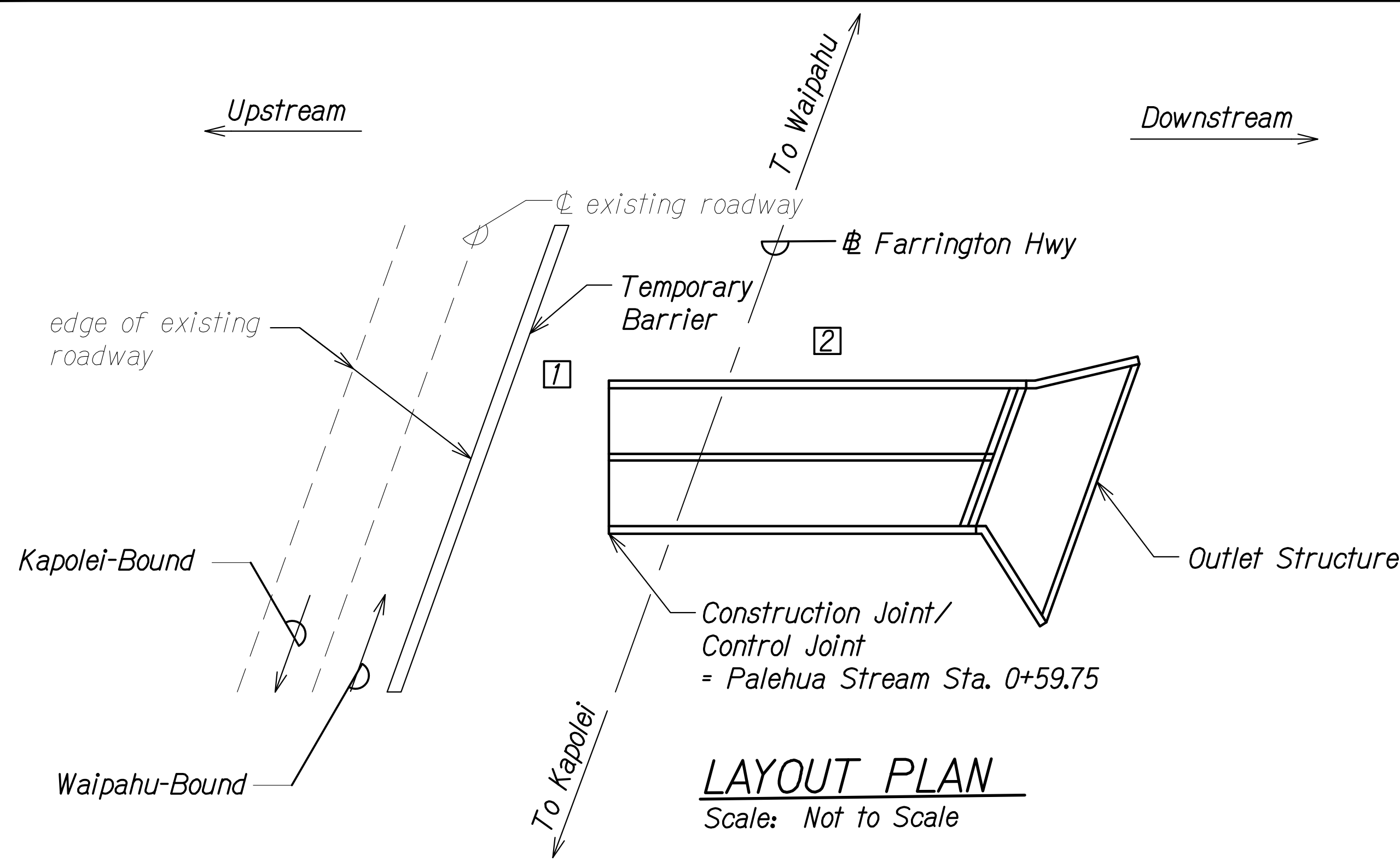
SURVEY PLOTTED BY	DATE
DRAWN BY	
DESIGNED BY	
QUANTITIES BY	
CHECKED BY	
ORIGINAL PLAN	No.

DRAWING NAME: Z:\00_DWG\03\20-013-FARR HWY KAPOLEI GE. ID: ET WAP-BRMC\01 CAD\06-06-21 ADD1 DELIAG\THMS-SC0218-HUNE CONSTR-SEO ADD.LWG PLOT TIME: 06-06-22 4:03 PM

THIS WORK WAS PREPARED BY ME OR UNDER MY SUPERVISION AND CONSTRUCTION OF THIS PROJECT WILL BE UNDER MY OBSERVATION.
 SIGNATURE: *Russ S. Miyahara* EXPIRATION DATE OF THE LICENSE: April 30, 2024

06/08/22	2	Revised Note
DATE	REVISION	
STATE OF HAWAII DEPARTMENT OF TRANSPORTATION HIGHWAYS DIVISION Hunehune Gulch Box Culvert Construction Sequence FARRINGTON HIGHWAY WIDENING Kapolei Golf Course Road to Fort Weaver Road Project No. 7101A-01-20		
Scale: As Shown	Date: Apr. 2022	
SHEET No. SC2.23 OF 23 SHEETS		

FED. ROAD DIST. NO.	STATE	PROJ. NO.	FISCAL YEAR	SHEET NO.	TOTAL SHEETS
HAWAII	HAW.	7101A-01-20	2021	ADD. 516	



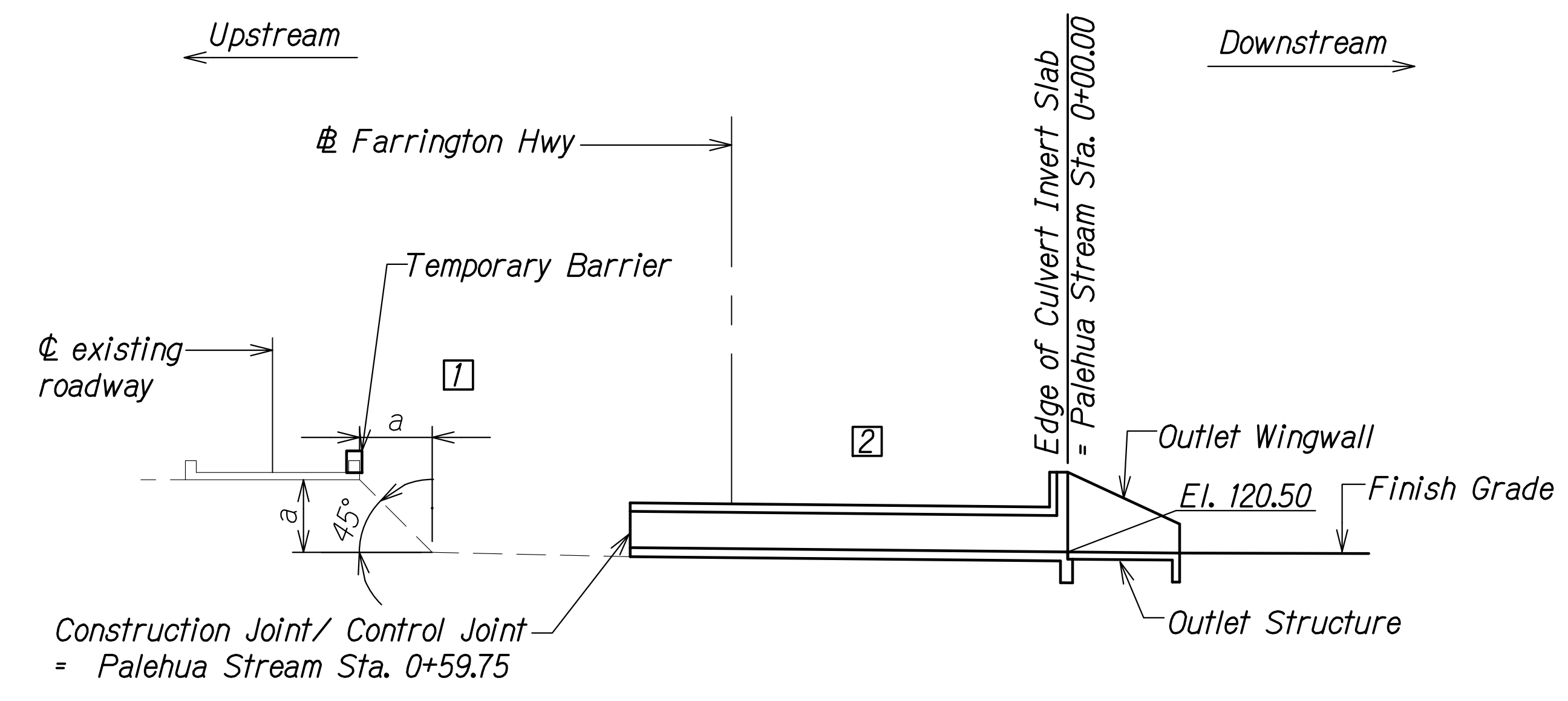
LAYOUT PLAN
Scale: Not to Scale

CONSTRUCTION STAGE 1

- 1 Excavate and cut grade for construction of downstream end of culvert. Temporarily shore existing roadway, as required.
For extent and location of temporary barrier along existing roadway, see Traffic Control Plan - Phase 1, Sheet TC-23.
- 2 Construct downstream end of culvert and outlet structure.

Notes:

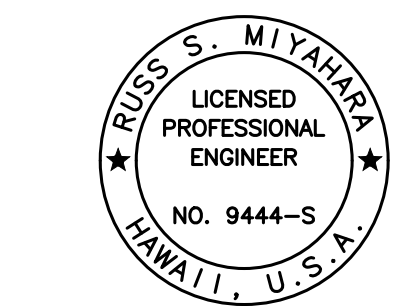
The Contractor shall submit working drawings for the limits of excavation and demolition to the Engineer for approval. The working drawings shall show all proposed bracing and shoring as needed to protect the existing roadway and detour road. Demolition and excavation shall be coordinated with any temporary shoring, detour road, and construction of the new culvert.



SECTION AT BOX CULVERT
Scale: Not to Scale

ORIGINAL PLAN	SURVEY PLOTTED BY	DATE
NOTE BOOK	DRAWN BY	
No. _____	DESIGNED BY	
	QUANTITIES BY	
	CHECKED BY	

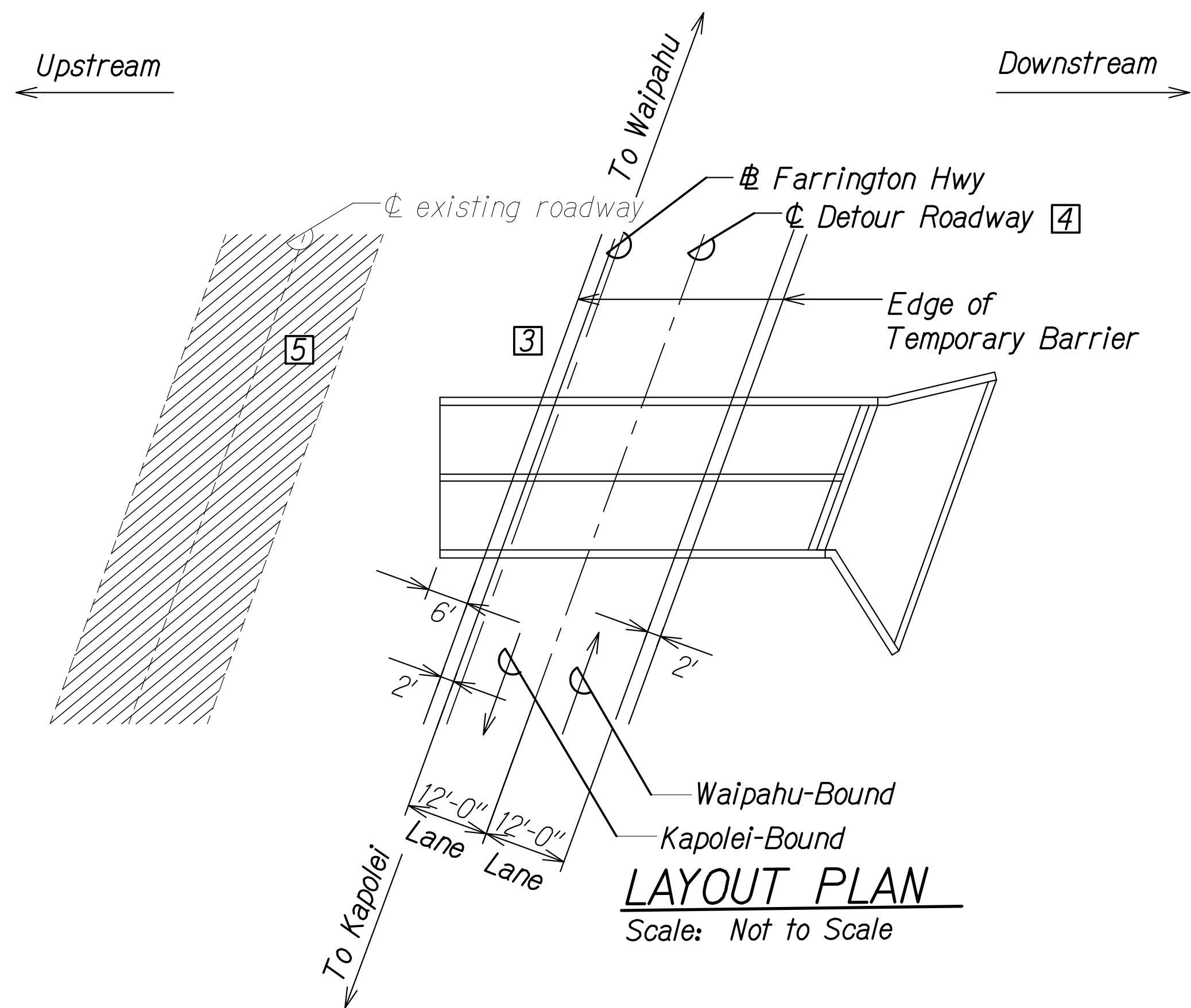
DRAWING NAME: Z:\00 ONGOING\20-013-FARR-HWY-KAPOLEI-GC-ID-ET-WR-EMTC\01-GAD\06-06-21-ADD1-DELTA2\HWY3-SC0318-PALE-CONSTR-SEG-ADD1.DWG PLOT TIME: 06-06-22 4:12 PM



THIS WORK WAS PREPARED BY ME OR UNDER MY SUPERVISION AND CONSTRUCTION OF THIS PROJECT WILL BE UNDER MY OBSERVATION.
Rugo S. Miyakawa
SIGNATURE April 30, 2024
EXPIRATION DATE OF THE LICENSE

06/08/22	2	Revised Note
DATE	REVISION	
STATE OF HAWAII DEPARTMENT OF TRANSPORTATION HIGHWAYS DIVISION Palehua Stream Box Culvert Construction Sequence FARRINGTON HIGHWAY WIDENING Kapolei Golf Course Road to Fort Weaver Road Project No. 7101A-01-20		
Scale: As Shown	Date: Apr. 2022	
SHEET No. SC3.18 OF 21 SHEETS		

FED. ROAD DIST. NO.	STATE	PROJ. NO.	FISCAL YEAR	SHEET NO.	TOTAL SHEETS
HAWAII	HAW.	7101A-01-20	2021	ADD. 517	



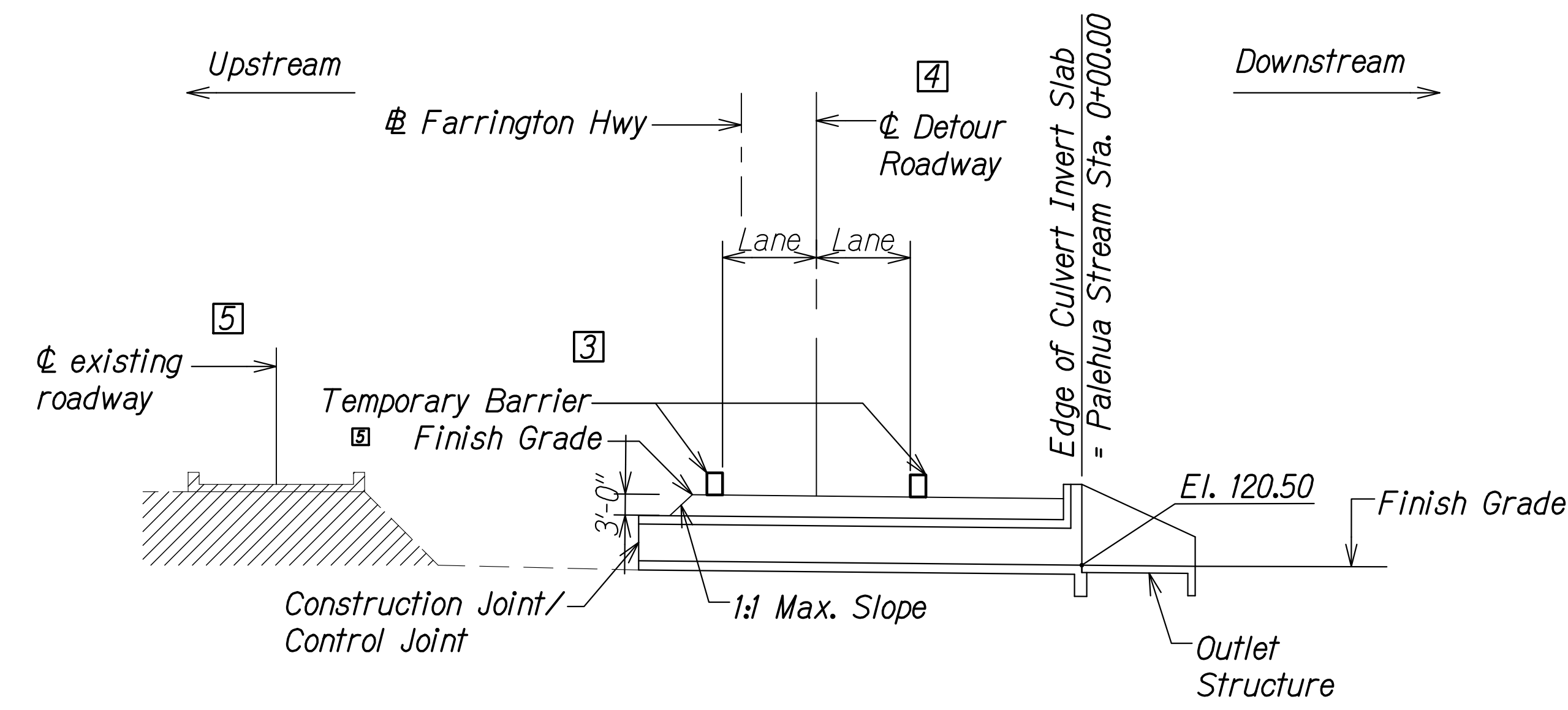
LAYOUT PLAN
Scale: Not to Scale

CONSTRUCTION STAGE 2

- 3 Backfill constructed portion of culvert to finish grade up to construction joint.
- 4 Construct roadway detour. See Traffic Control Plan - Phase 2, Sheet TC-27. For extent and location of temporary barriers along detour roadway, see Traffic Control Plan - Phase 2, Sheet TC-27. Open roadway to detour.
- 5 Demolish existing roadway structure.

Notes:

The Contractor shall submit working drawings for the limits of excavation and demolition to the Engineer for approval. The working drawings shall show all proposed bracing and shoring as needed to protect the existing roadway and detour road. Demolition and excavation shall be coordinated with any temporary shoring, detour road, and construction of the new culvert.



SECTION AT BOX CULVERT
Scale: Not to Scale

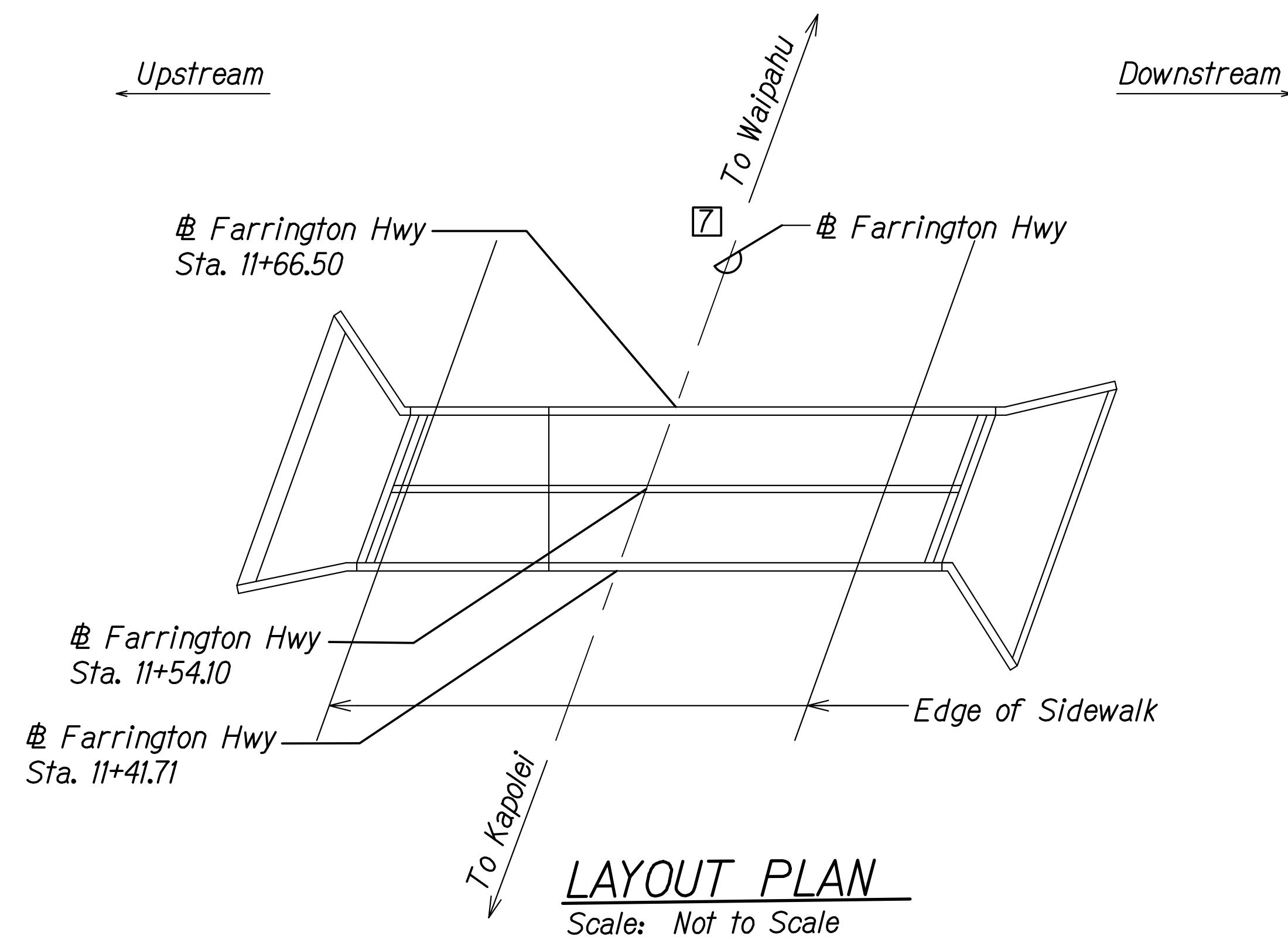
SURVEY PLOTTED BY	DATE
DRAWN BY	
DESIGNED BY	
QUANTITIES BY	
CHECKED BY	
ORIGINAL PLAN	
NOTE BOOK	
No.	

DRAWING NAME: Z:\00_ONGOING\20-013-FARR-HWY-KAPOLEI-GC-10-ET-WP-RMTC\01-GAD\06-06-21-ADD1-DELTA2\HWY3-SC0318-PALE-CONSTR-SEG-ADD1.DWG PLOT TIME: 06-06-22 4:12 PM

06/08/22	2	Revised Note
DATE	REVISION	
STATE OF HAWAII DEPARTMENT OF TRANSPORTATION HIGHWAYS DIVISION Palehua Stream Box Culvert Construction Sequence FARRINGTON HIGHWAY WIDENING Kapolei Golf Course Road to Fort Weaver Road Project No. 7101A-01-20		
Scale: As Shown	Date: Apr. 2022	
SHEET No. SC3.19 OF 21 SHEETS		

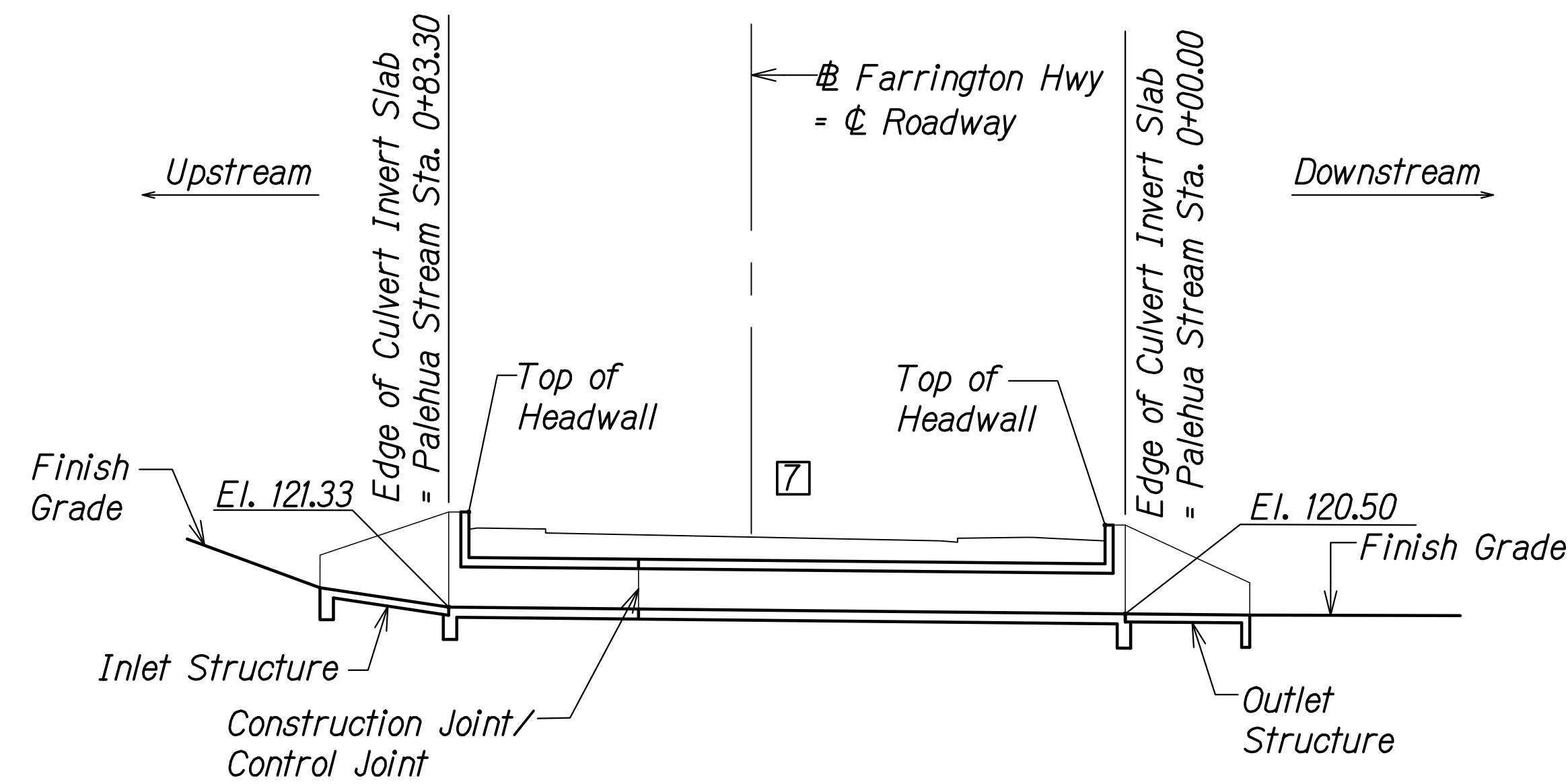
THIS WORK WAS PREPARED BY ME OR UNDER MY SUPERVISION AND CONSTRUCTION OF THIS PROJECT WILL BE UNDER MY OBSERVATION.
 SIGNATURE: *Rugo S. Miyahara* EXPIRATION DATE: April 30, 2024
 OF THE LICENSE

FED. ROAD DIST. NO.	STATE	PROJ. NO.	FISCAL YEAR	SHEET NO.	TOTAL SHEETS
HAWAII	HAW.	7101A-01-20	2021	ADD. 519	



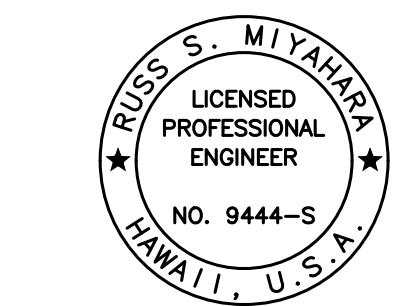
CONSTRUCTION STAGE 4

7 Backfill remainder of culvert up to finish grade.
Construct final roadway. ☁️ 2



ORIGINAL PLAN	DATE
DRAWN BY	
DESIGNED BY	
QUANTITIES BY	
CHECKED BY	
No.	

DRAWING NAME: Z:\100\ONGOING\20-013-FARR-HWY-KAPOLEI-GC-10-ET-WR-EMTC\01-GAD\06-06-21-ADD1-DELTA2\HWY3-SC0318-PALE-CONSTR-SEG-ADD1.DWG PLOT TIME: 06-06-22, 4:13 PM



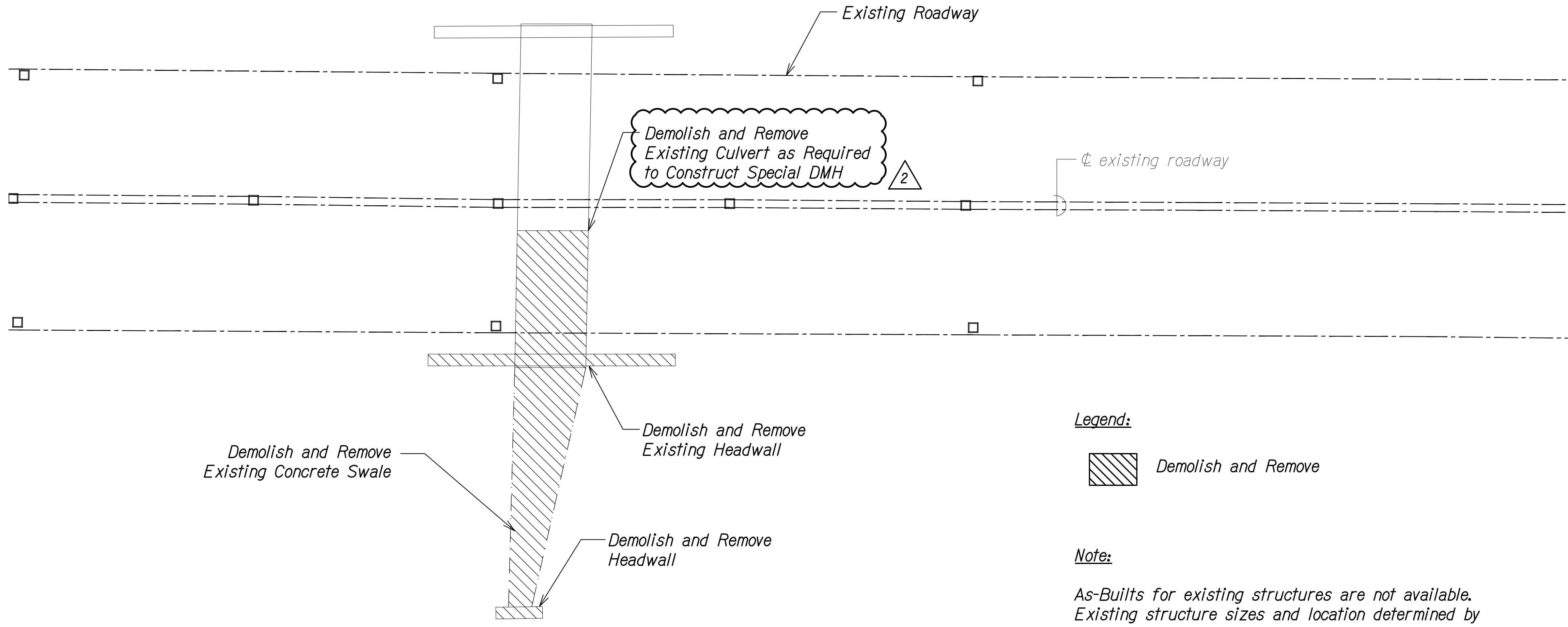
THIS WORK WAS PREPARED BY ME OR UNDER MY SUPERVISION AND CONSTRUCTION OF THIS PROJECT WILL BE UNDER MY OBSERVATION.
 Signature: *Rugo S. Miyahara*
 April 30, 2024
 EXPIRATION DATE OF THE LICENSE

06/08/22	2	Revised Note
DATE	REVISION	
STATE OF HAWAII DEPARTMENT OF TRANSPORTATION HIGHWAYS DIVISION Palehua Stream Box Culvert Construction Sequence FARRINGTON HIGHWAY WIDENING Kapolei Golf Course Road to Fort Weaver Road Project No. 7101A-01-20		
Scale: As Shown	Date: Apr. 2022	
SHEET No. SC321 OF 21 SHEETS		

FED. ROAD DIST. NO.	STATE	PROJ. NO.	FISCAL YEAR	SHEET NO.	TOTAL SHEETS
HAWAII	HAW.	7101A-01-20	2021	ADD. 527	

← To Kapolei

To Waipahu →



Legend:

Demolish and Remove

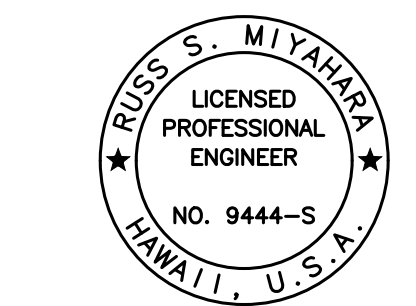
Note:

As-Builts for existing structures are not available. Existing structure sizes and location determined by Topo and Field Measurements. Contractors shall inspect structures prior to bid.

42-INCH CULVERT DEMOLITION PLAN A
 Scale: 3/16" = 1'-0" SC4.8 SC4.8

SURVEY PLOTTED BY	DATE
DRAWN BY	
DESIGNED BY	
QUANTITIES BY	
CHECKED BY	
ORIGINAL PLAN	
NOTE BOOK	
No.	

DRAWING NAME: Z:\00 ONGOING\20-013-FARR-HWY-KAPOLEI GC ID: FT-WR-EMTC\01-GAD\06-06-21-ADD1-DELTA2\HWY3-SC4.8 DEMO-ADD1.DWG PLOT TIME: 06-06-22 4:21 PM



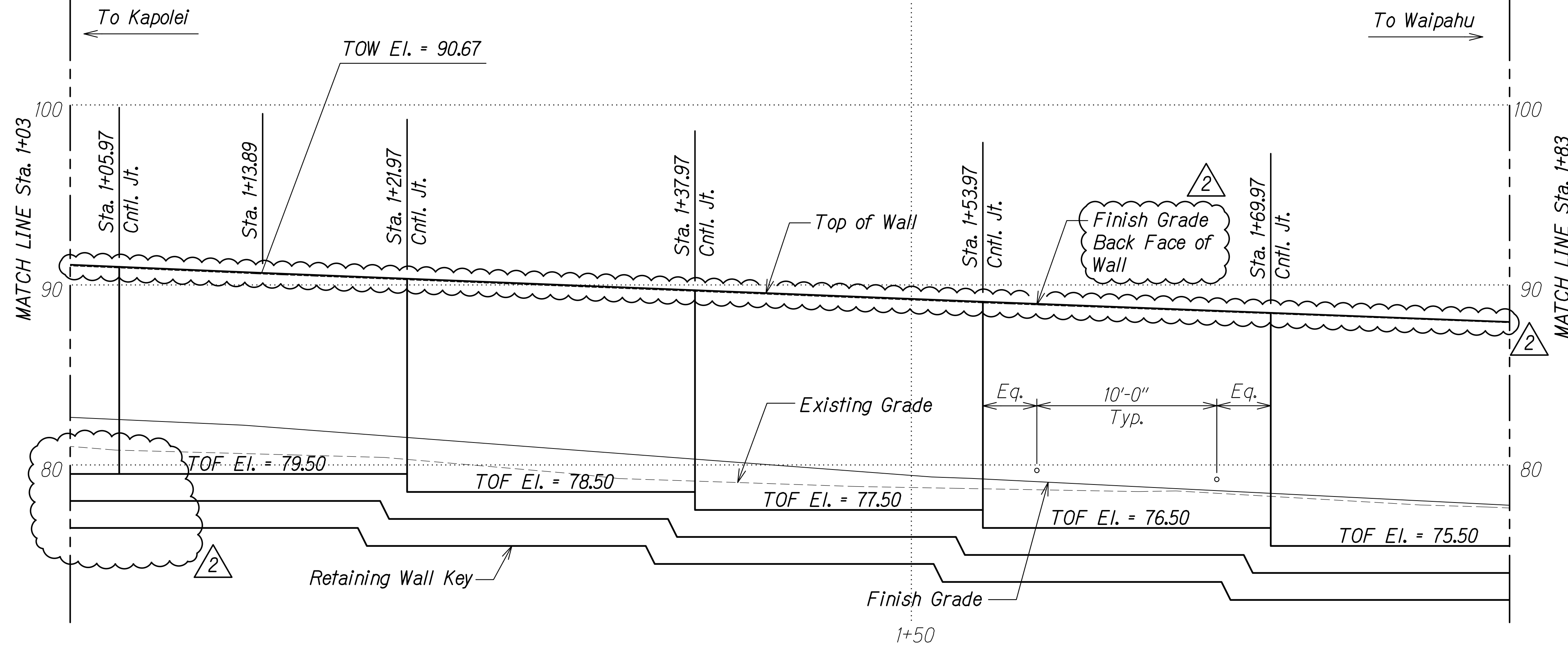
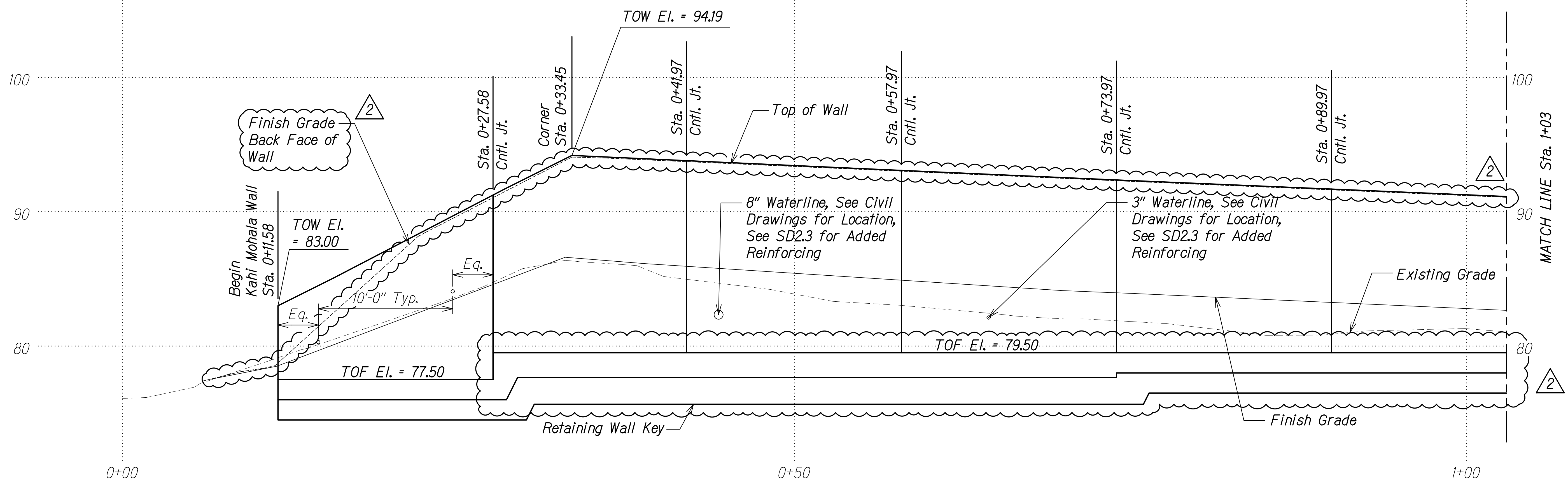
THIS WORK WAS PREPARED BY ME OR UNDER MY SUPERVISION AND CONSTRUCTION OF THIS PROJECT WILL BE UNDER MY OBSERVATION.
 Signature: *Rugo S. Miyahara*
 April 30, 2024
 EXPIRATION DATE OF THE LICENSE

06/08/22	2	Revised Detail
DATE	REVISION	
STATE OF HAWAII DEPARTMENT OF TRANSPORTATION HIGHWAYS DIVISION 42-Inch Culvert Demolition Plan FARRINGTON HIGHWAY WIDENING Kapolei Golf Course Road to Fort Weaver Road Project No. 7101A-01-20		
Scale: As Shown	Date: Apr. 2022	
SHEET No. SC4.8 OF 8 SHEETS		

To Kapolei

To Waipahu

FED. ROAD DIST. NO.	STATE	PROJ. NO.	FISCAL YEAR	SHEET NO.	TOTAL SHEETS
HAWAII	HAW.	7101A-01-20	2021	ADD. 534	



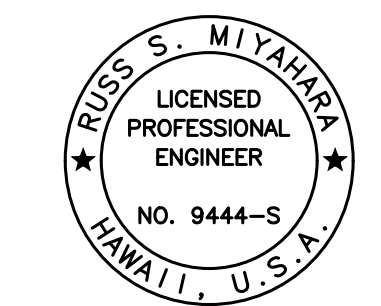
LEGEND:
 Cntl. Jt. Control Joint in Wall
 TOF Top of Footing
 TOW Top of Wall

NOTE:
 1. For Finish Grade elevation, see Civil drawings.

SURVEY PLOTTED BY	DATE
DRAWN BY	
DESIGNED BY	
QUANTITIES BY	
CHECKED BY	

DRAWING NAME: Z:\100\CONDOINGS\20-013-FARR-HWY-KAPOLEI\GC_ID_ET_WPG-BMT\01-GAD\06-08-21-ADD1-DELAZ\HW3-SD205-RETEG-WALLS-ADD-LDW\ PLOT TIME: 06-08-22, 3:45 PM

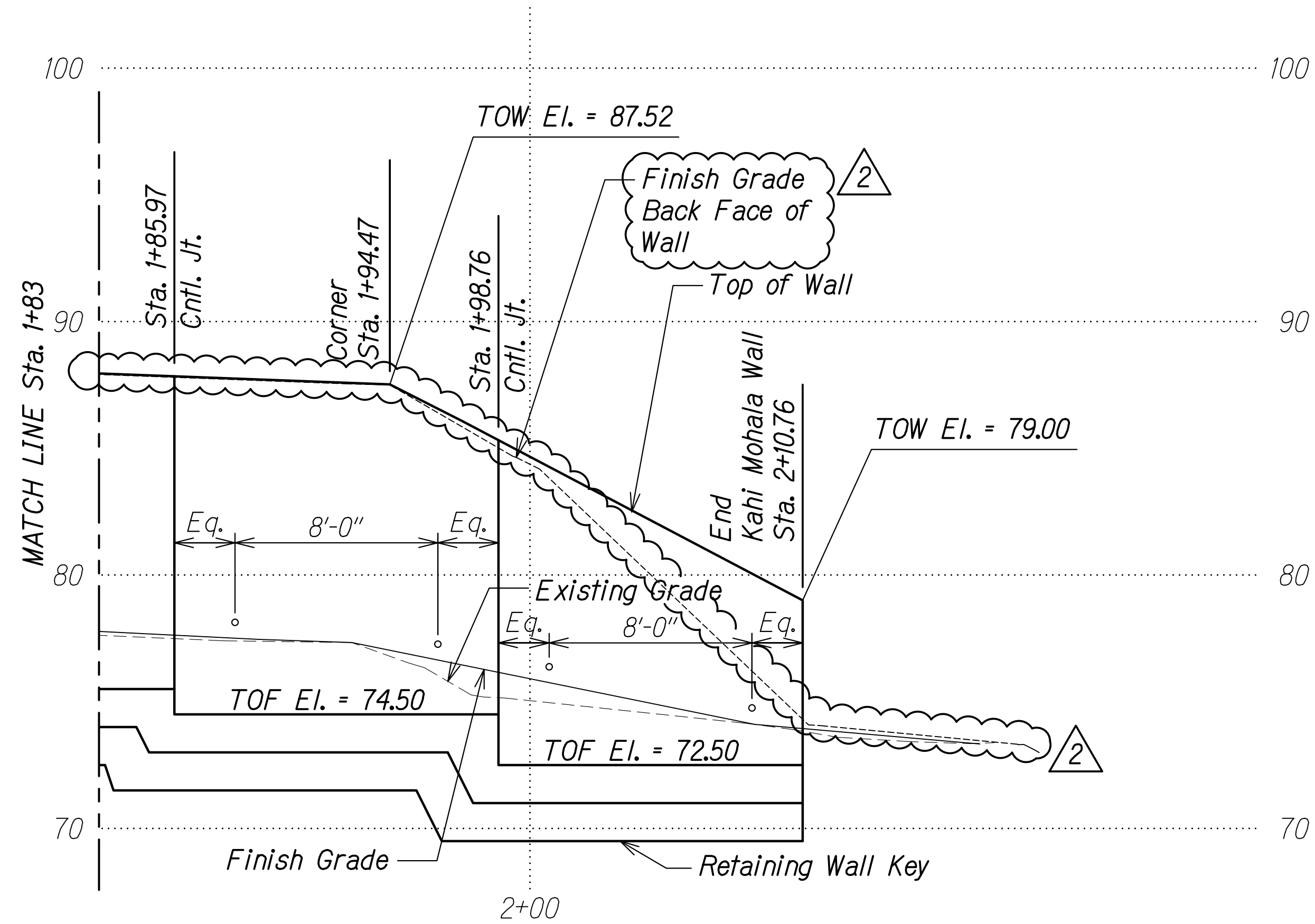
KAHI MOHALA WALL PROFILE - STA. 0+00 TO STA. 1+83
 Scale: 1/4" = 1'-0" A
SD2.5 | SD2.5



THIS WORK WAS PREPARED BY ME OR UNDER MY SUPERVISION AND CONSTRUCTION OF THIS PROJECT WILL BE UNDER MY OBSERVATION.
 Signature: *Russ S. Miyahara*
 April 30, 2024
 EXPIRATION DATE OF THE LICENSE

06/08/22	2	Revised Footing & Finish Grade Elevations
DATE	REVISION	
STATE OF HAWAII DEPARTMENT OF TRANSPORTATION HIGHWAYS DIVISION		
Kahi Mohala Wall Profile Sta. 0+00 to Sta. 1+83		
FARRINGTON HIGHWAY WIDENING Kapolei Golf Course Road to Fort Weaver Road Project No. 7101A-01-20		
Scale: As Shown	Date: Apr. 2022	
SHEET No. SD2.5 OF 6 SHEETS		

FED. ROAD DIST. NO.	STATE	PROJ. NO.	FISCAL YEAR	SHEET NO.	TOTAL SHEETS
HAWAII	HAW.	7101A-01-20	2021	ADD. 535	



KAHI MOHALA WALL PROFILE - STA. 1+83 TO STA. 2+10.76 A
 Scale: 1/4" = 1'-0" SD2.6 SD2.6

LEGEND:

- Cntl. Jt. Control Joint in Wall
- TOF Top of Footing
- TOW Top of Wall

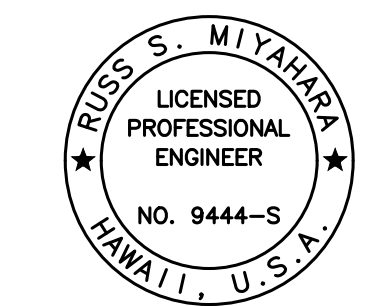
NOTE:

1. For Finish Grade elevation, see Civil drawings.

SURVEY PLOTTED BY	DATE
DRAWN BY	
DESIGNED BY	
QUANTITIES BY	
CHECKED BY	
ORIGINAL PLAN	
NOTE BOOK	
No.	

DRAWING NAME: Z:\100 ONGOING\20-013-FARR-HWY-KAPOLEI\GE.ID.IT.WP2-EMTC\01-CAD\06-08-21-ADD1-DETAILED\HWY3-SD2.6-REG-WALLS-ADD-LDWX PLOT TIME: 06-08-22, 3:45 PM

06/08/22	2 Revised Finish Grade Elevation
DATE	REVISION



THIS WORK WAS PREPARED BY ME OR UNDER MY SUPERVISION AND CONSTRUCTION OF THIS PROJECT WILL BE UNDER MY OBSERVATION.
 Signature: *Rugo S. Miyakawa*
 April 30, 2024
 EXPIRATION DATE OF THE LICENSE

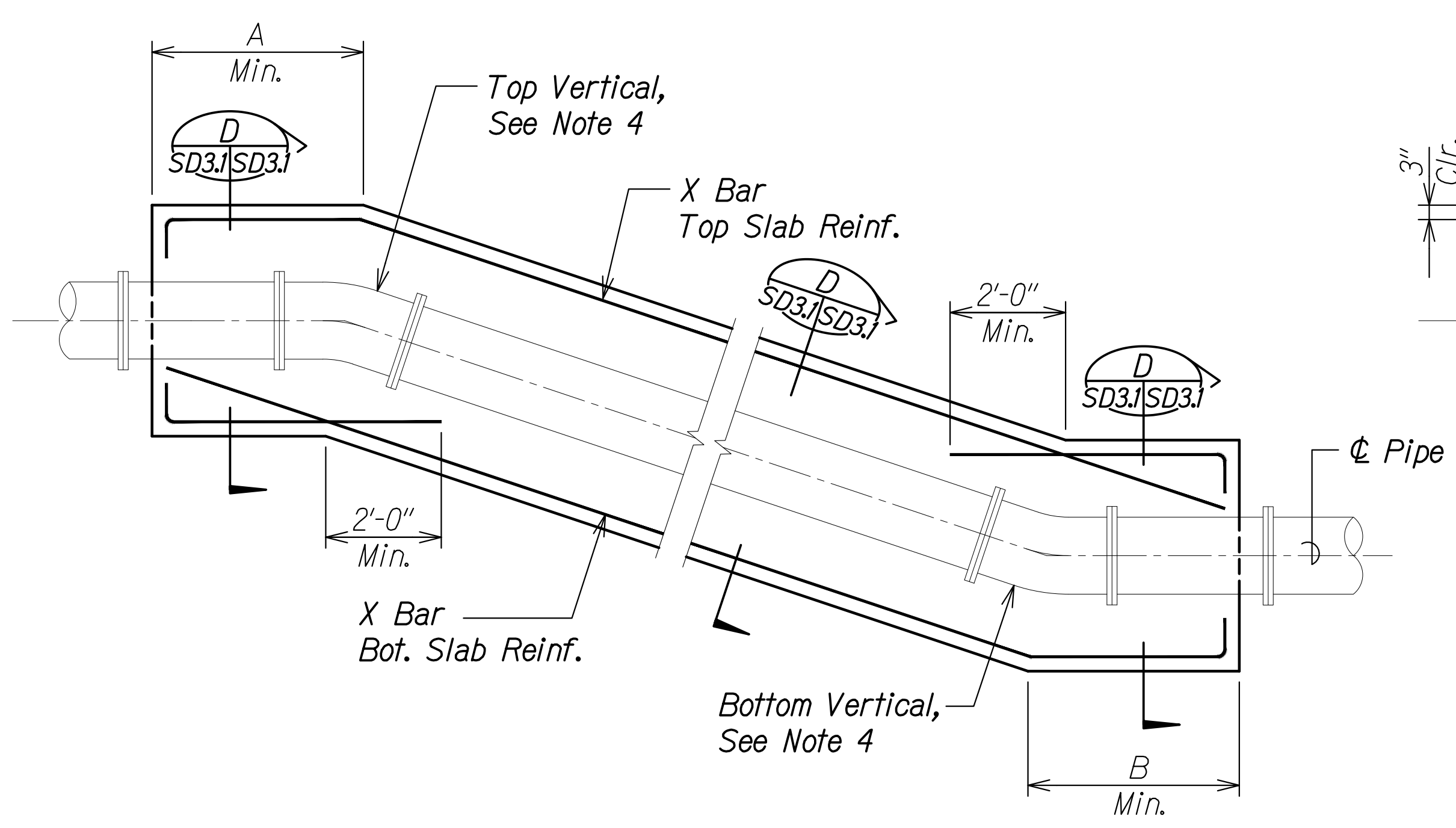
STATE OF HAWAII
DEPARTMENT OF TRANSPORTATION
 HIGHWAYS DIVISION

Kahi Mohala Wall Profile
 Sta. 1+83 to Sta. 3+75

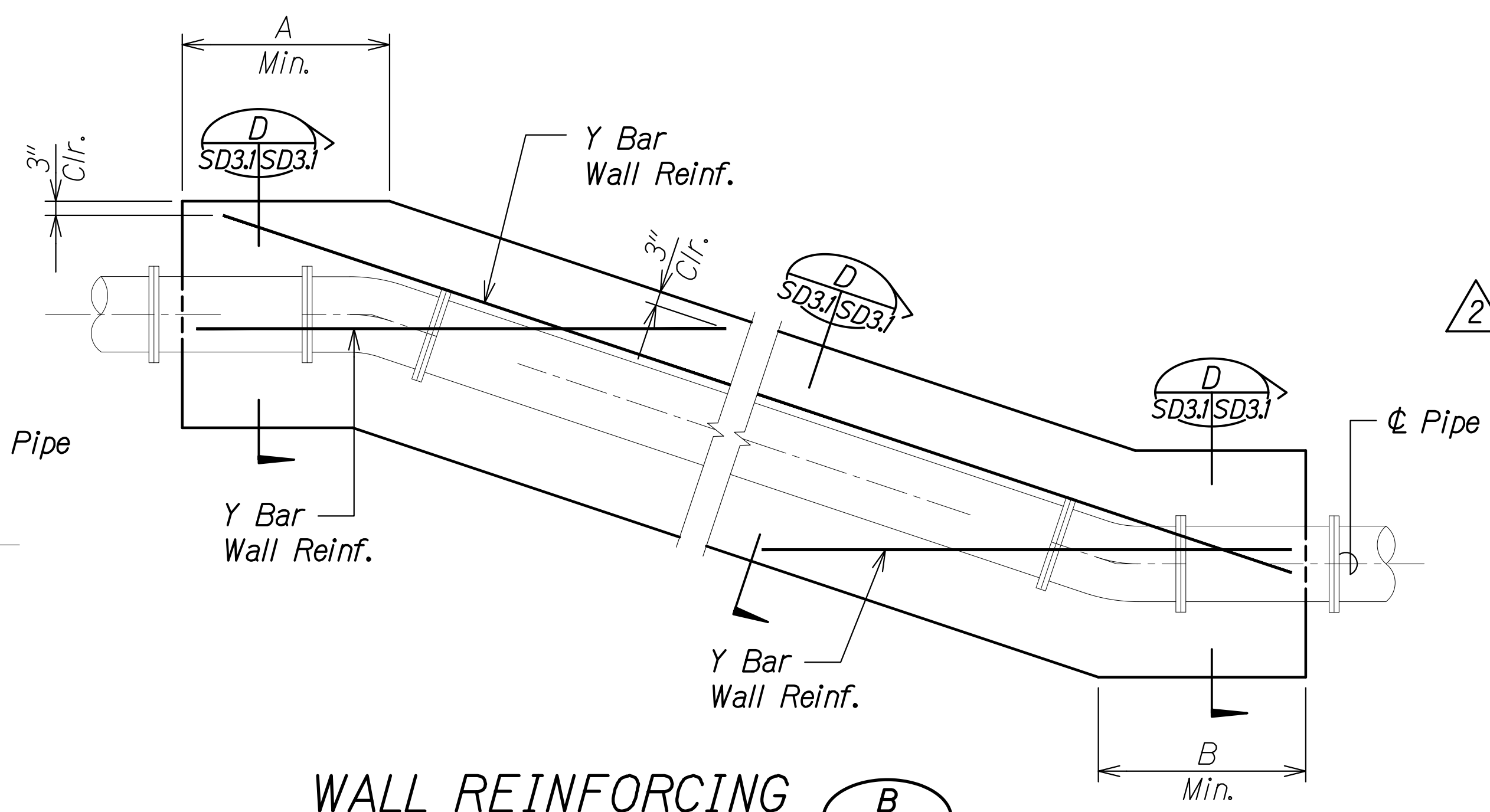
FARRINGTON HIGHWAY WIDENING
 Kapolei Golf Course Road to Fort Weaver Road
 Project No. 7101A-01-20

Scale: As Shown Date: Apr. 2022

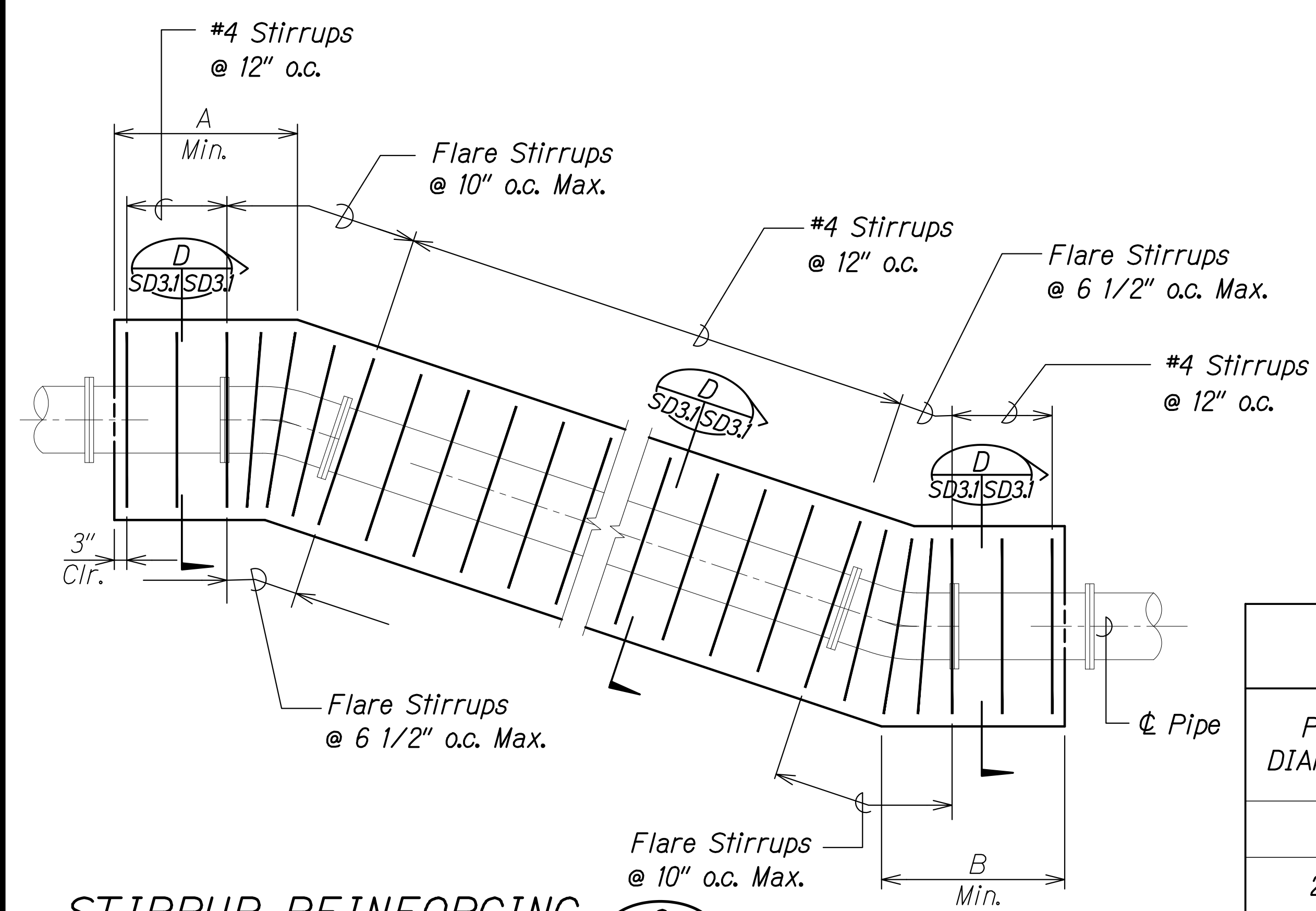
FED. ROAD DIST. NO.	STATE	PROJ. NO.	FISCAL YEAR	SHEET NO.	TOTAL SHEETS
HAWAII	HAW.	7101A-01-20	2021	ADD. 536	



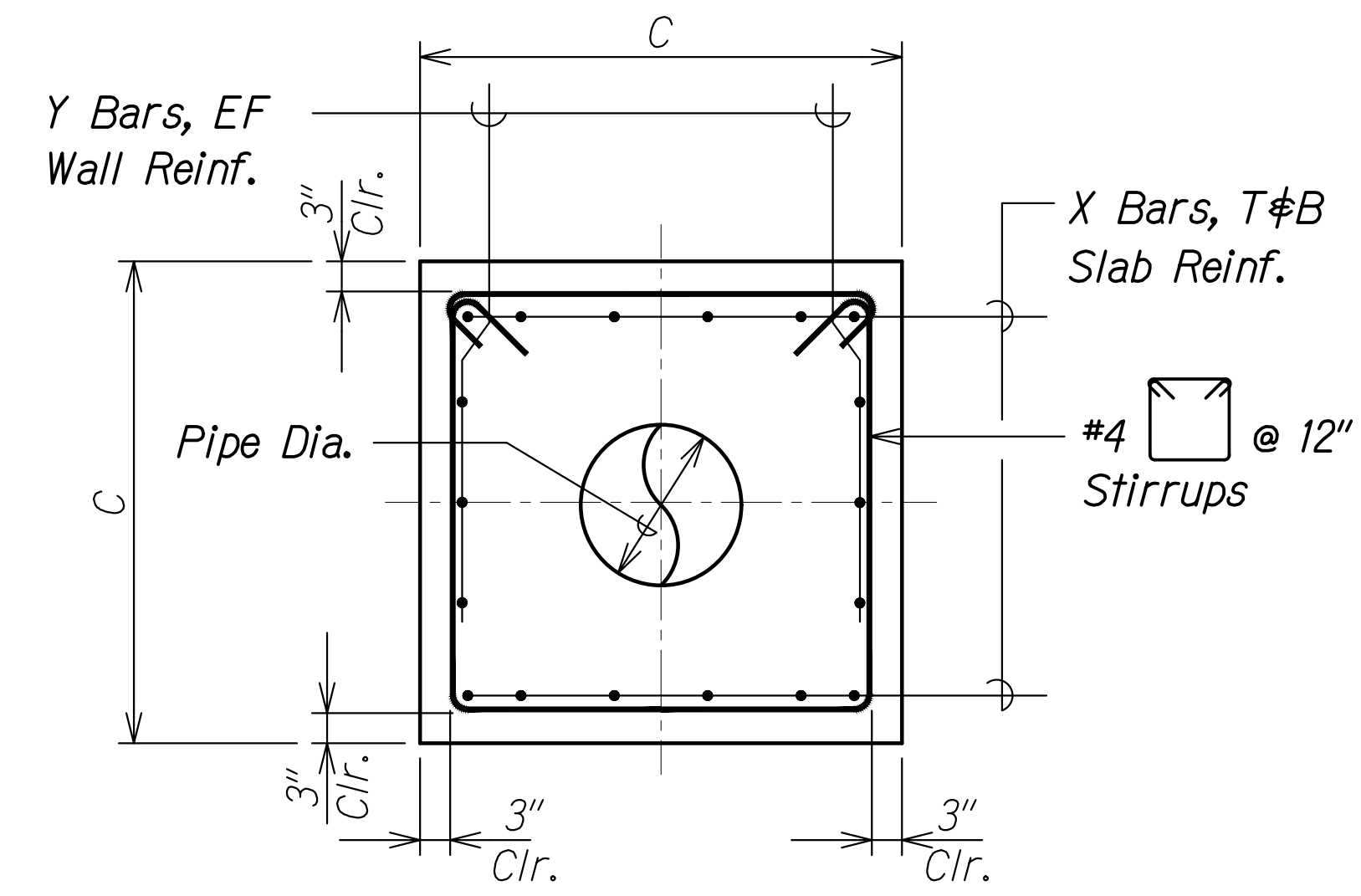
TOP AND BOTTOM SLAB REINF. A
Scale: 1/2" = 1'-0" SD3.1 | SD3.1



WALL REINFORCING B
Scale: 1/2" = 1'-0" SD3.1 | SD3.1



STIRRUP REINFORCING C
Scale: 1/2" = 1'-0" SD3.1 | SD3.1



TYPICAL VERTICAL PIPE JACKET SECTION D
Scale: 3/4" = 1'-0" SD3.1 | SD3.1

PIPE DIAMETER	DIMENSIONS			REINFORCING		REMARKS
	A	B	C	X BAR	Y BAR	
16"	9'-6"	9'-6"	3'-2"	4 - #6	#6 @ 10"	
20"	12'-6"	12'-6"	3'-6"	6 - #6	#6 @ 8"	
30"	18'-10"	18'-10"	4'-6"	7 - #7	#6 @ 6"	
36"	23'-0"	23'-0"	5'-0"	8 - #7	#6 @ 6"	
42"	27'-0"	27'-0"	5'-6"	9 - #7	#6 @ 6"	

- Notes:**
- Concrete shall develop a minimum 28-Day compressive strength of 4,000 psi, unless shown otherwise.
 - See Sheet S0.7 for reinforcement notes.
 - Pipe test pressure = 200 psi
 - Any soft soil encountered during excavation shall be removed to firm soil and replaced with compacted fill.
 - Concrete jackets shall attain full design strength prior to any pressure testing on pipes.
 - 1/8 maximum top and bottom vertical bends.
 - Location of face of jacket shall be flush with the bell for slip joints and set back from the joint for mechanical joints in accordance with the State of Hawaii, Water System Standards, 2002.

APPROVED: _____ DATE _____
 Manager and Chief Engineer, BWS
 (for work affecting BWS facilities in City/State R/W & BWS easements only)

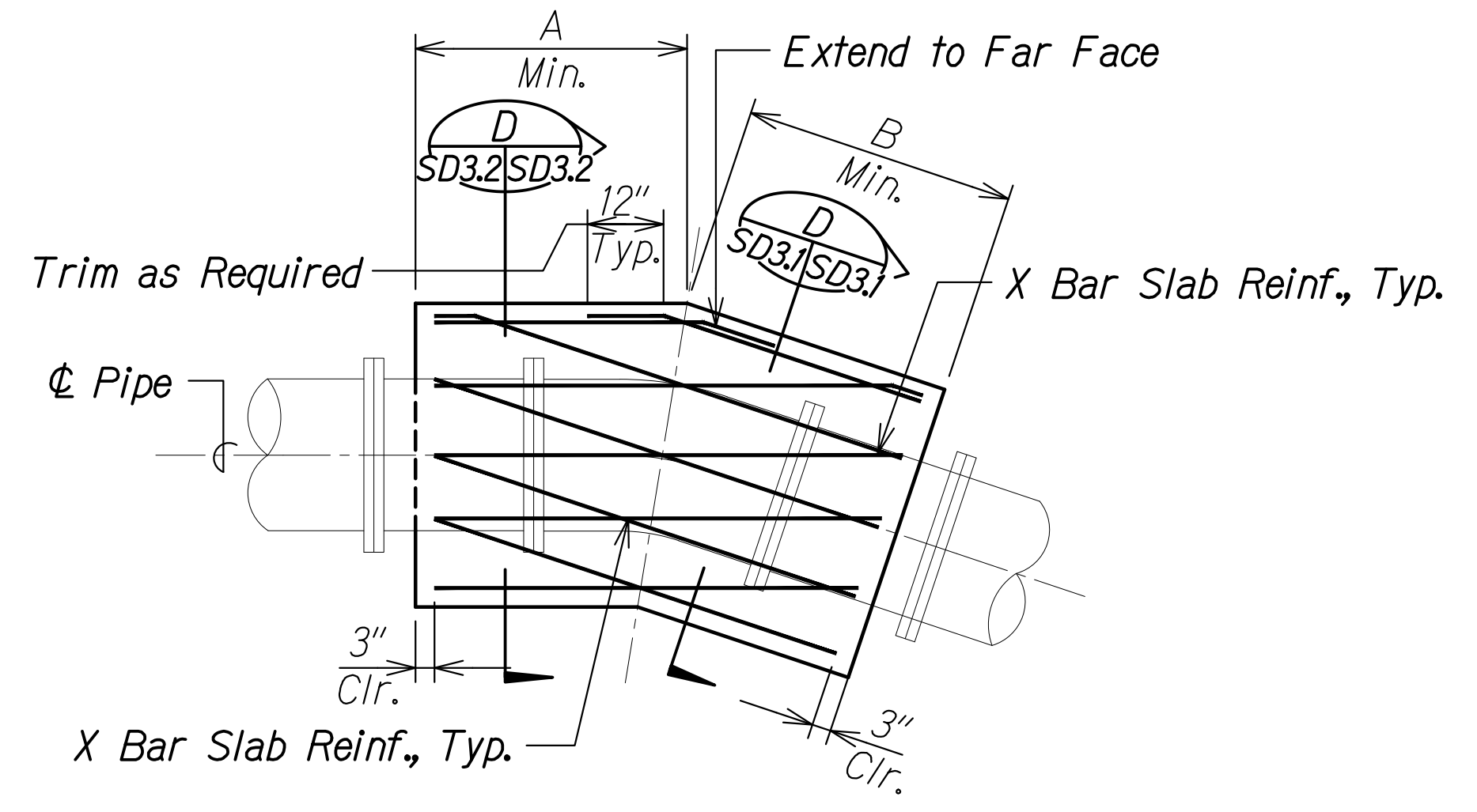
06/08/22	2 Revised notes and signature block
DATE	REVISION
STATE OF HAWAII DEPARTMENT OF TRANSPORTATION HIGHWAYS DIVISION Vertical Bend Pipe Jackets FARRINGTON HIGHWAY WIDENING Kapolei Golf Course Road to Fort Weaver Road Project No. 7101A-01-20	
Scale: As Shown	Date: Apr. 2022
SHEET No. SD3.1 OF 4 SHEETS	

THIS WORK WAS PREPARED BY ME OR UNDER MY SUPERVISION AND CONSTRUCTION OF THIS PROJECT WILL BE UNDER MY OBSERVATION.
 Signature: _____ April 30, 2024
 EXPIRATION DATE OF THE LICENSE

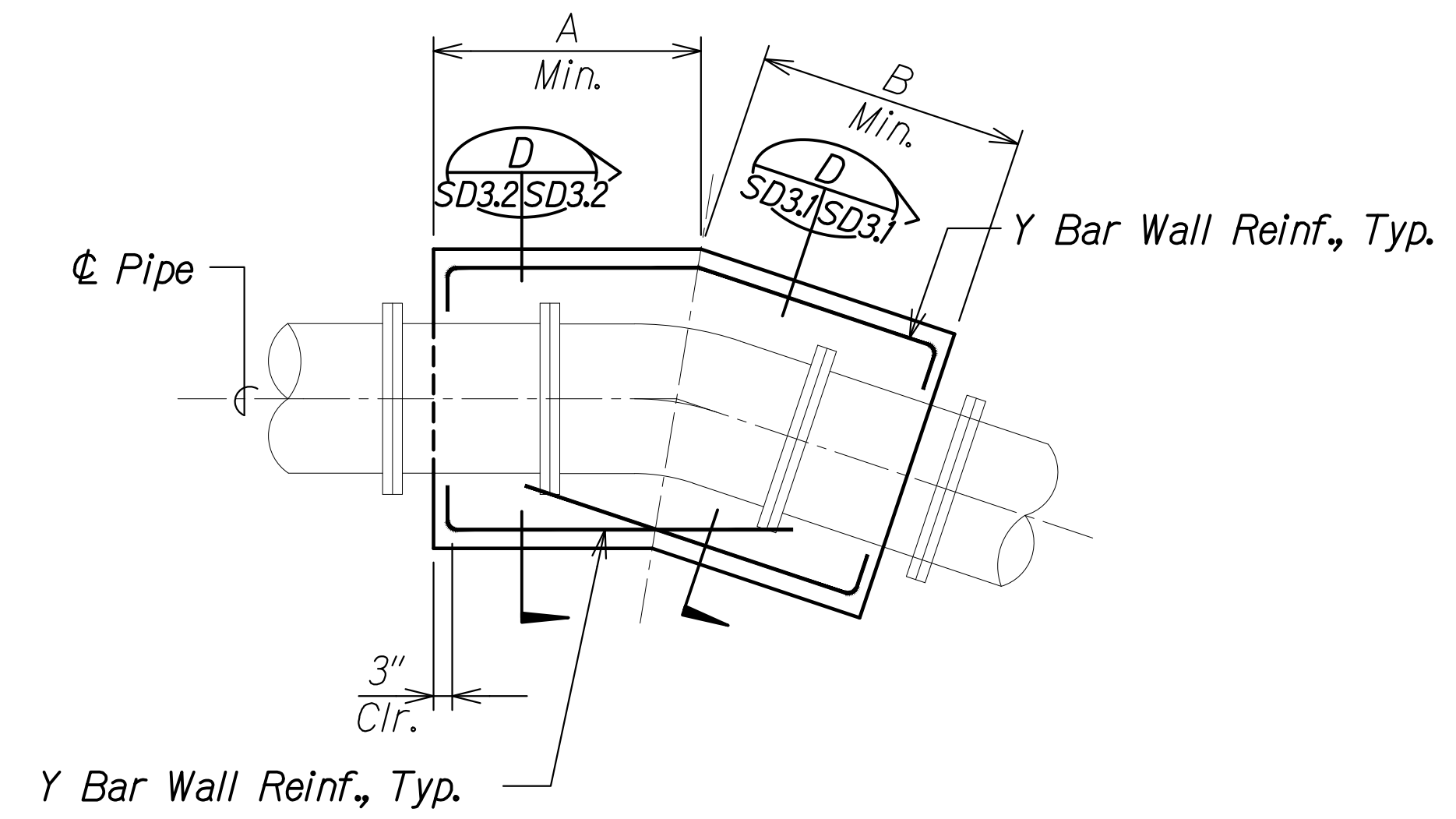
SURVEY PLOTTED BY	DATE
DRAWN BY	
DESIGNED BY	
QUANTITIES BY	
CHECKED BY	
ORIGINAL PLAN No.	

DRAWING NAME: 2A100 UNDOINGSD2-013-FARR-HW-KAPOLEI GC ID: ET-WR-EMTC101 CAD: 06-06-21 ADD1 DELTA2 (HW3-SD3.1) REF: JACKETS DEE - ADD - 1 DWG PLOT TIME: 06-06-22 4:24 PM

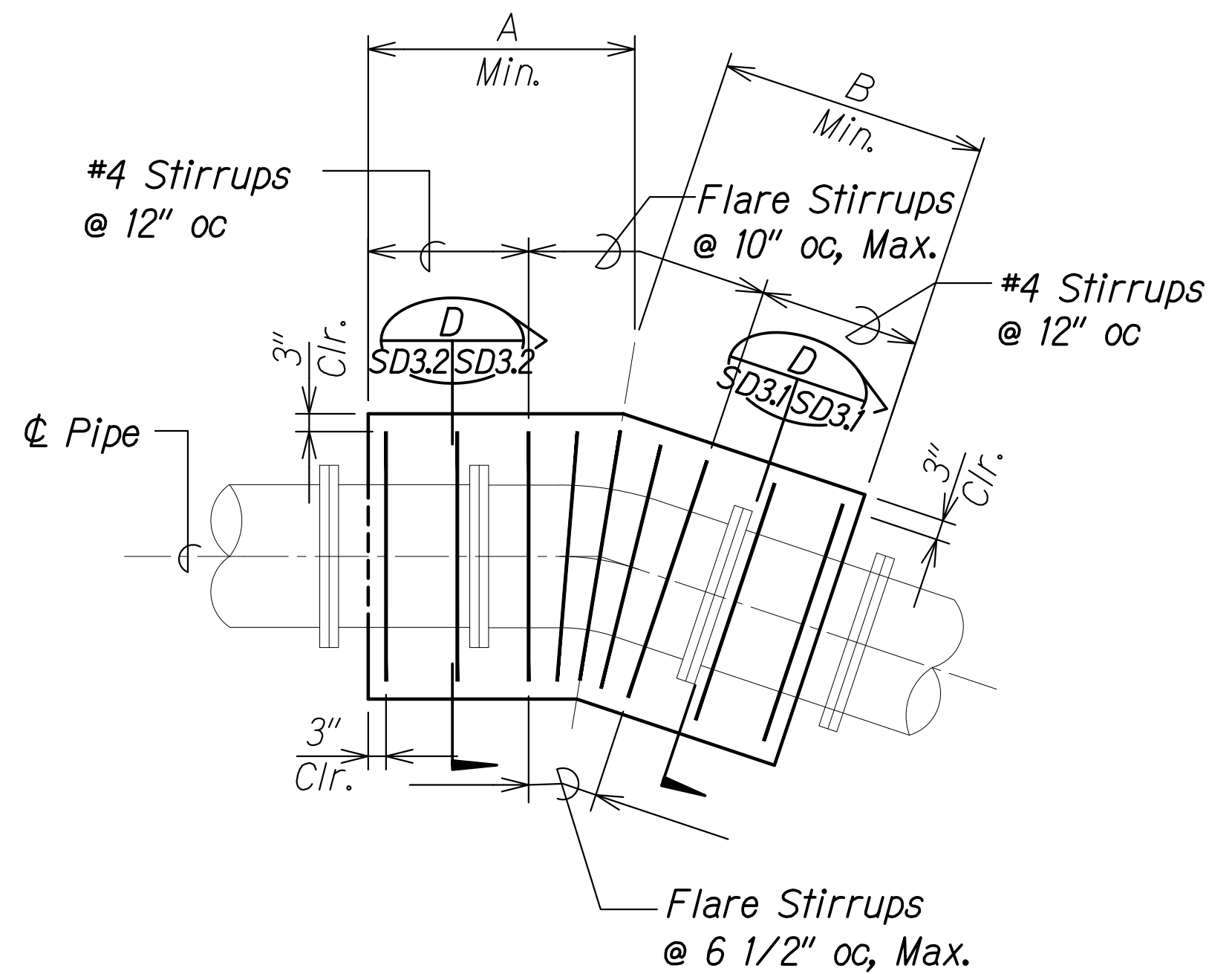
FED. ROAD DIST. NO.	STATE	PROJ. NO.	FISCAL YEAR	SHEET NO.	TOTAL SHEETS
HAWAII	HAW.	7101A-01-20	2021	ADD. 537	



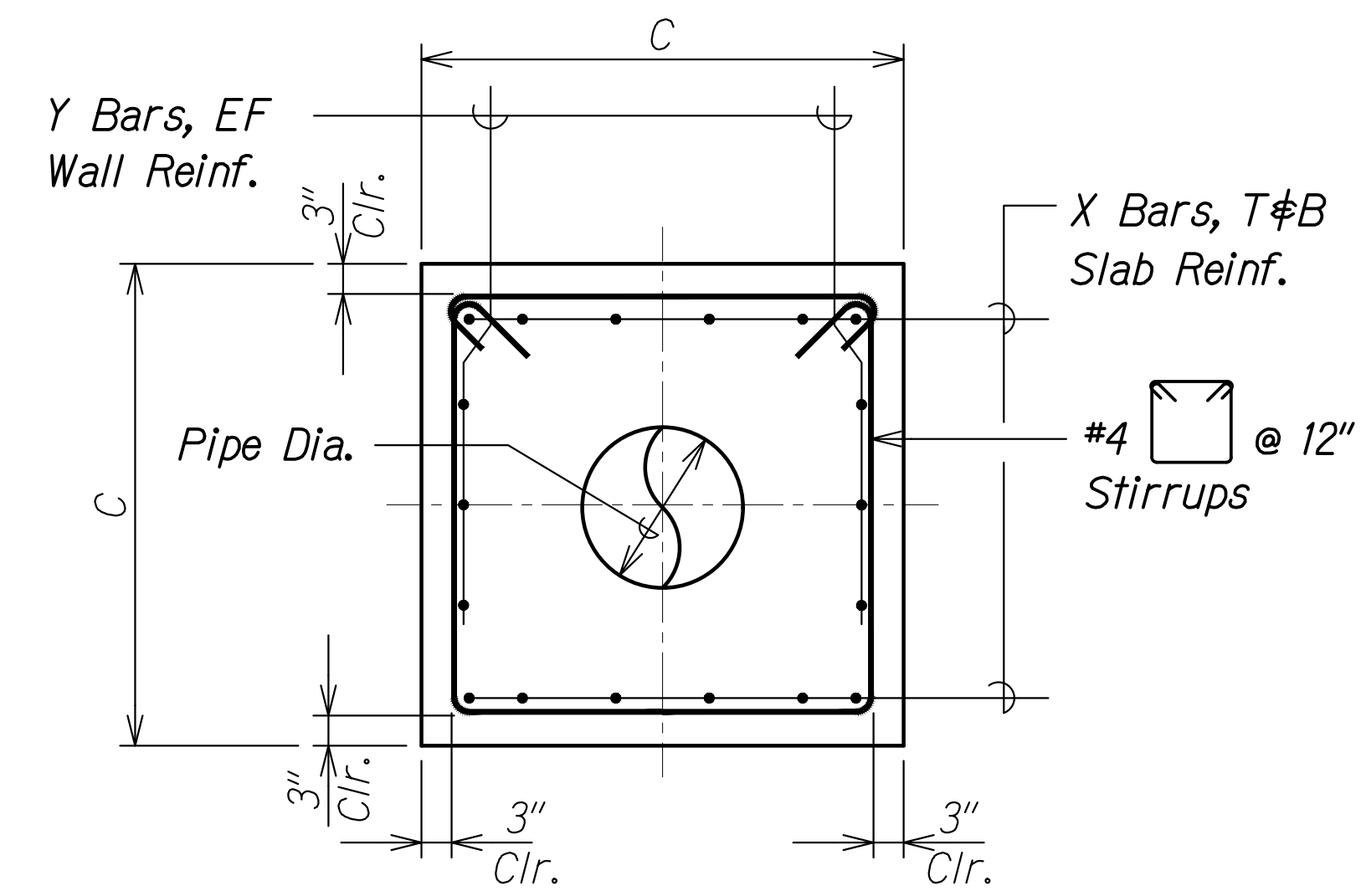
TOP AND BOTTOM SLAB REINF. A
Scale: 1/2" = 1'-0" SD3.2 | SD3.2



WALL REINFORCING B
Scale: 1/2" = 1'-0" SD3.2 | SD3.2



STIRRUP REINFORCING C
Scale: 1/2" = 1'-0" SD3.2 | SD3.2



TYPICAL HORIZONTAL PIPE JACKET SECTION D
Scale: 3/4" = 1'-0" SD3.2 | SD3.2

Notes:

1. Concrete shall develop a minimum 28-Day compressive strength of 4,000 psi, unless shown otherwise.
2. See Sheet S0.7 for reinforcement notes.
3. Pipe test pressure = 200 psi
4. Any soft soil encountered during excavation shall be removed to firm soil and replaced with compacted fill.
5. Concrete jackets shall attain full design strength prior to any pressure testing on pipes.
6. 1/4 maximum horizontal bends.
7. Allowable lateral bearing pressure = 3.0 ksf.
8. Location of face of jacket shall be flush with the bell for slip joints and set back from the joint for mechanical joints in accordance with the State of Hawaii, Water System Standards, 2002.

APPROVED: _____ DATE _____
Manager and Chief Engineer, BWS
(for work affecting BWS facilities in City/State R/W & BWS easements only)



THIS WORK WAS PREPARED BY ME OR UNDER MY SUPERVISION AND CONSTRUCTION OF THIS PROJECT WILL BE UNDER MY OBSERVATION.
Signature: *Russ S. Miyahara* April 30, 2024
EXPIRATION DATE OF THE LICENSE

SCHEDULE

PIPE DIAMETER	DIMENSIONS			REINFORCING		REMARKS
	A	B	C	X BAR	Y BAR	
16"	3'-0"	3'-0"	3'-2"	#6 @ 12"	#6 @ 12"	
20"	4'-3"	4'-3"	3'-6"	#6 @ 12"	#6 @ 10"	
30"	7'-5"	7'-5"	4'-6"	#6 @ 12"	#6 @ 6"	
36"	9'-8"	9'-8"	5'-0"	#7 @ 12"	#7 @ 6"	
42"	11'-11"	11'-11"	5'-6"	#7 @ 12"	#7 @ 4"	

06/08/22	2	Revised notes and signature block
DATE		REVISION

STATE OF HAWAII
DEPARTMENT OF TRANSPORTATION
HIGHWAYS DIVISION

Horizontal Bend Pipe Jackets

FARRINGTON HIGHWAY WIDENING
Kapolei Golf Course Road to Fort Weaver Road
Project No. 7101A-01-20

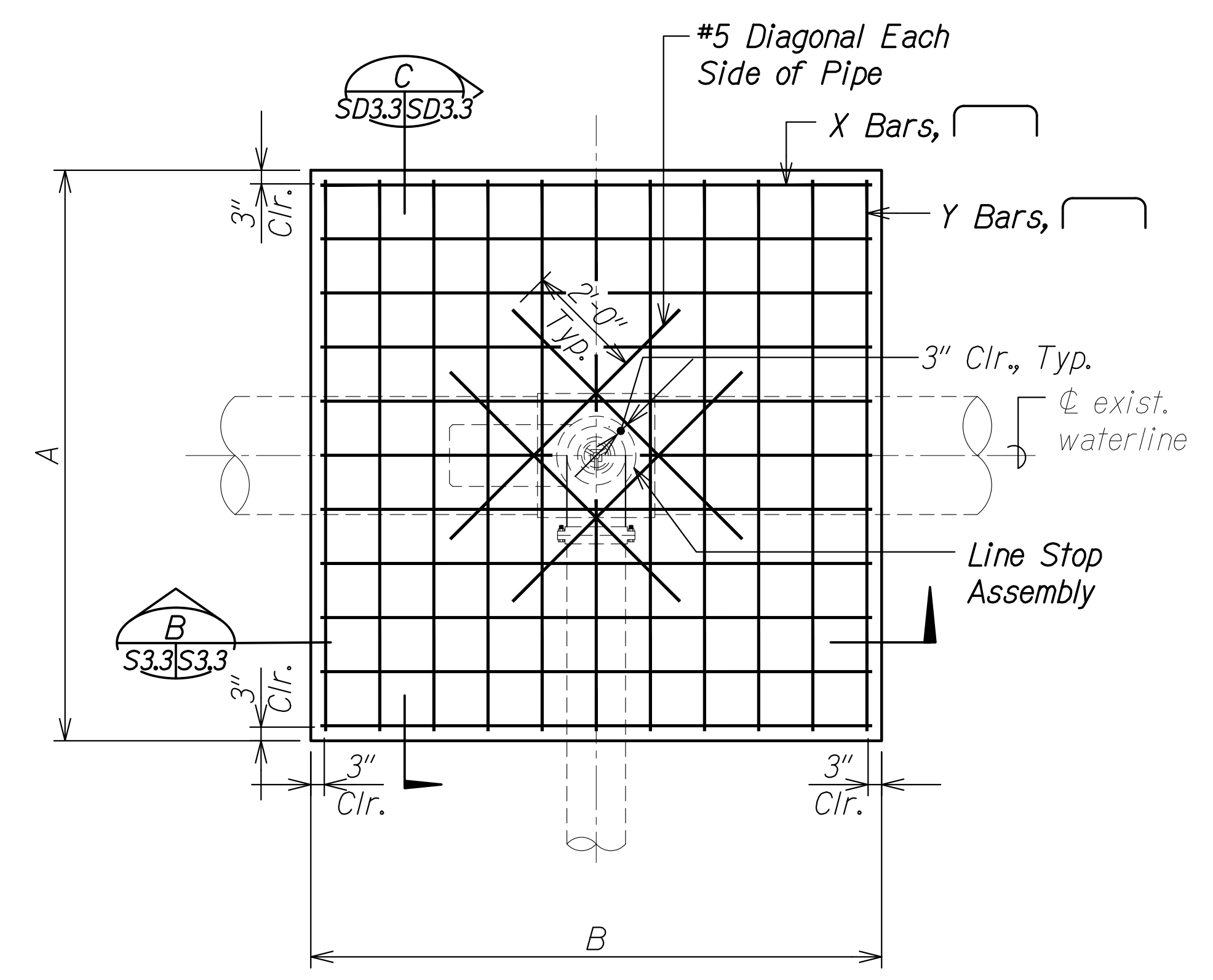
Scale: As Shown Date: Apr. 2022

SHEET No. SD32 OF 4 SHEETS

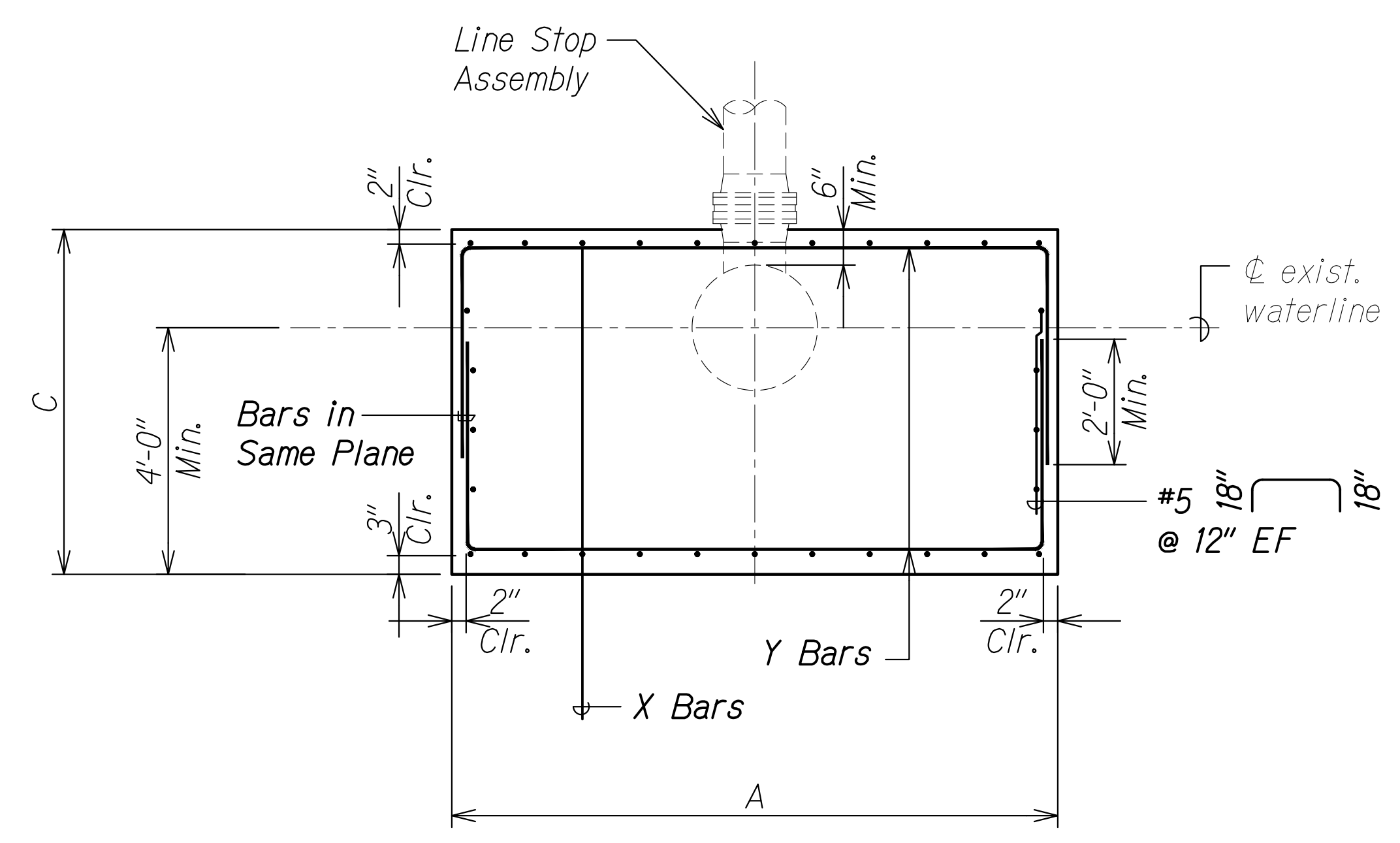
ORIGINAL PLAN	DATE
SURVEY PLOTTED BY	
DRAWN BY	
DESIGNED BY	
QUANTITIES BY	
CHECKED BY	
No.	

DRAWING NAME: Z:\00_ONGOING\20-013-FARR-HW-KAPOLEI GC ID: ET-WR-BMT\01 CAD\06-06-21 ADD1 DELI2A\FHW3-SD3.2 HD02 JACKETS DET - ADD. 1.DWG PLOT TIME: 06-06-22 4:27 PM

FED. ROAD DIST. NO.	STATE	PROJ. NO.	FISCAL YEAR	SHEET NO.	TOTAL SHEETS
HAWAII	HAW.	7101A-01-20	2021	ADD. 538	



LINE STOP CONCRETE SUPPORT BLOCK- PLAN
 Scale: 1/2" = 1'-0"
 SD3.3 | SD3.3

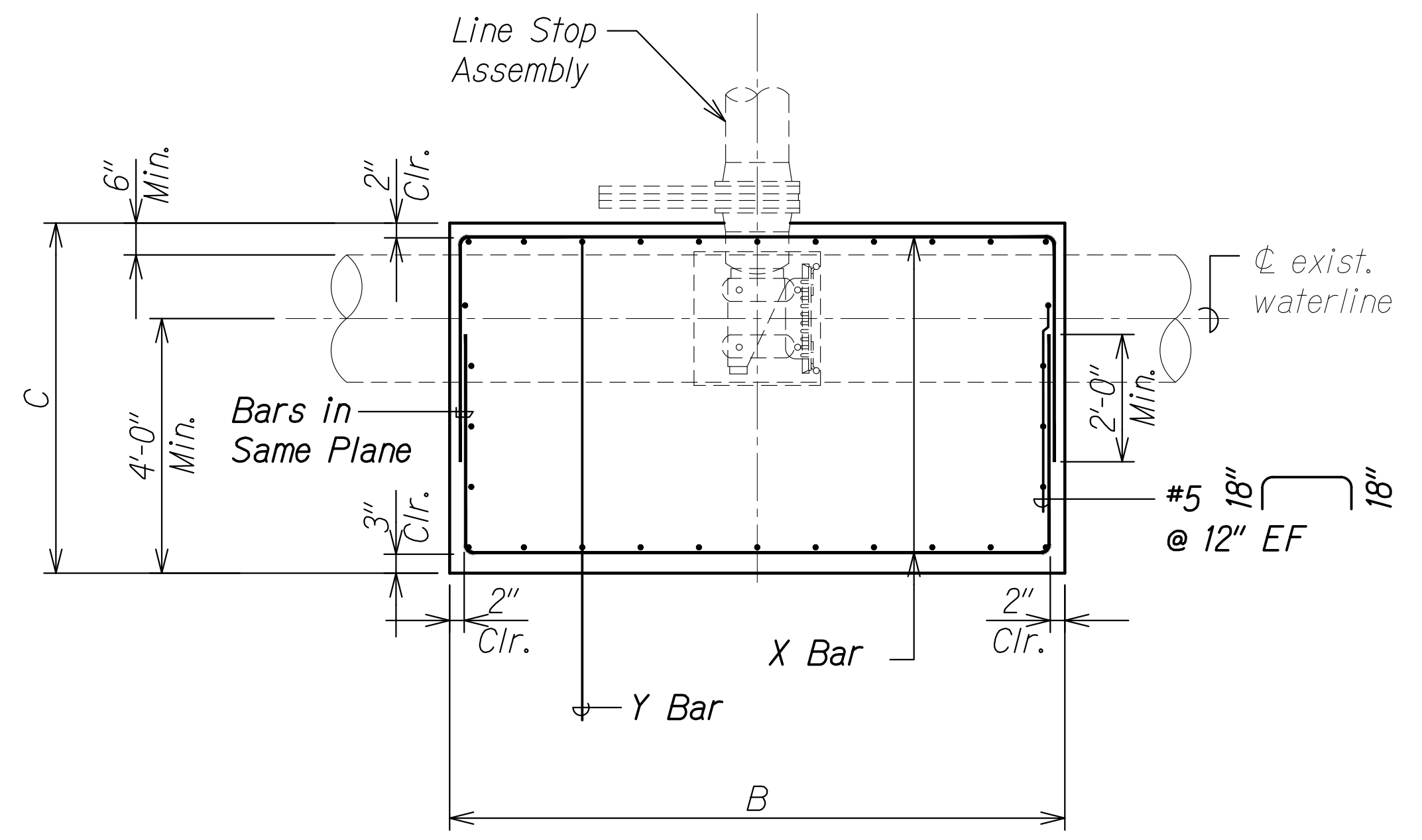


LINE STOP CONCRETE SUPPORT BLOCK- SECTION
 Scale: 1/2" = 1'-0"
 SD3.3 | SD3.3

Notes:

- Concrete shall develop a minimum 28-Day compressive strength of 4,000 psi, unless shown otherwise.
- See Sheet S0.7 for reinforcement notes.

APPROVED:
 Manager and Chief Engineer, BWS _____ DATE _____
 (for work affecting BWS facilities in City/State R/W & BWS easements only)

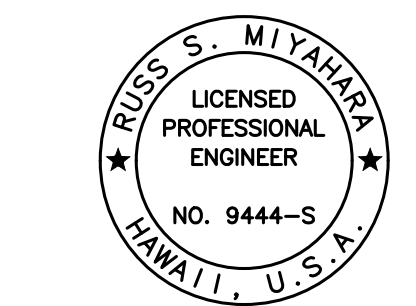


LINE STOP CONCRETE SUPPORT BLOCK- SECTION
 Scale: 1/2" = 1'-0"
 SD3.3 | SD3.3

LINE STOP CONCRETE SUPPORT BLOCK SCHEDULE						
PIPE DIAMETER	DIMENSIONS			REINFORCING		REMARKS
	A	B	C	X BAR	Y BAR	
20"	8'-2"	8'-2"	6'-6"	#5 @ 12" TφB	#5 @ 12" TφB	
24"	9'-8"	9'-8"	6'-8"	#6 @ 12" TφB	#6 @ 12" TφB	
30"	11'-10"	11'-10"	7'-1"	#6 @ 12" TφB	#6 @ 12" TφB	
36"	14'-0"	14'-0"	7'-6"	#7 @ 12" TφB	#7 @ 12" TφB	
42"	16'-0"	16'-0"	7'-10"	#7 @ 12" TφB	#7 @ 12" TφB	

ORIGINAL PLAN	DATE
DRAWN BY	
DESIGNED BY	
QUANTITIES BY	
CHECKED BY	

DRAWING NAME: Z:\A00\CONCRETE\20-013-FARR-HW-KAPOLEI.GC.ID.IT.WIP-RMT\01.GRD 06-06-21 ADD1 DELTAG\HWIS-SD0303 JACKETS DET - ADD - LDWG PLOT TIME: 06-06-22 4:59 PM



THIS WORK WAS PREPARED BY ME OR UNDER MY SUPERVISION AND CONSTRUCTION OF THIS PROJECT WILL BE UNDER MY OBSERVATION.
 Signature: _____
 April 30, 2024
 EXPIRATION DATE OF THE LICENSE

06/08/22	2 Added notes and revised signature block
DATE	REVISION

STATE OF HAWAII
 DEPARTMENT OF TRANSPORTATION
 HIGHWAYS DIVISION

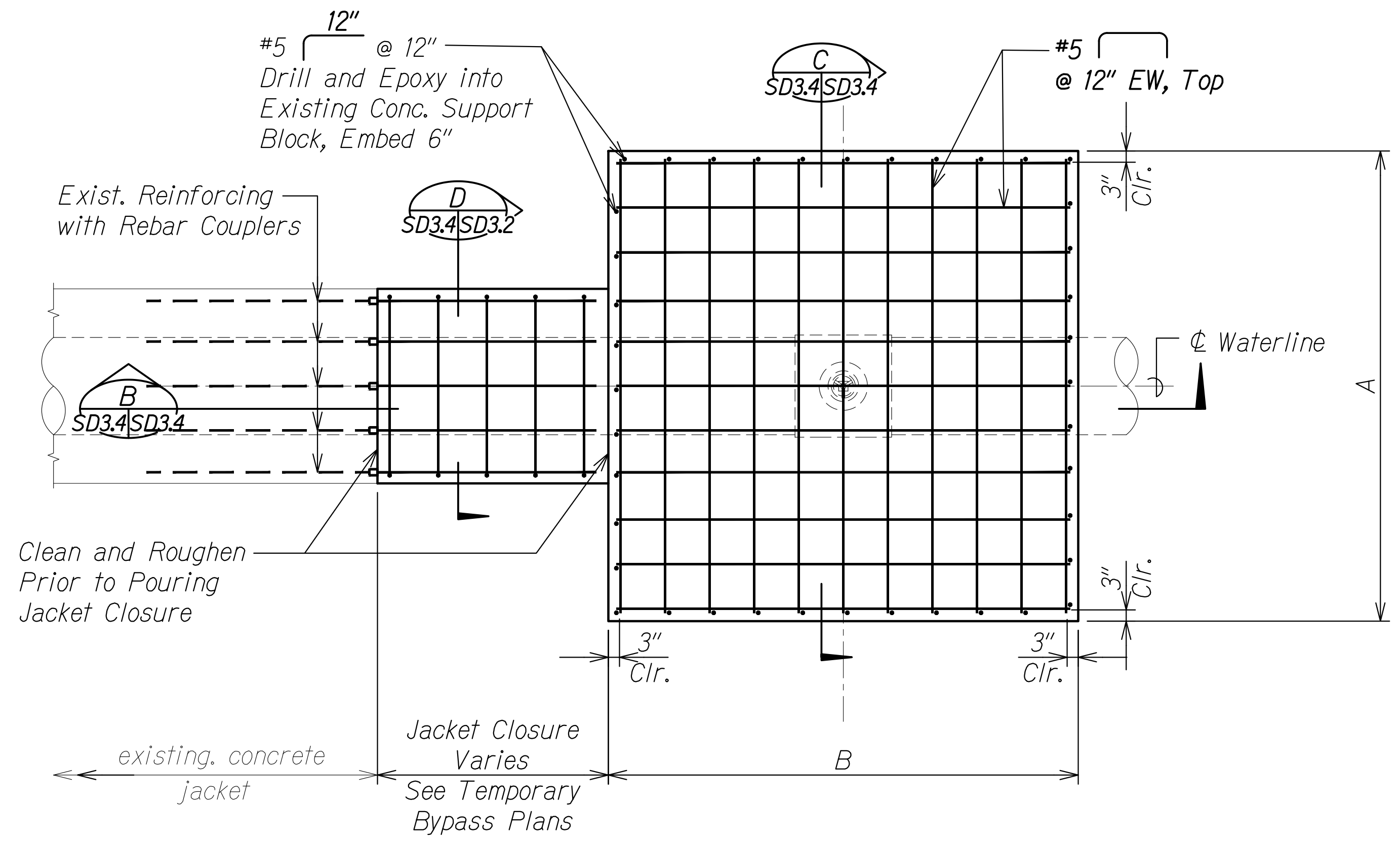
Temporary Line Stop Concrete Support Block Plan and Sections

FARRINGTON HIGHWAY WIDENING
 Kapolei Golf Course Road to Fort Weaver Road
 Project No. 7101A-01-20

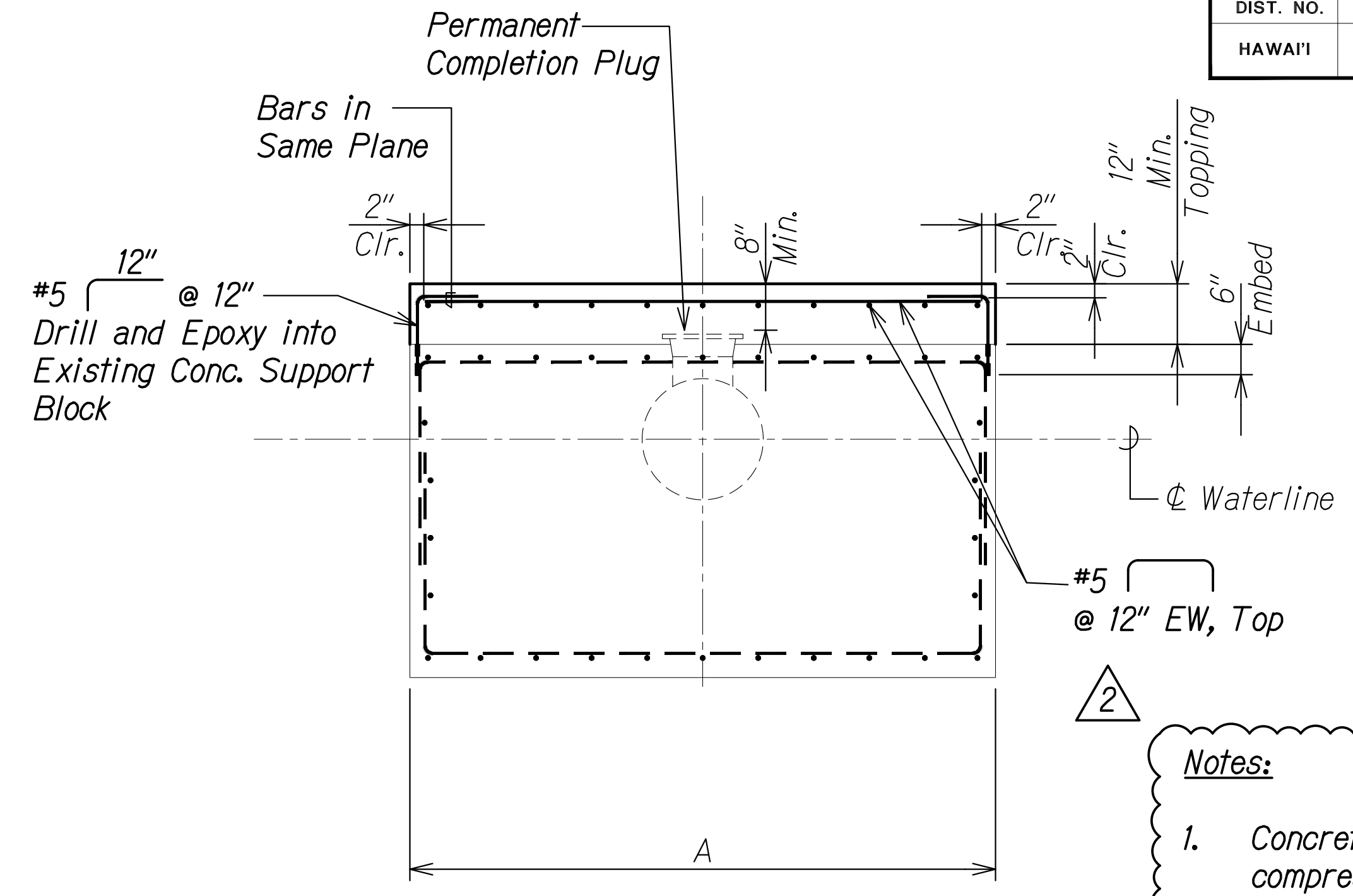
Scale: As Shown Date: Apr. 2022

SHEET No. SD3.3 OF 4 SHEETS

FED. ROAD DIST. NO.	STATE	PROJ. NO.	FISCAL YEAR	SHEET NO.	TOTAL SHEETS
HAWAII	HAW.	7101A-01-20	2021	ADD. 539	

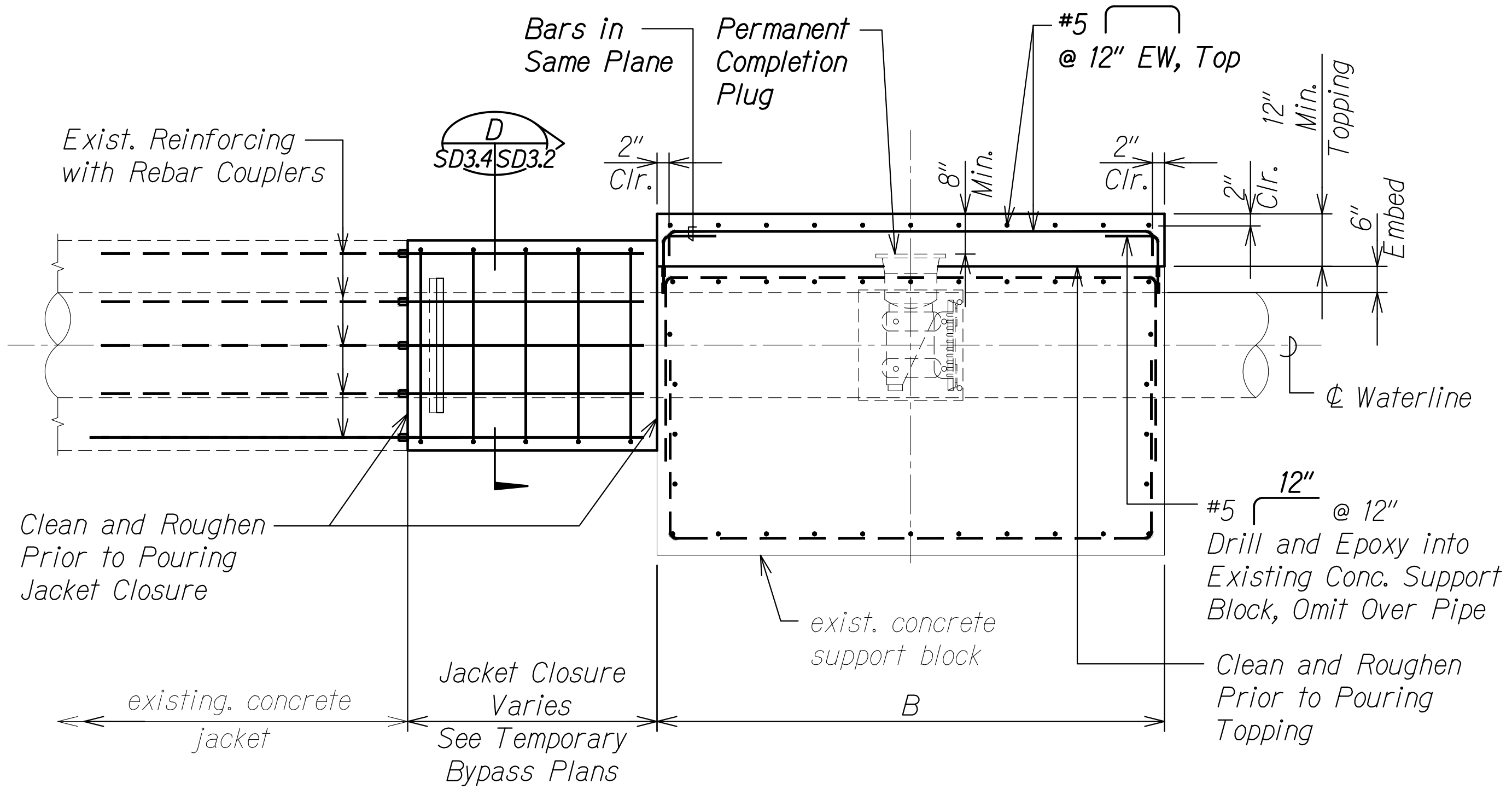


CONCRETE SUPPORT BLOCK TOPPING - PLAN
 Scale: 1/2" = 1'-0"
 SD3.4 SD3.4

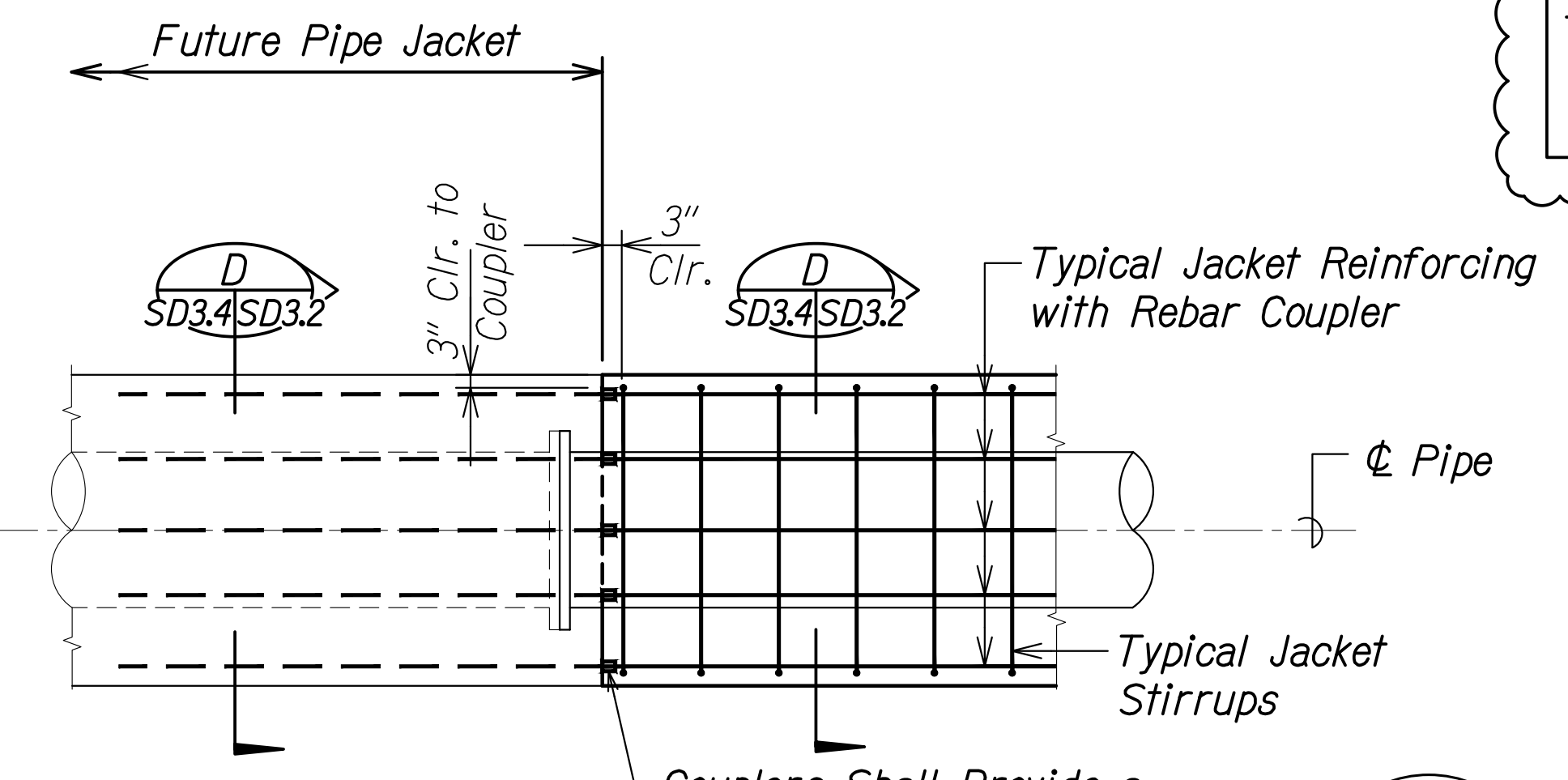


CONCRETE SUPPORT BLOCK TOPPING - SECTION
 Scale: 1/2" = 1'-0"
 SD3.4 SD3.4

- Notes:**
- Concrete shall develop a minimum 28-Day compressive strength of 4,000 psi, unless shown otherwise.
 - See Sheet S0.7 for reinforcement notes.



CONCRETE SUPPORT BLOCK TOPPING - SECTION
 Scale: 1/2" = 1'-0"
 SD3.3 SD3.3



JACKET SPLICE DETAIL
 Scale: 1/2" = 1'-0"
 SD3.4 SD3.4

APPROVED:
 Manager and Chief Engineer, BWS _____ DATE _____
 (for work affecting BWS facilities in City/State R/W & BWS easements only)

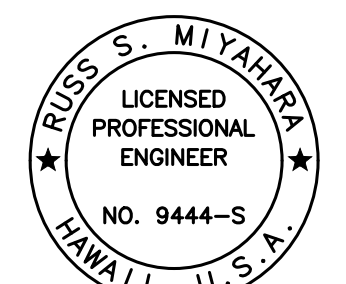
DATE	REVISION
06/08/22	Added notes and revised signature block

STATE OF HAWAII
 DEPARTMENT OF TRANSPORTATION
 HIGHWAYS DIVISION

Concrete Support Block Topping Plan and Sections

FARRINGTON HIGHWAY WIDENING
 Kapolei Golf Course Road to Fort Weaver Road
 Project No. 7101A-01-20

Scale: As Shown Date: Apr. 2022
 SHEET No. SD3.4 OF 4 SHEETS

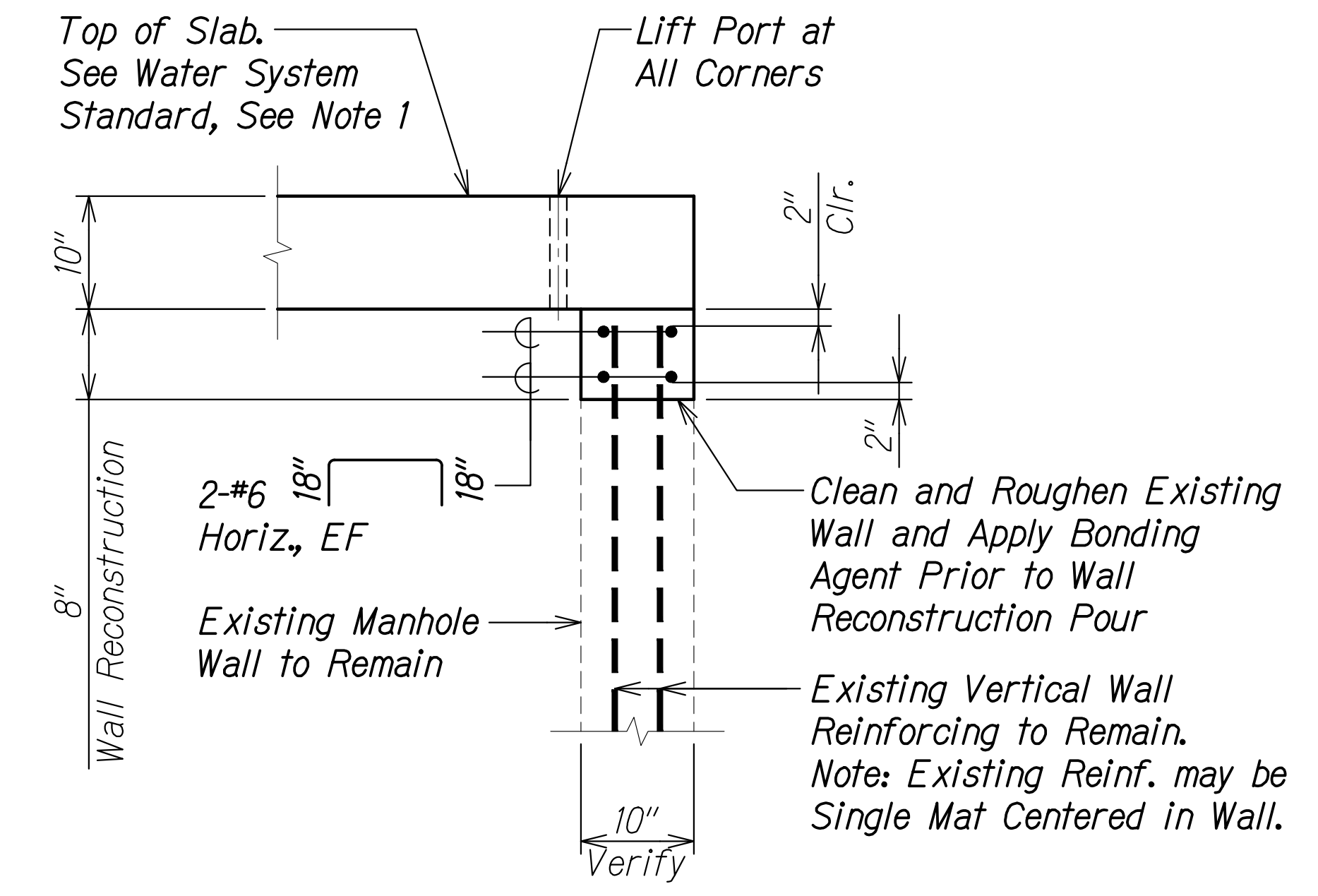
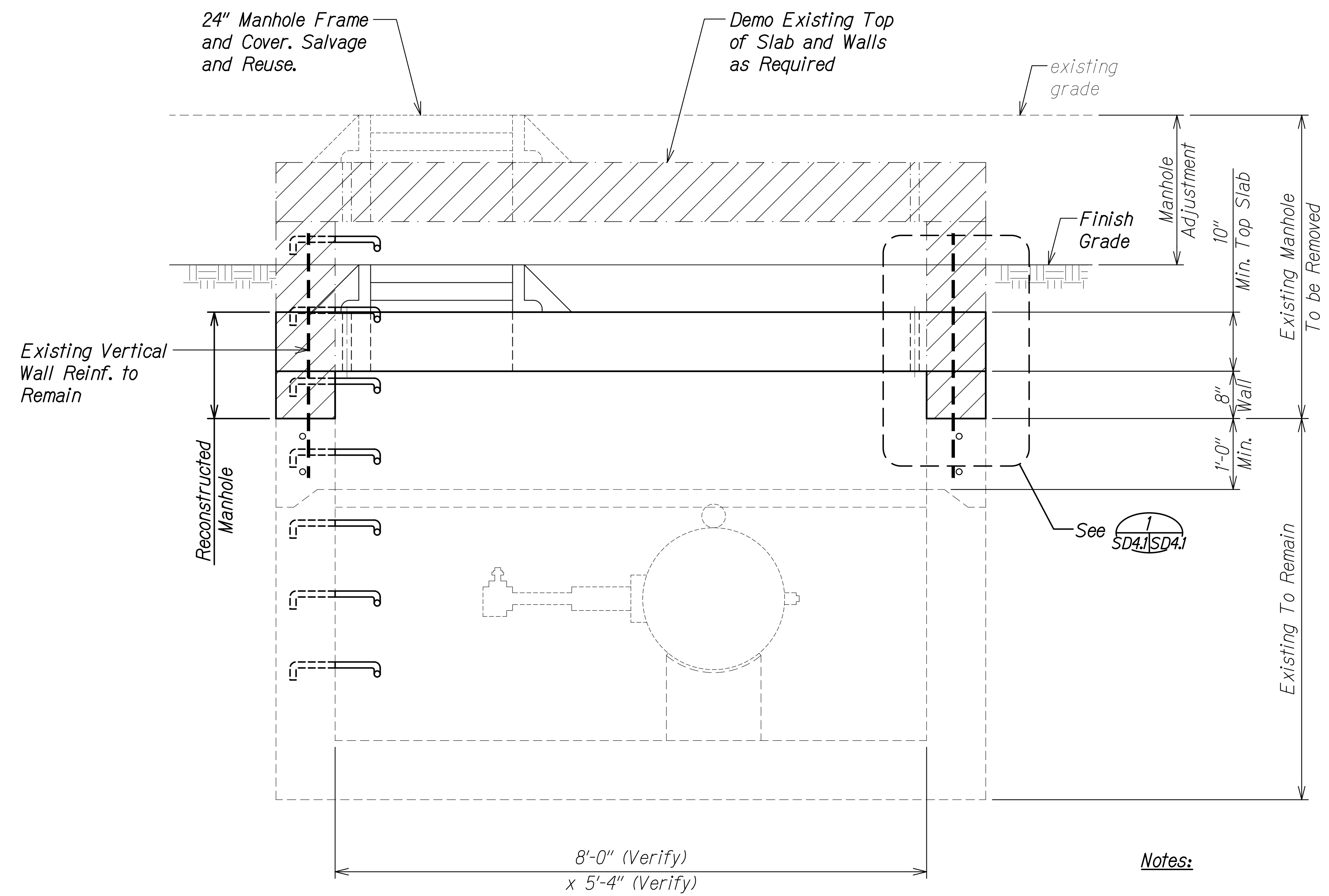


THIS WORK WAS PREPARED BY ME OR UNDER MY SUPERVISION AND CONSTRUCTION OF THIS PROJECT WILL BE UNDER MY OBSERVATION.
 Russ S. Miyahara
 April 30, 2024
 EXPIRATION DATE OF THE LICENSE

SURVEY PLOTTED BY	DATE
DRAWN BY	
DESIGNED BY	
QUANTITIES BY	
CHECKED BY	
ORIGINAL PLAN	
NOTE BOOK	
No.	

DRAWING NAME: 2A100 CONDUITS/2B-013-FARR-HWY-KAPOLEI GC TO FT WEAVER ROAD/01 CAD/06-08-21 ADD1 DEL/02/ENR/3-SD3.3-3 JACKETS DET - ADD - LOWG PLOT TIME: 06-08-22 4:59 PM

FED. ROAD DIST. NO.	STATE	PROJ. NO.	FISCAL YEAR	SHEET NO.	TOTAL SHEETS
HAWAII	HAW.	7101A-01-20	2021	ADD. 540	



MANHOLE RECONSTRUCTION DETAIL 1
 Scale: 1" = 1'-0" SD4.1 SD4.1

EXISTING TYPE "A" MANHOLE LOWERING A
 Scale: 1" = 1'-0" SD4.1 SD4.1

- Notes:**
- Contractor shall submit shop drawings for Type "A" manhole to BWS for approval.
 - Existing waterlines, valves and appurtenances shall be protected at all times during construction.

2

APPROVED:

Manager and Chief Engineer, BWS DATE

(for work affecting BWS facilities in City/State R/W & BWS easements only)

RUCS S. MIYAHARA
 LICENSED PROFESSIONAL ENGINEER
 NO. 9444-S
 HAWAII, U.S.A.

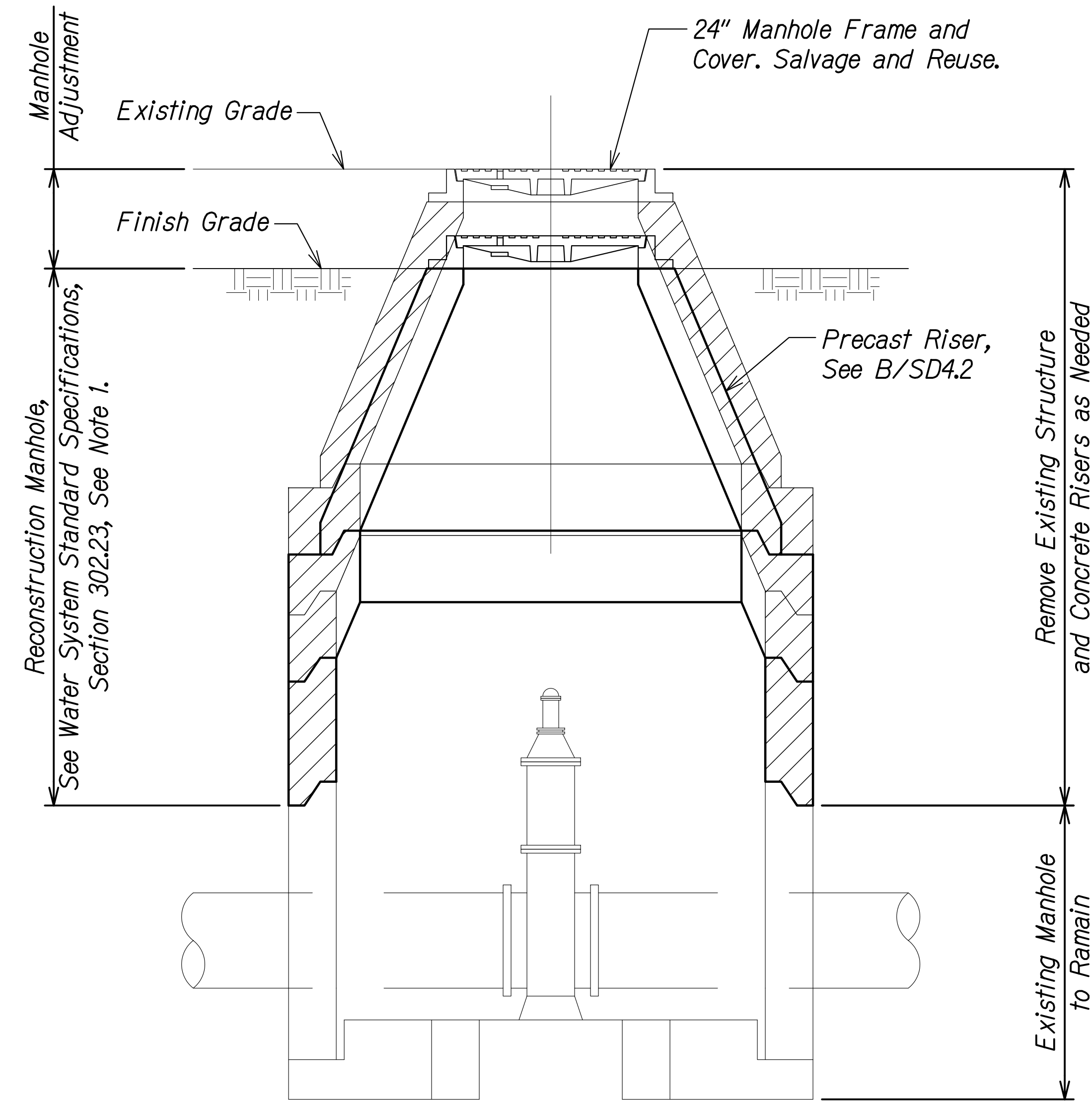
THIS WORK WAS PREPARED BY ME OR UNDER MY SUPERVISION AND CONSTRUCTION OF THIS PROJECT WILL BE UNDER MY OBSERVATION.
 Signature: *RUCS S. Miyahara* April 30, 2024
 EXPIRATION DATE OF THE LICENSE

06/08/22	2	Revised signature block
DATE	REVISION	
STATE OF HAWAII DEPARTMENT OF TRANSPORTATION HIGHWAYS DIVISION Type "A" Manhole Adjustment Section and Detail FARRINGTON HIGHWAY WIDENING Kapolei Golf Course Road to Fort Weaver Road Project No. 7101A-01-20		
Scale: As Shown	Date: Apr. 2022	
SHEET No. SD4.1 OF 2 SHEETS		

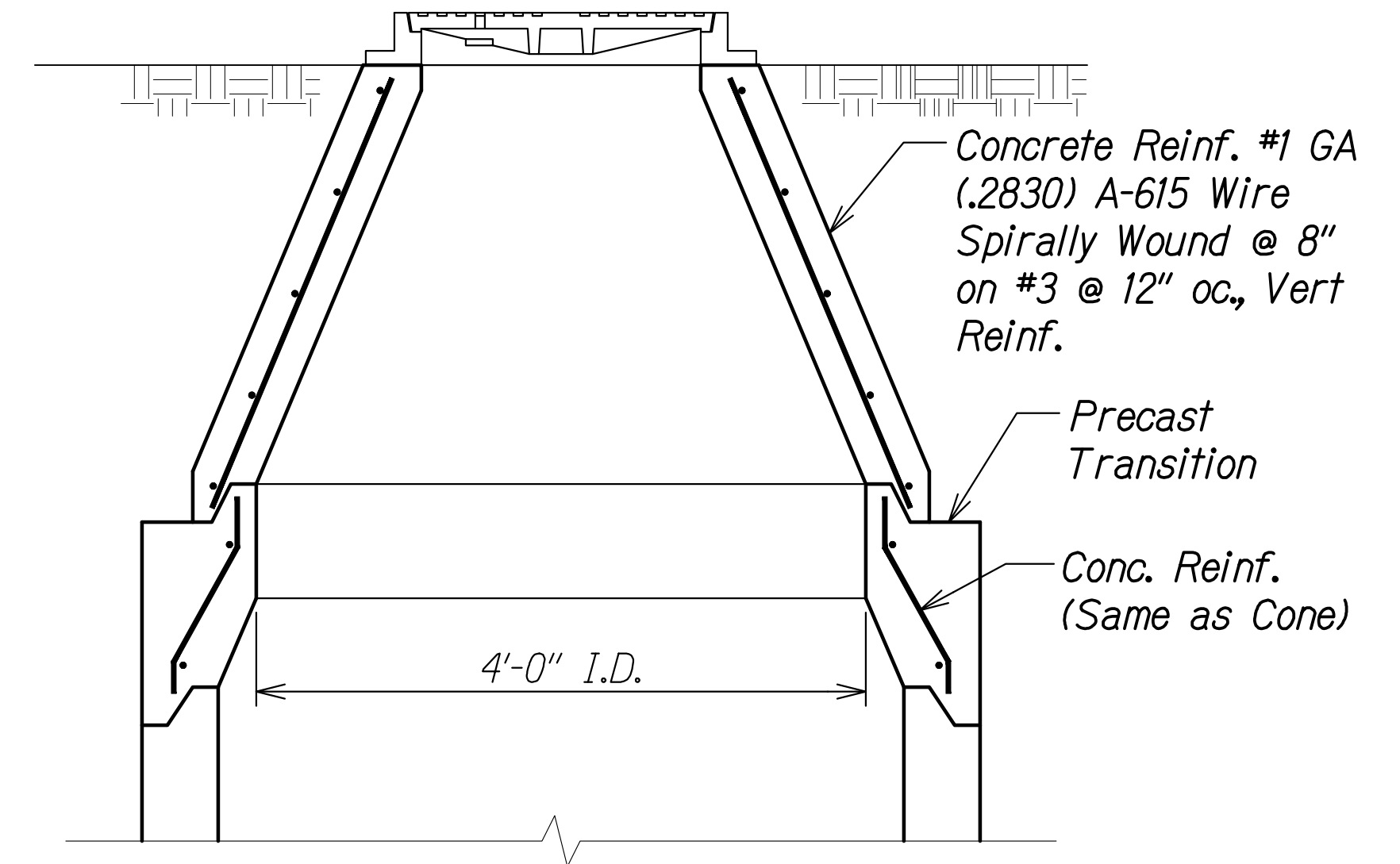
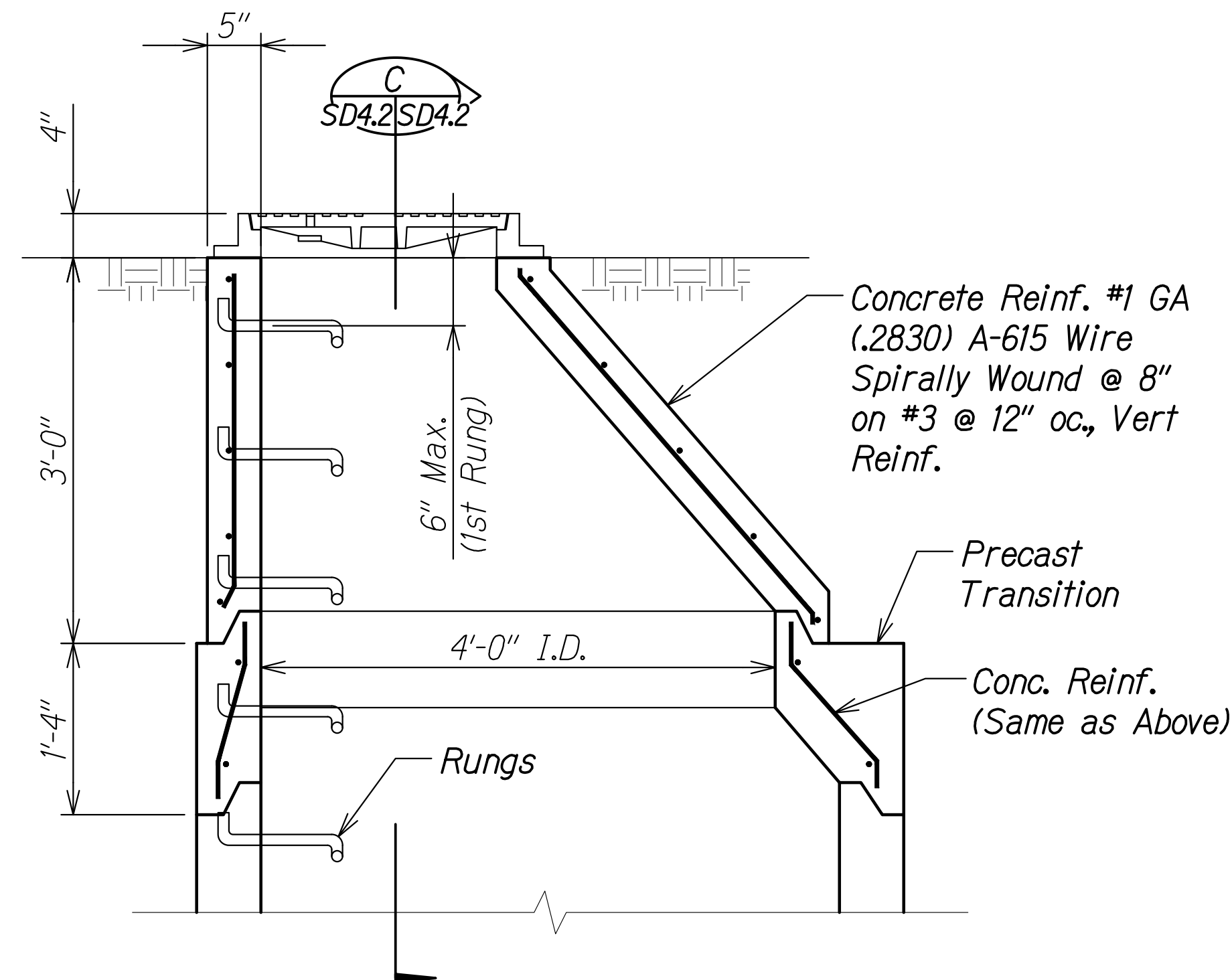
SURVEY PLOTTED BY	DATE
DRAWN BY	
DESIGNED BY	
QUANTITIES BY	
CHECKED BY	
ORIGINAL PLAN	
NOTE BOOK	
No.	

DRAWING NAME: Z:\00_ONGOINGS\20-013-FARR-HWY-KAPOLEI\GC_ID_ET_W\B-EMTC\01_GAD\06-06-21_ADD1_DELT2\EMTS-SD4.1-TYPE A MH ADJ - ADD. 1.DWG PLOT TIME: 06-06-22 4:31 PM

FED. ROAD DIST. NO.	STATE	PROJ. NO.	FISCAL YEAR	SHEET NO.	TOTAL SHEETS
HAWAII	HAW.	7101A-01-20	2021	ADD. 541	



EXISTING TYPE "B" PRECAST MANHOLE LOWERING
 Scale: 1" = 1'-0"
 A SD4.2 SD4.2



SECTION C
 Scale: 1" = 1'-0" SD4.2 SD4.2

TYPE "B" MANHOLE
 Scale: 1" = 1'-0" SD4.2 SD4.2

Notes:

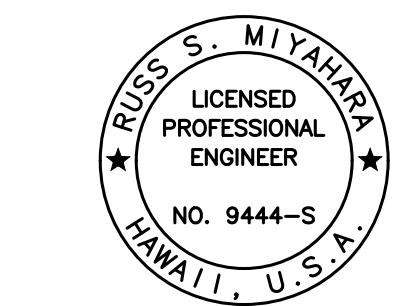
- Contractor shall submit shop drawings for Type "B" manhole to BWS for approval.
- Existing waterlines, valves and appurtenances shall be protected at all times during construction.

SURVEY PLOTTED BY	DATE
DRAWN BY	
DESIGNED BY	
QUANTITIES BY	
CHECKED BY	

DRAWING NAME: Z:\00 ONGOING\20-013-FARR-HWY-KAPOLEI\GE.ID.IT.WP8-EMTC\01-CA\06-06-21-ADD1-DELTA2\HWY3-SD402-TYPE B MH ADJ - ADD. 1.DWG PLOT TIME: 06-06-22: 4:31 PM

2

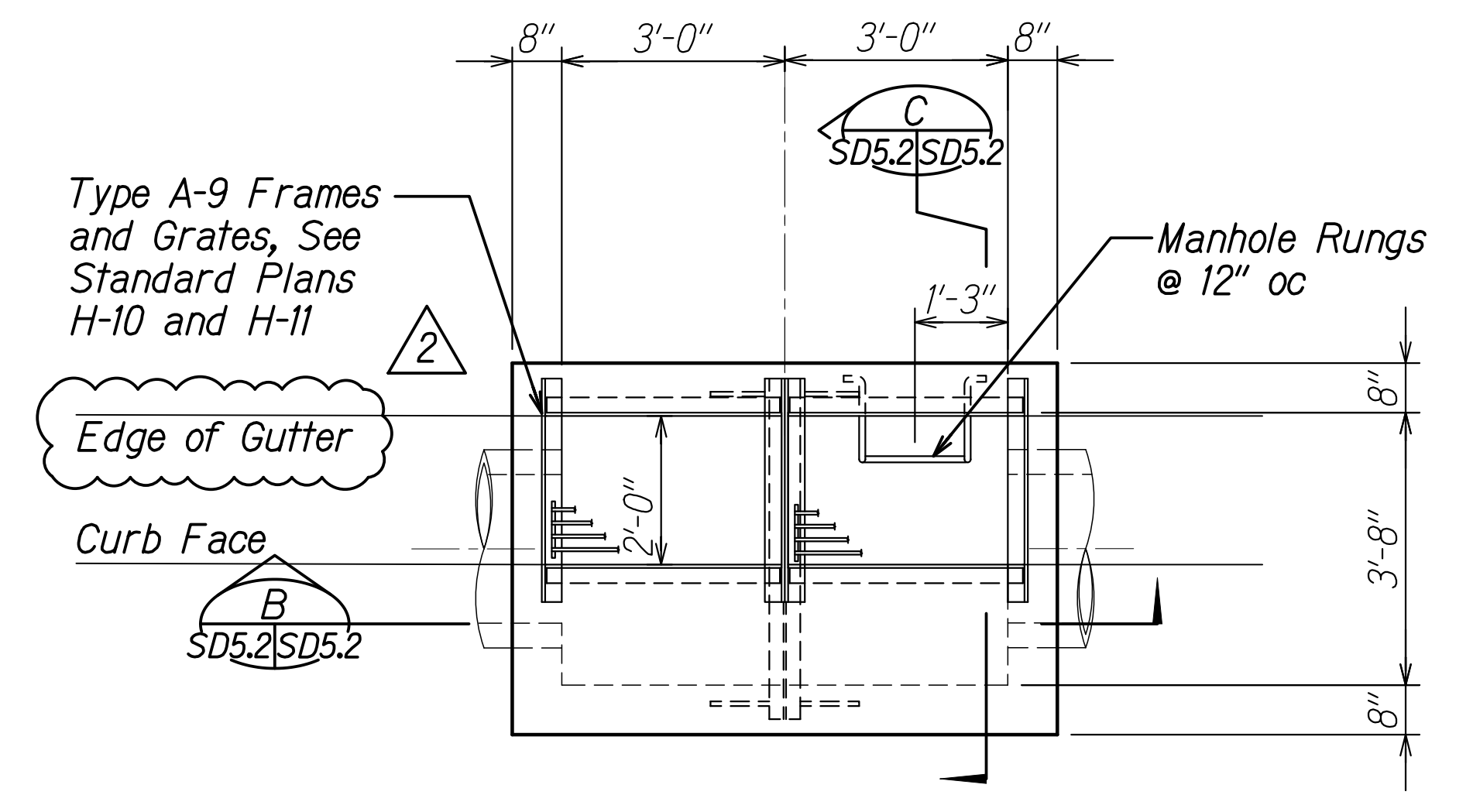
APPROVED:
 _____ DATE _____
 Manager and Chief Engineer, BWS
 (for work affecting BWS facilities in
 City/State R/W & BWS easements only)



THIS WORK WAS PREPARED BY ME OR UNDER MY SUPERVISION AND CONSTRUCTION OF THIS PROJECT WILL BE UNDER MY OBSERVATION.
 Signature: _____
 April 30, 2024
 EXPIRATION DATE OF THE LICENSE

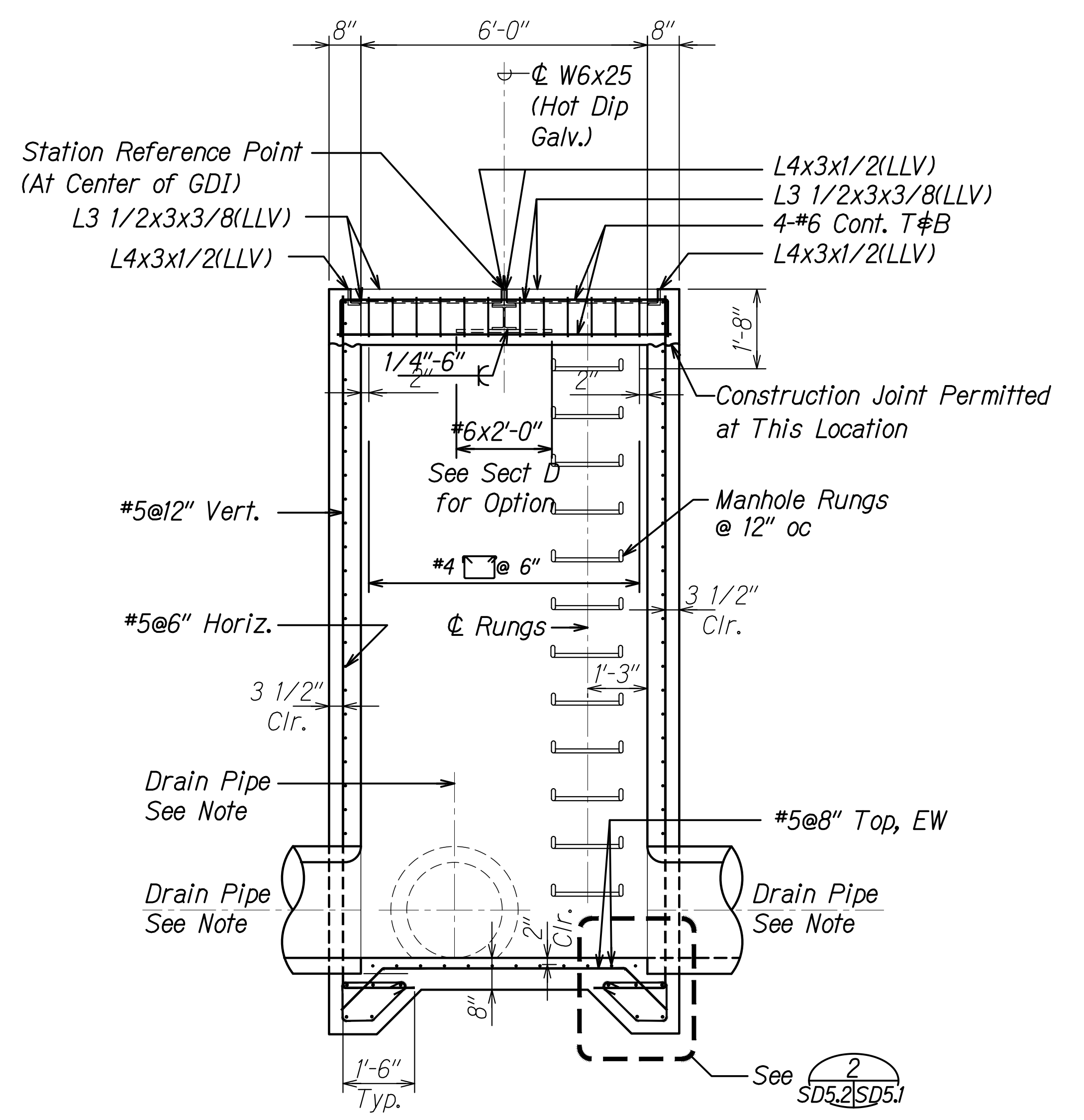
06/08/22	2	Revised signature block
DATE	REVISION	
STATE OF HAWAII DEPARTMENT OF TRANSPORTATION HIGHWAYS DIVISION Type "B" Manhole Adjustment Section FARRINGTON HIGHWAY WIDENING Kapolei Golf Course Road to Fort Weaver Road Project No. 7101A-01-20		
Scale: As Shown	Date: Apr. 2022	
SHEET No. SD4.2 OF 2 SHEETS		

FED. ROAD DIST. NO.	STATE	PROJ. NO.	FISCAL YEAR	SHEET NO.	TOTAL SHEETS
HAWAII	HAW.	7101A-01-20	2021	ADD. 543	

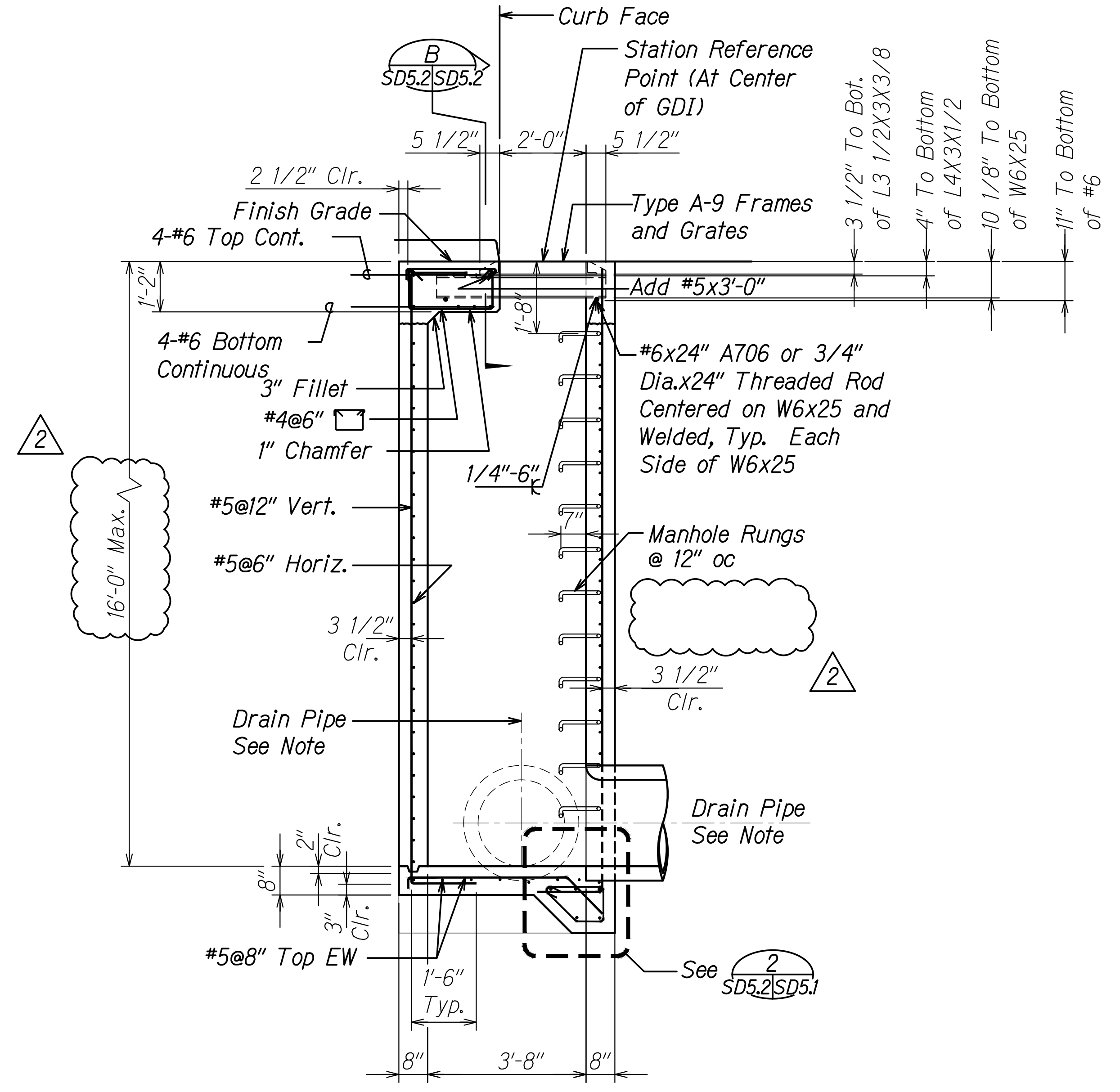


PLAN - MODIFIED GRATED DROP INLET
 Scale: 1/2" = 1'-0"
 SD5.2 SD5.2

Note:
 See Civil drawings for pipe size and locations.



SECTION - MODIFIED GRATED DROP INLET
 Scale: 1/2" = 1'-0"
 SD5.2 SD5.2



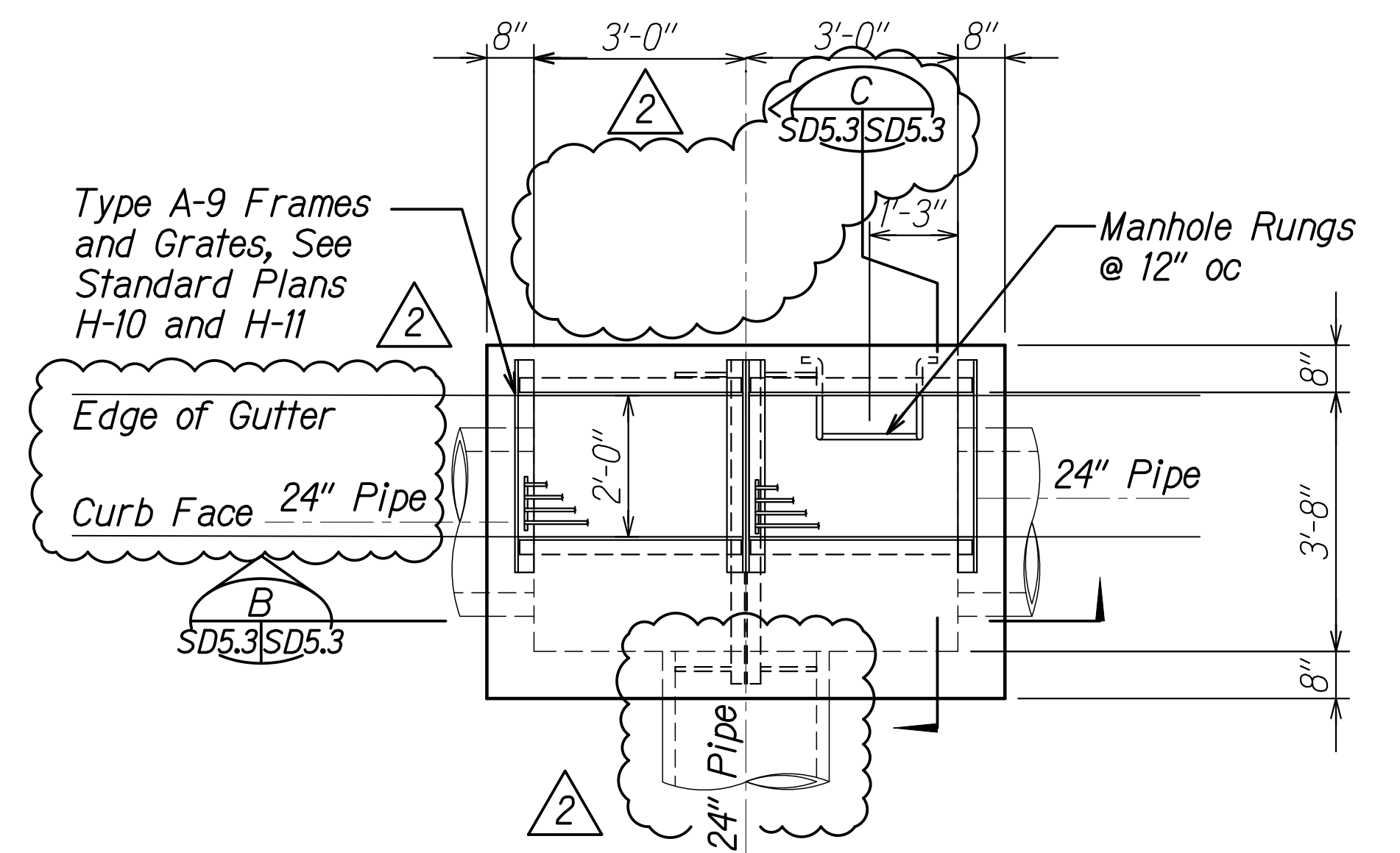
SECTION - MODIFIED GRATED DROP INLET
 Scale: 1/2" = 1'-0"
 SD5.2 SD5.2

ORIGINAL PLAN	DATE
DRAWN BY	
DESIGNED BY	
QUANTITIES BY	
CHECKED BY	

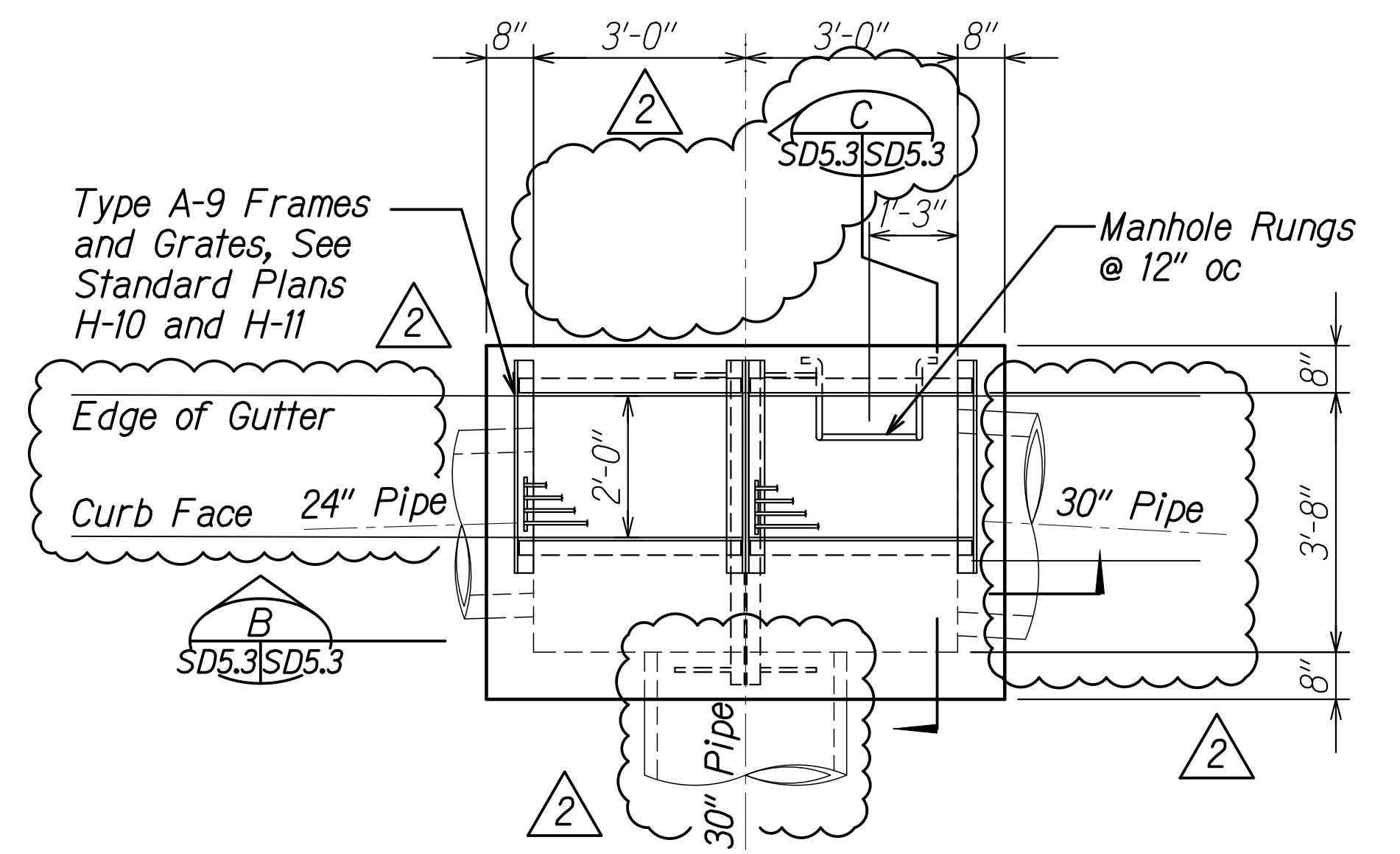
DRAWING NAME: Z:\00_000000\20-013-FARR-HWY-KAPOLEI-GC-10-ET-WP-RMT(C)01-GAD-06-06-21-ADD1-DELTA2(FHW3-SD0502-GDI)-ADD-1.DWG PLOT TIME: 06-06-22, 4:37 PM

06/08/22	2	Revised callouts
DATE	REVISION	
STATE OF HAWAII DEPARTMENT OF TRANSPORTATION HIGHWAYS DIVISION		
Modified Grated Drop Inlet		
FARRINGTON HIGHWAY WIDENING Kapolei Golf Course Road to Fort Weaver Road Project No. 7101A-01-20		
Scale: As Shown	Date: Apr. 2022	
SHEET No. SD5.2 OF		SHEETS

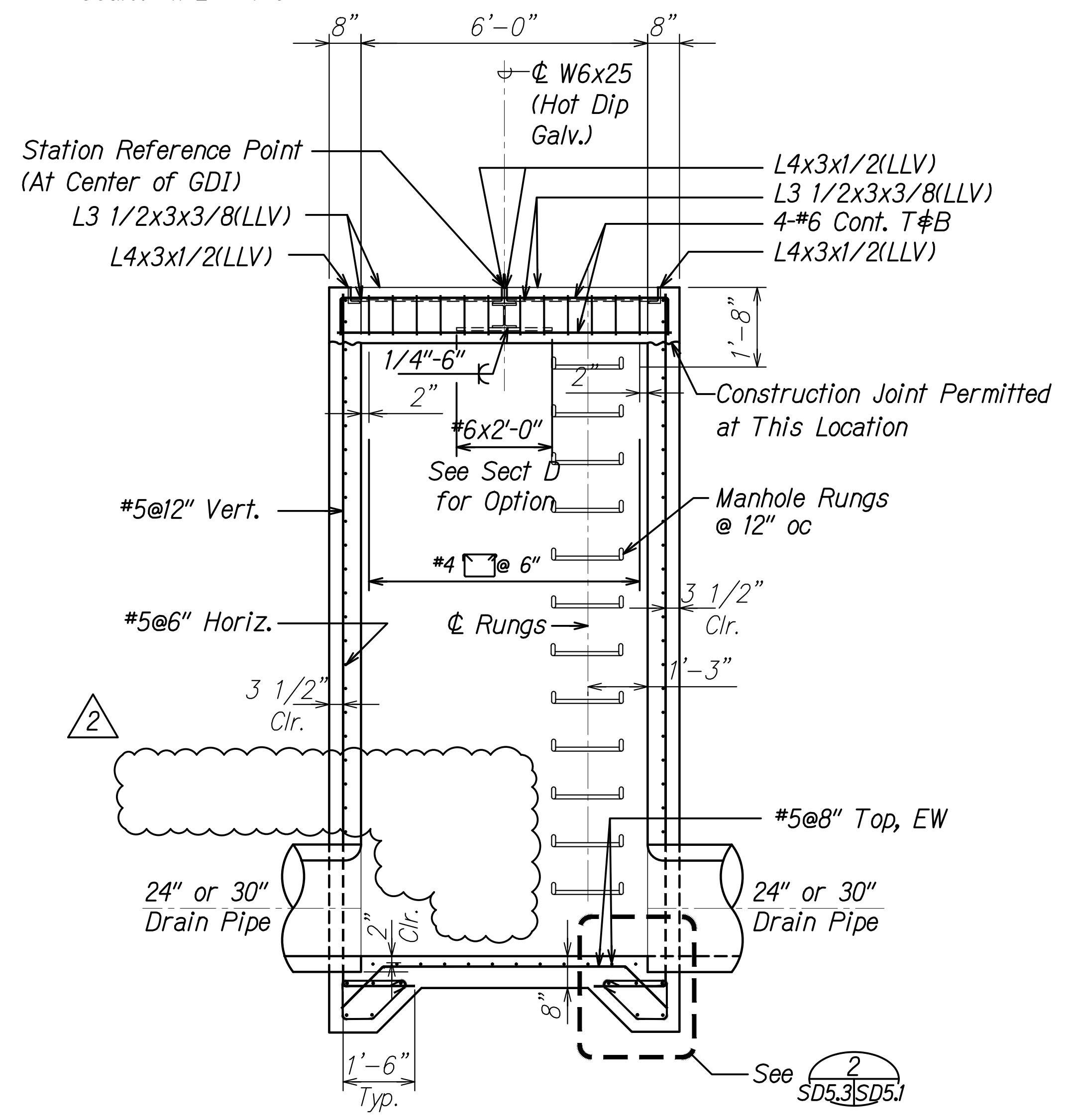
FED. ROAD DIST. NO.	STATE	PROJ. NO.	FISCAL YEAR	SHEET NO.	TOTAL SHEETS
HAWAII	HAW.	7101A-01-20	2021	ADD. 544	



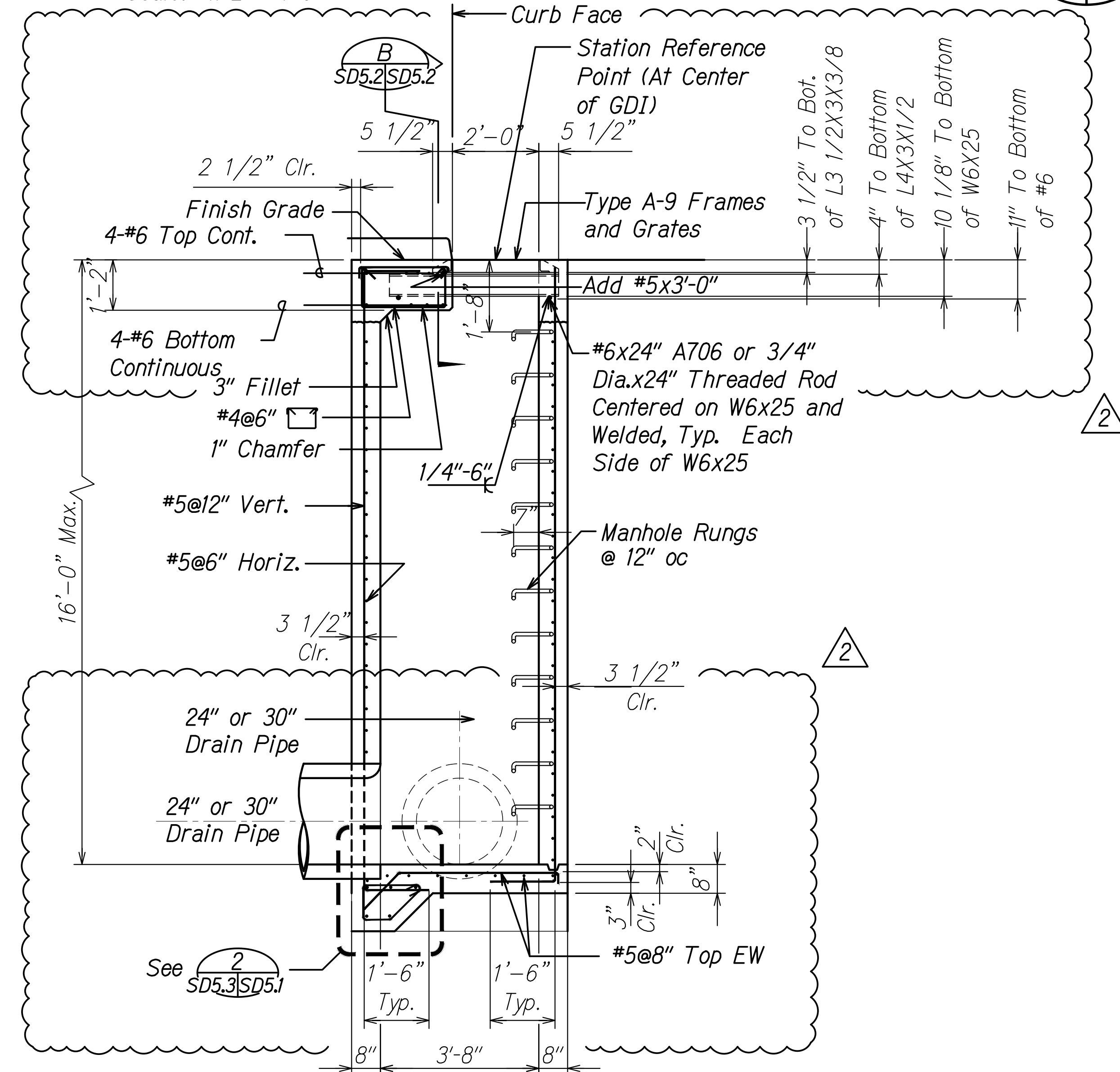
PLAN - SPECIAL GRATED DROP INLET (GDI B2)
 Scale: 1/2" = 1'-0"
 SD5.3 SD5.3



PLAN - SPECIAL GRATED DROP INLET (GDI D2)
 Scale: 1/2" = 1'-0"
 SD5.3 SD5.3



SECTION - SPECIAL GRATED DROP INLET
 Scale: 1/2" = 1'-0"
 SD5.3 SD5.3



SECTION - SPECIAL GRATED DROP INLET
 Scale: 1/2" = 1'-0"
 SD5.3 SD5.3

ORIGINAL PLAN	DATE
DRAWN BY	
DESIGNED BY	
QUANTITIES BY	
CHECKED BY	

DRAWING NAME: Z:\ADD\CONCRETE\20-013-FARR-HWY-KAPOLEI.GD.Dwg DATE: 06-08-22 4:40 PM PLOT TIME: 06-08-22 4:40 PM

06/08/22	2	Revised pipe and curb face location
DATE	REVISION	
STATE OF HAWAII DEPARTMENT OF TRANSPORTATION HIGHWAYS DIVISION Special Grated Drop Inlet B2 and D2 FARRINGTON HIGHWAY WIDENING Kapolei Golf Course Road to Fort Weaver Road Project No. 7101A-01-20		
Scale: As Shown	Date: Apr. 2022	
SHEET No. SD5.3 OF 3 SHEETS		